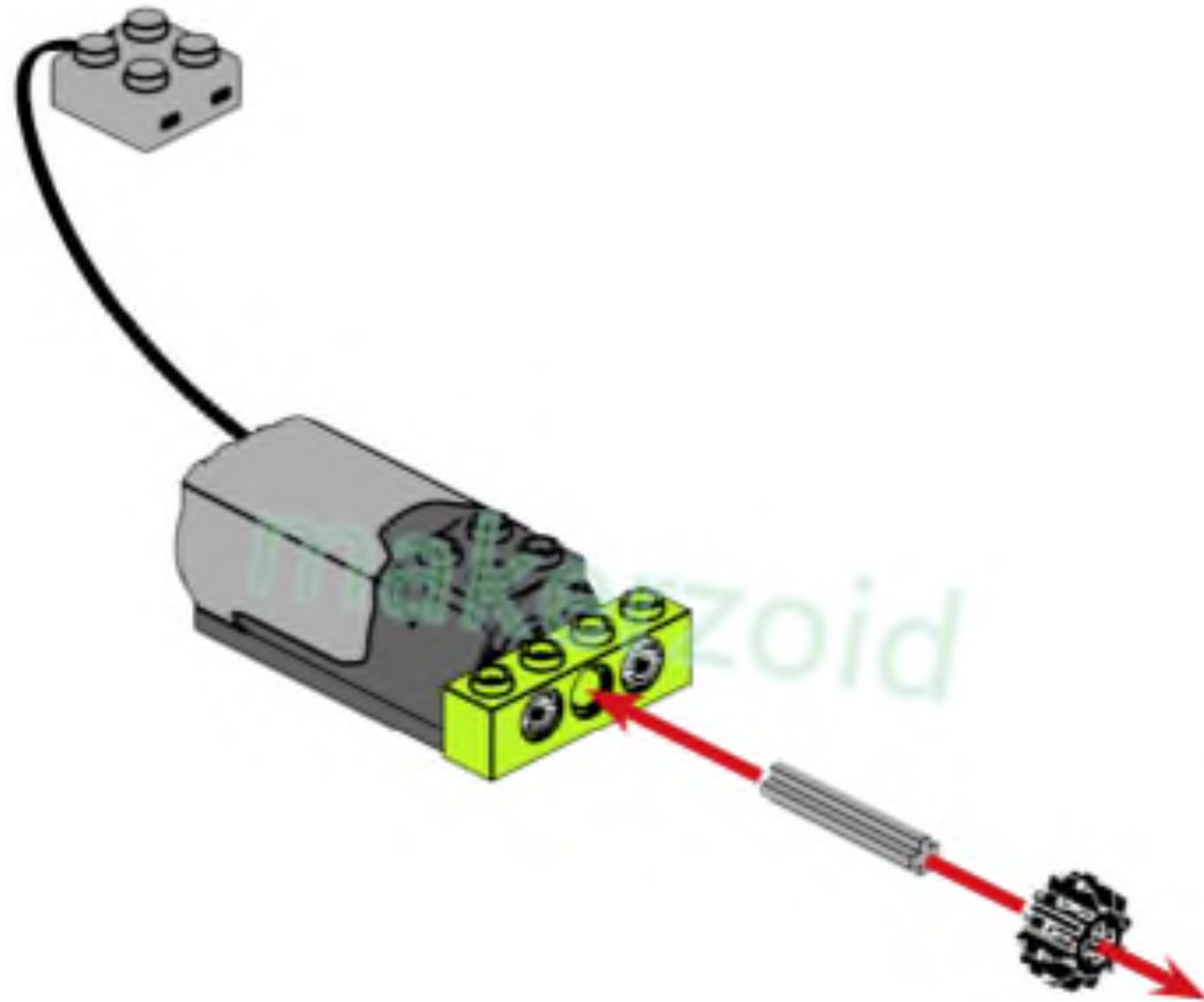


4

x1 x1 x2

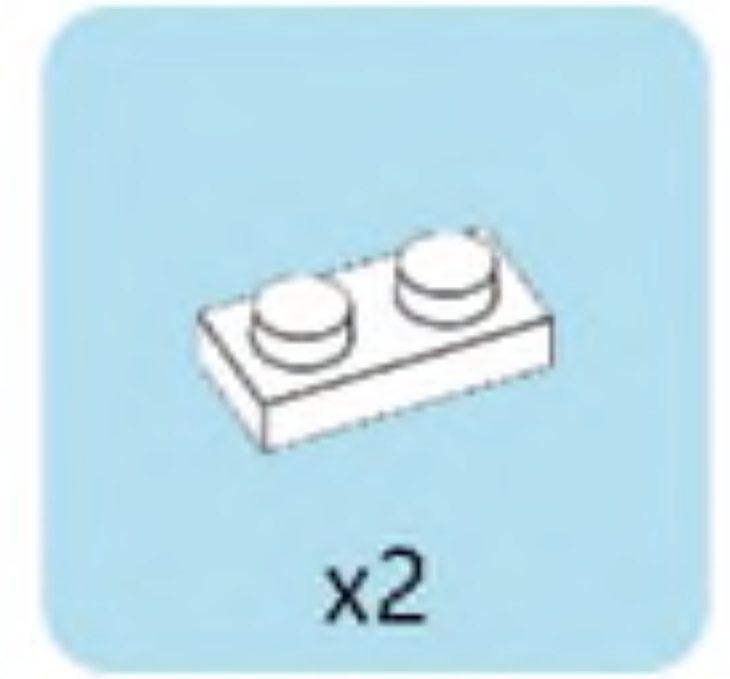
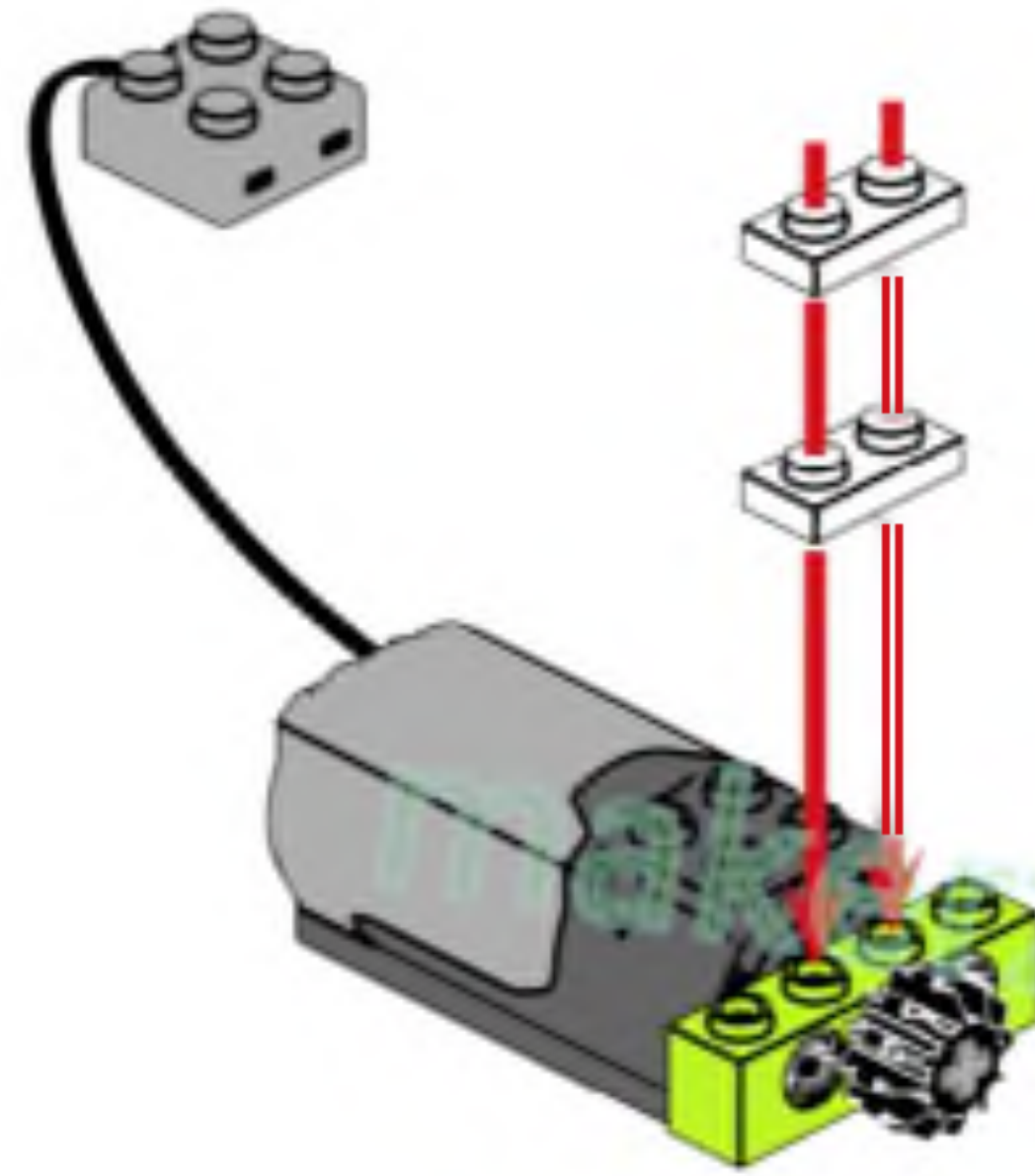
This block lists the parts required for step 4. It includes one grey motor, one yellow 1x5 Technic brick, and two black connectors. A small box with the number '4' is positioned above the parts.

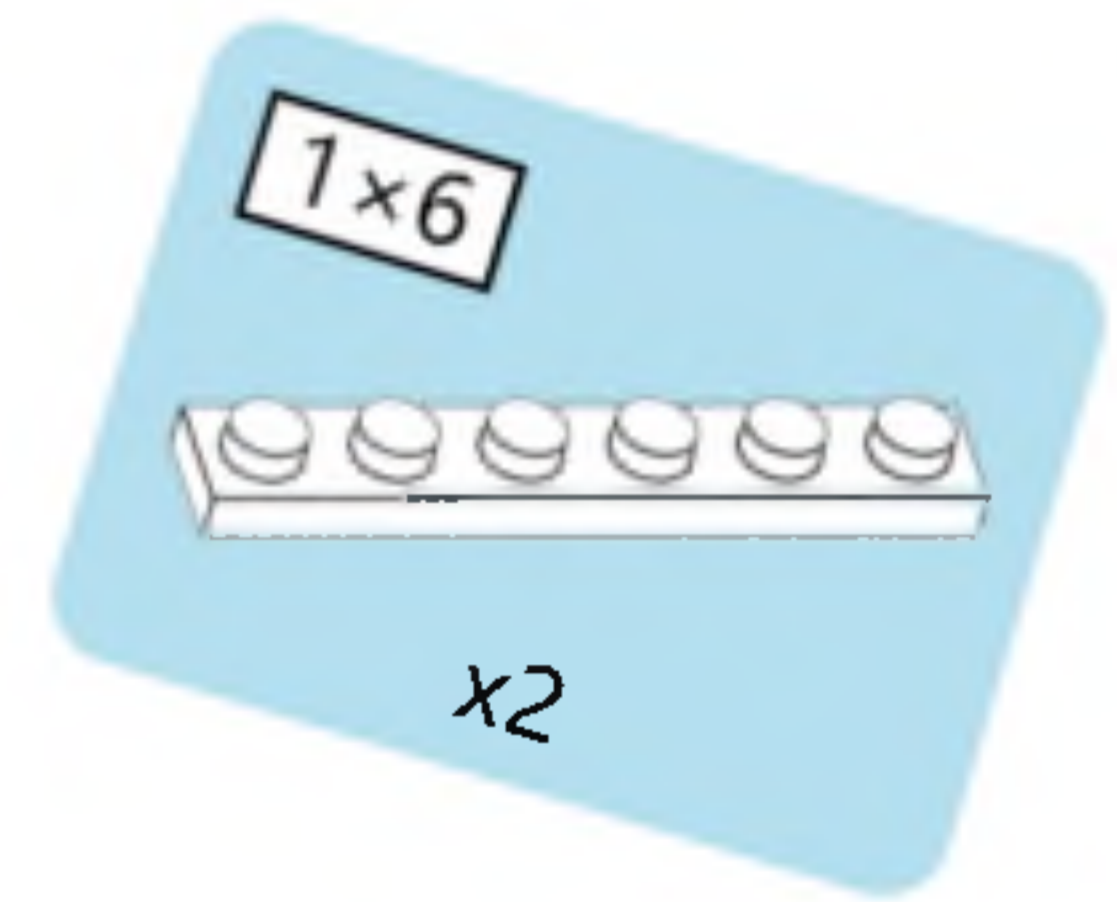
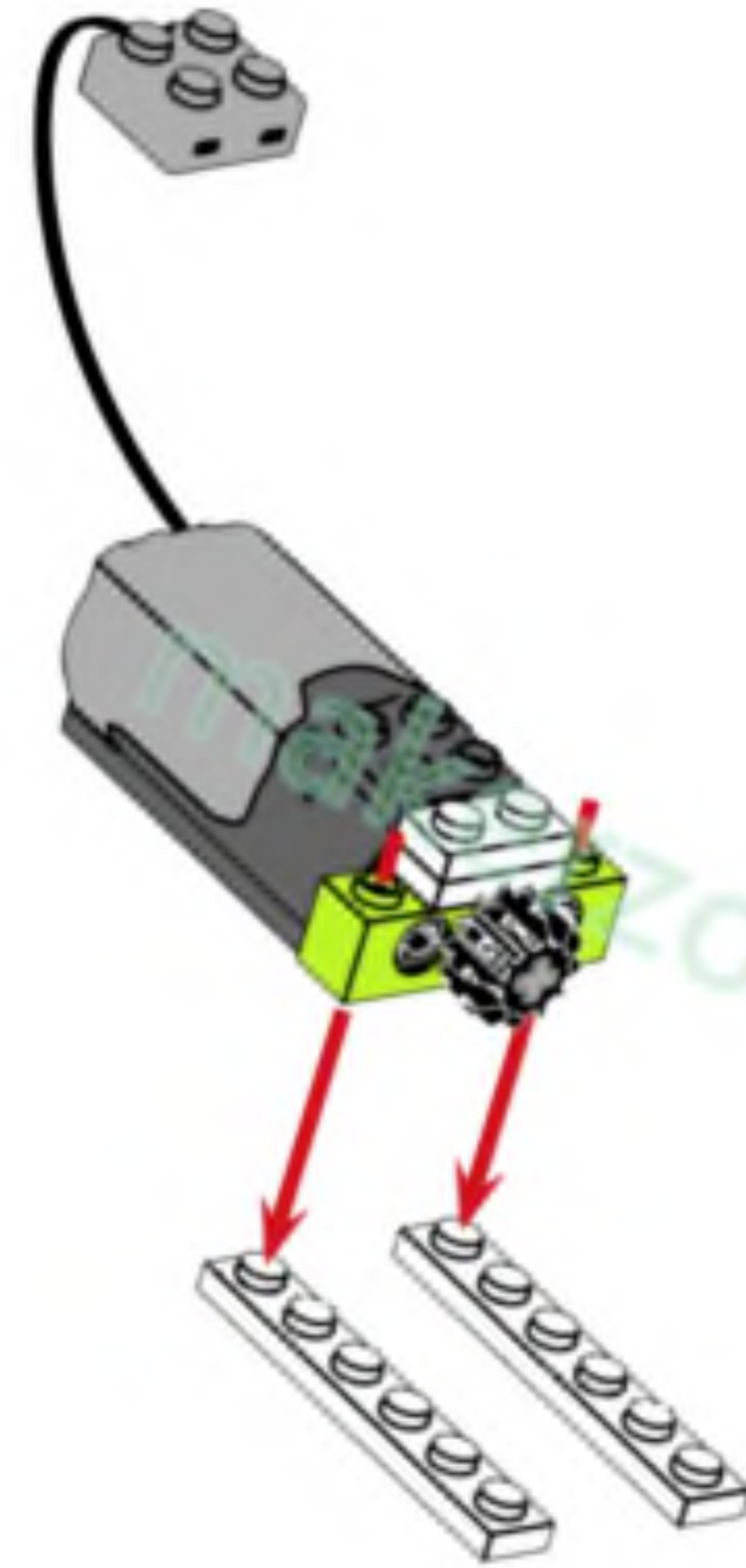


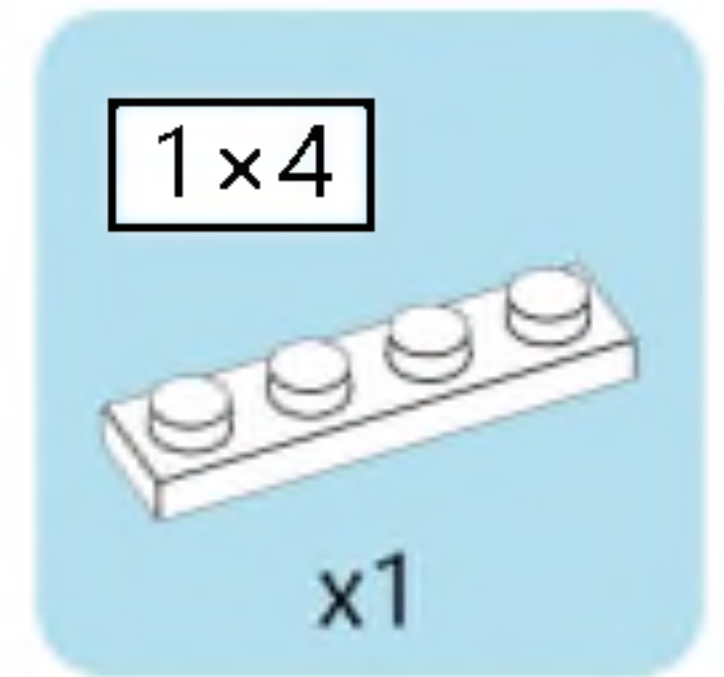
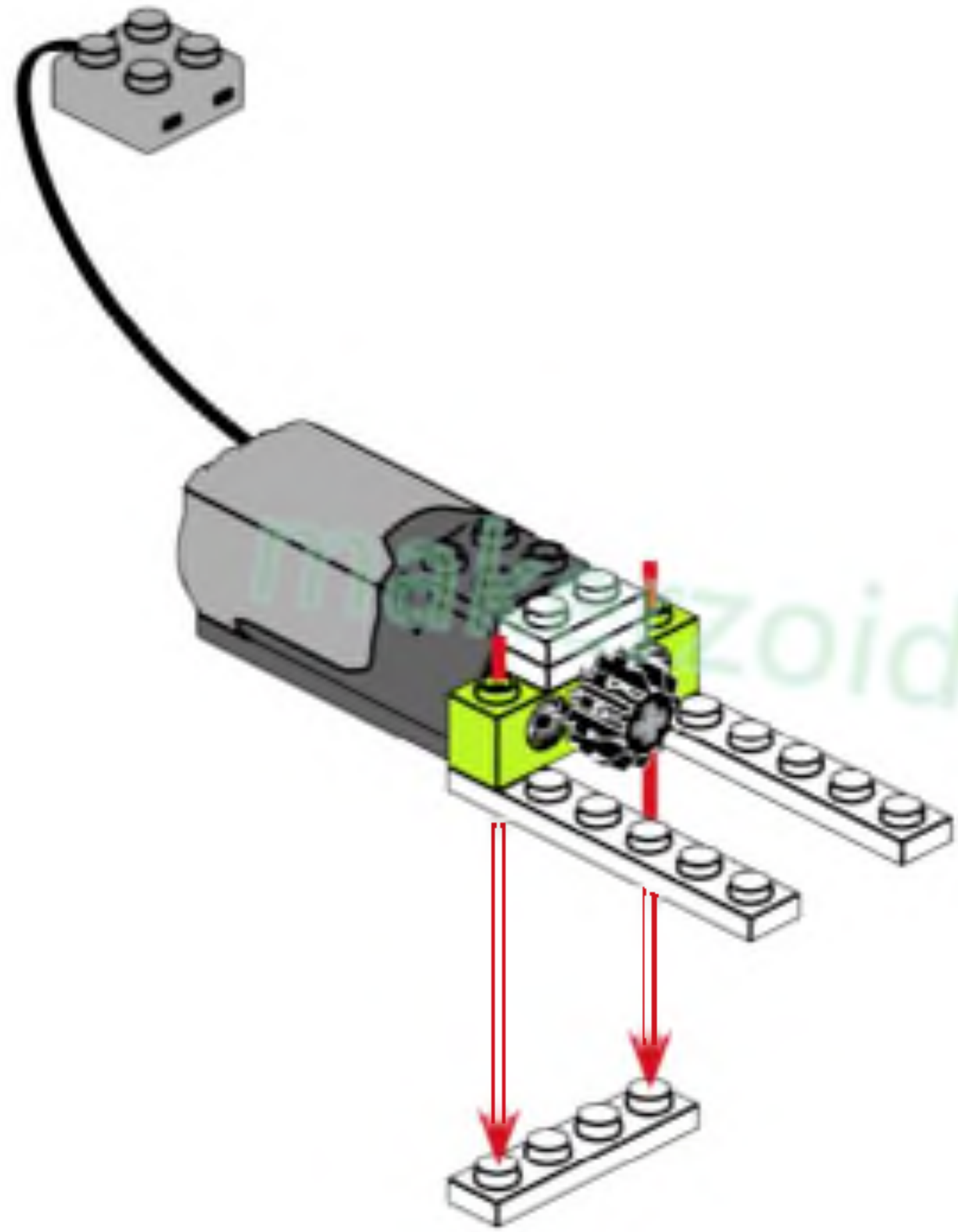
3

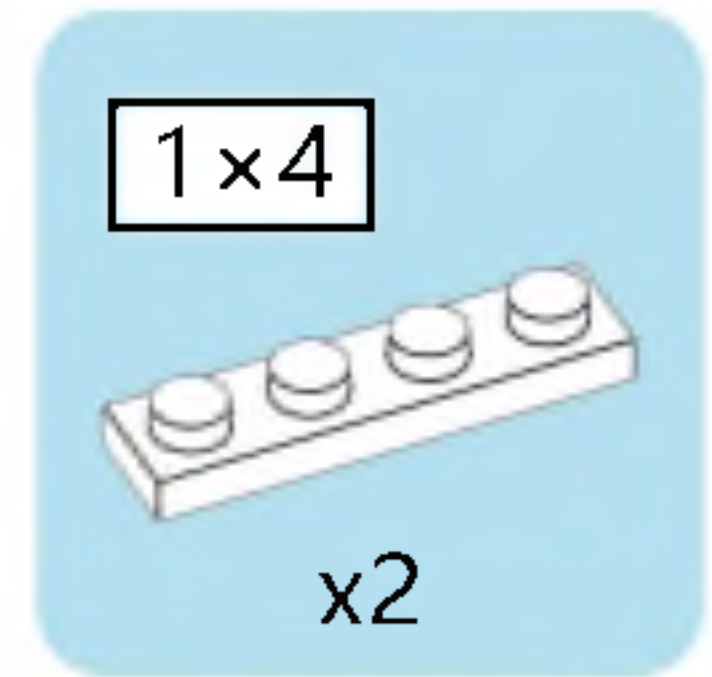
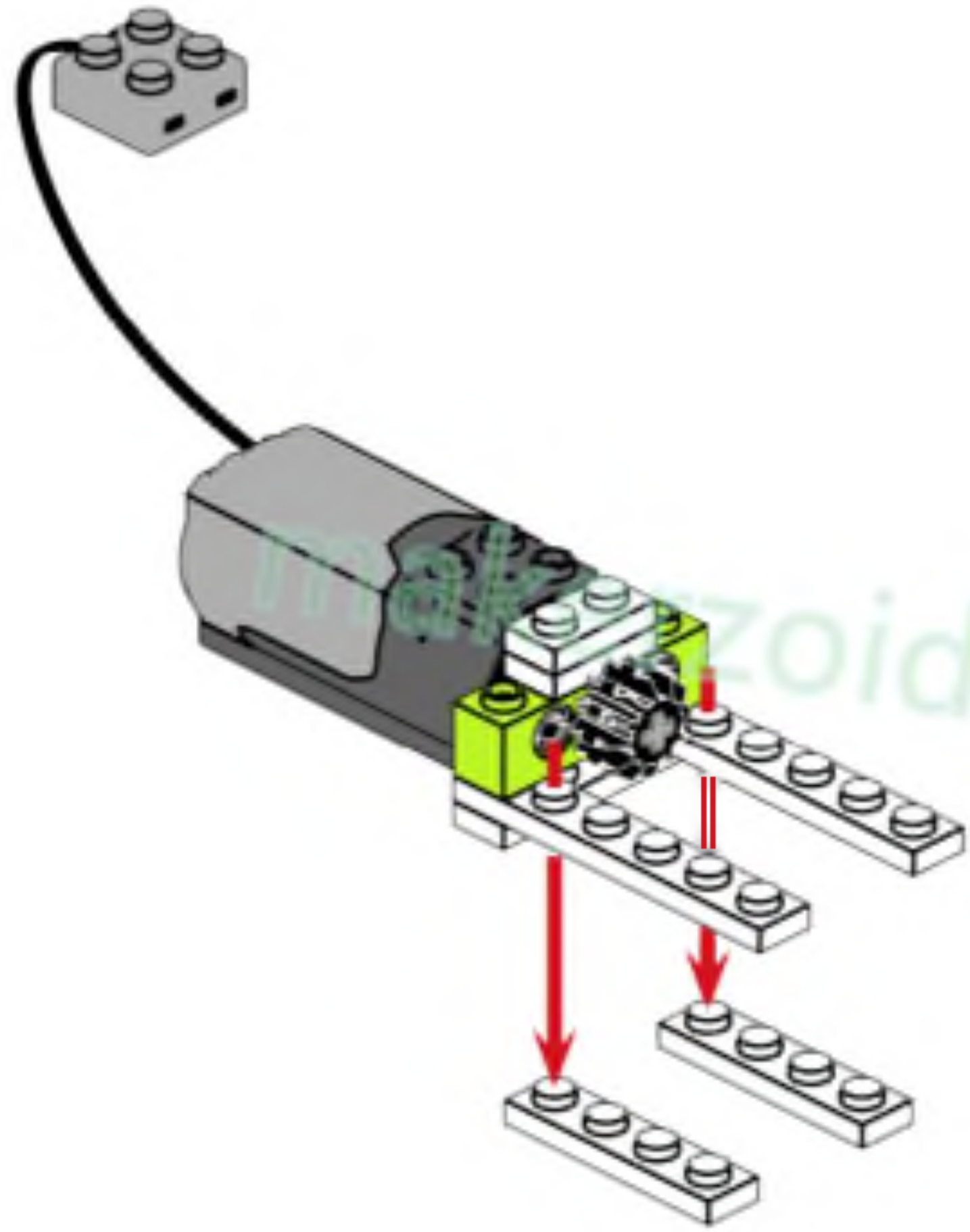
x1 x1

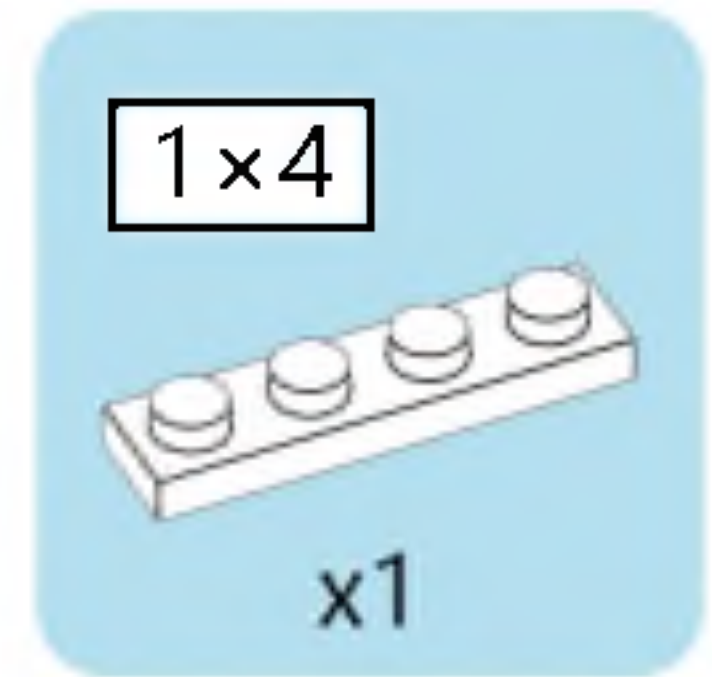
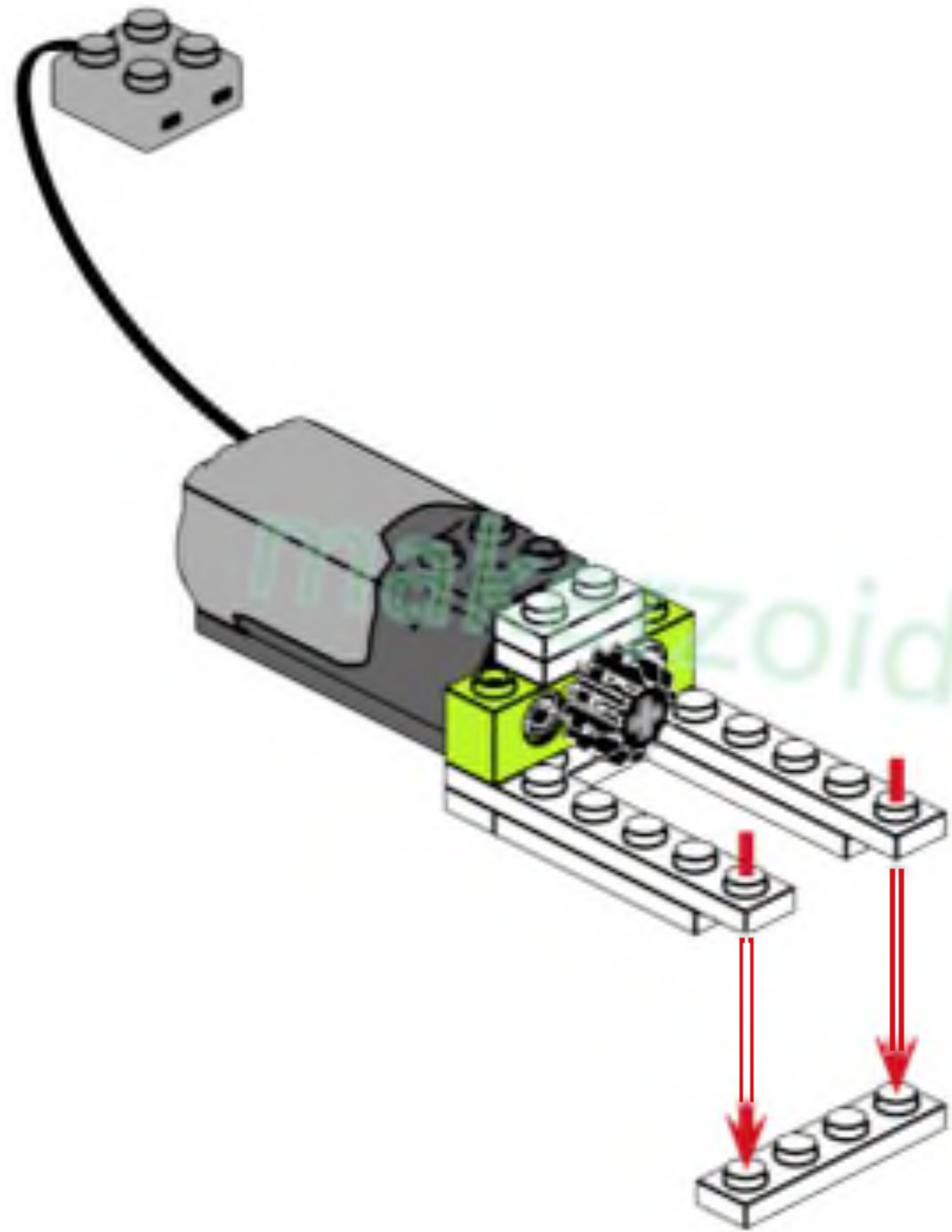
A light blue rounded rectangular box containing a parts list for step 3. At the top left is a small white square with the number "3" inside. Below it are two items: a grey Technic axle pin and a black gear. Each item is followed by the quantity "x1".

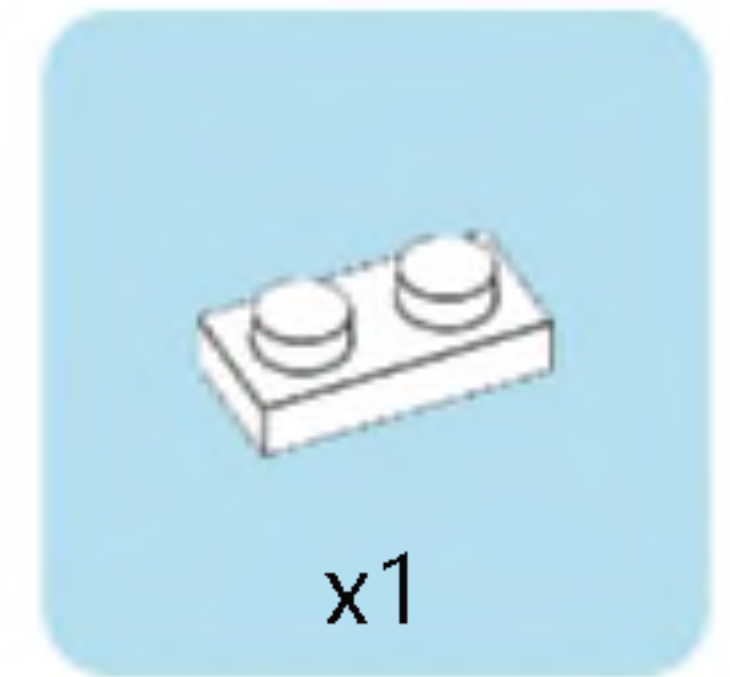
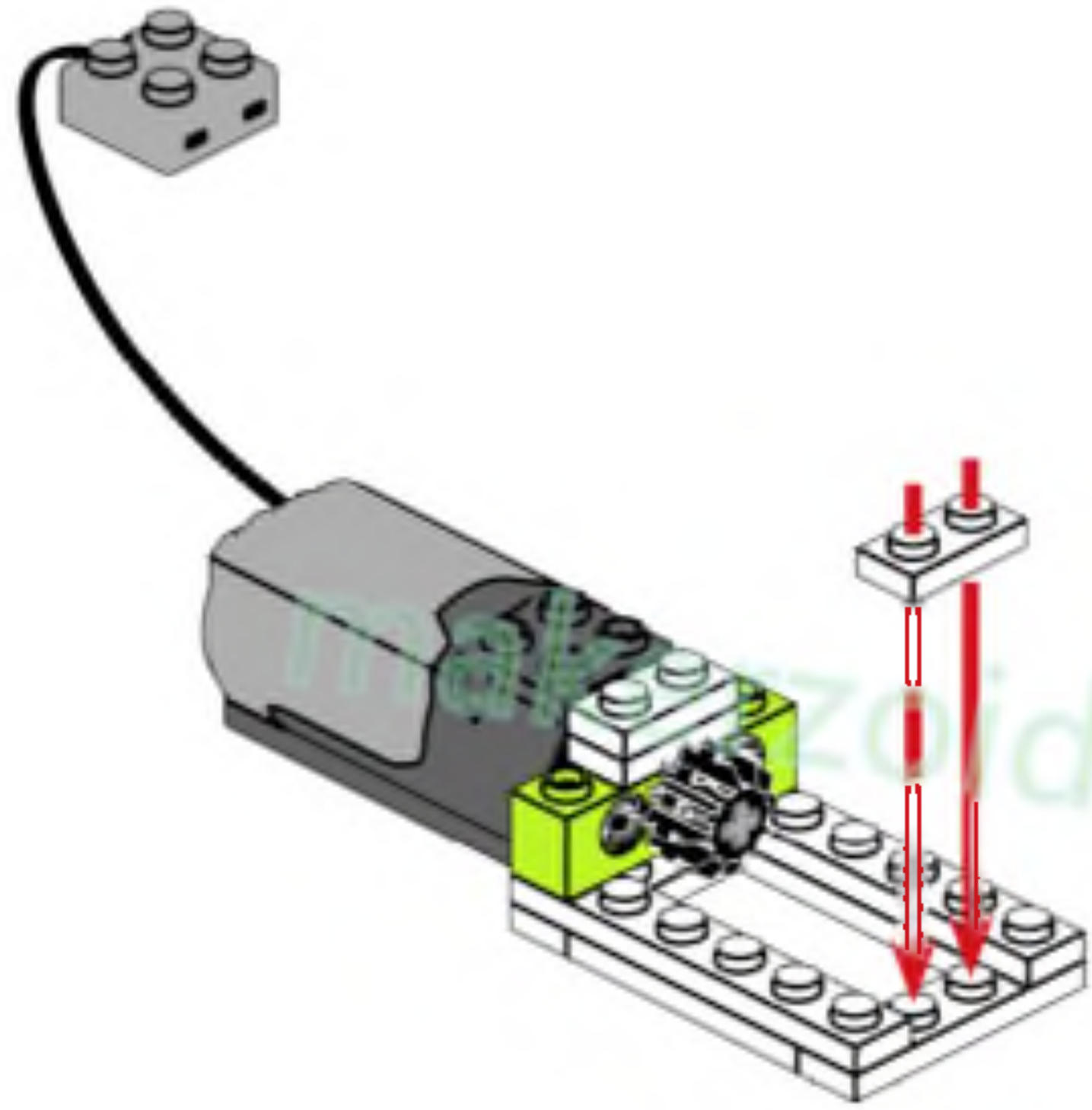








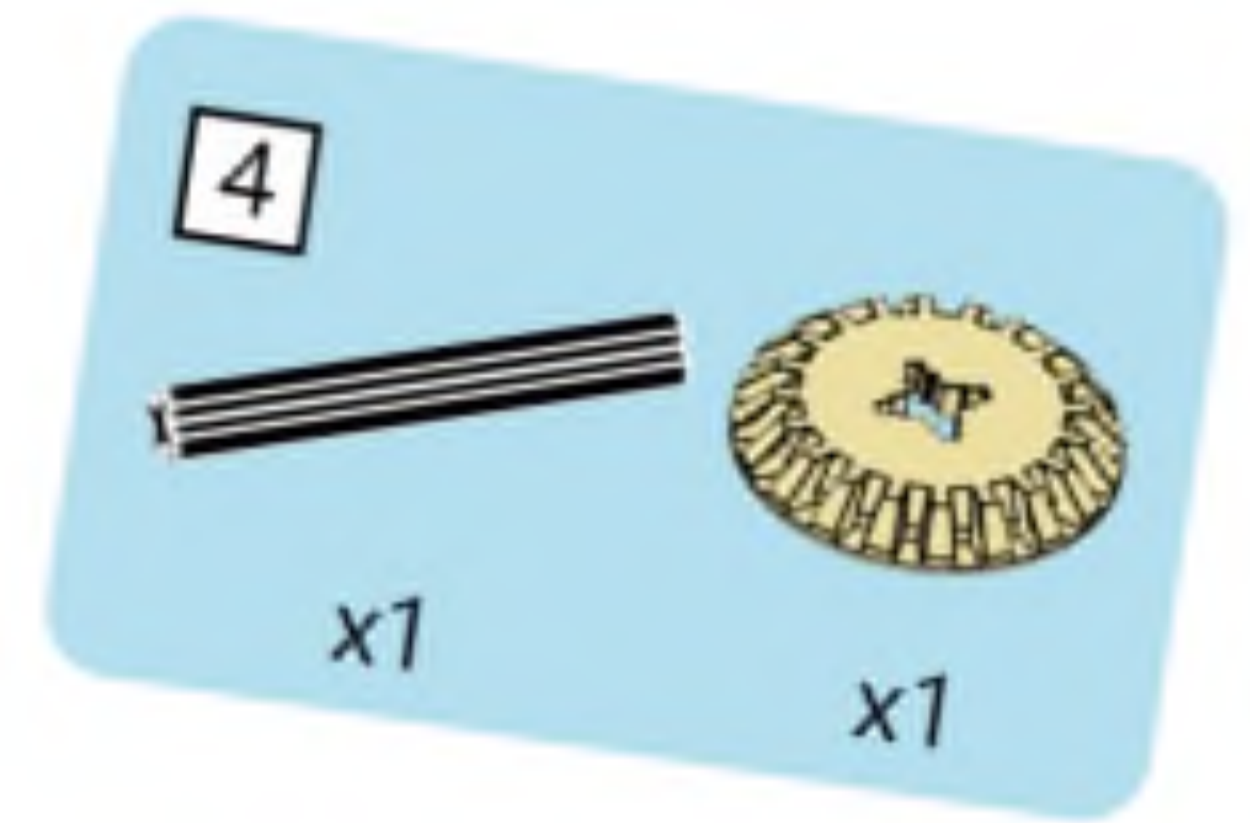








makerzoid

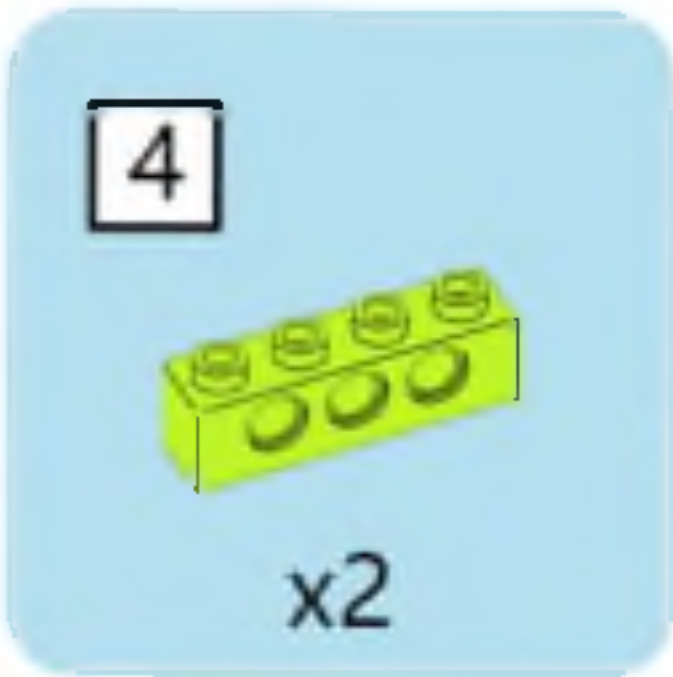
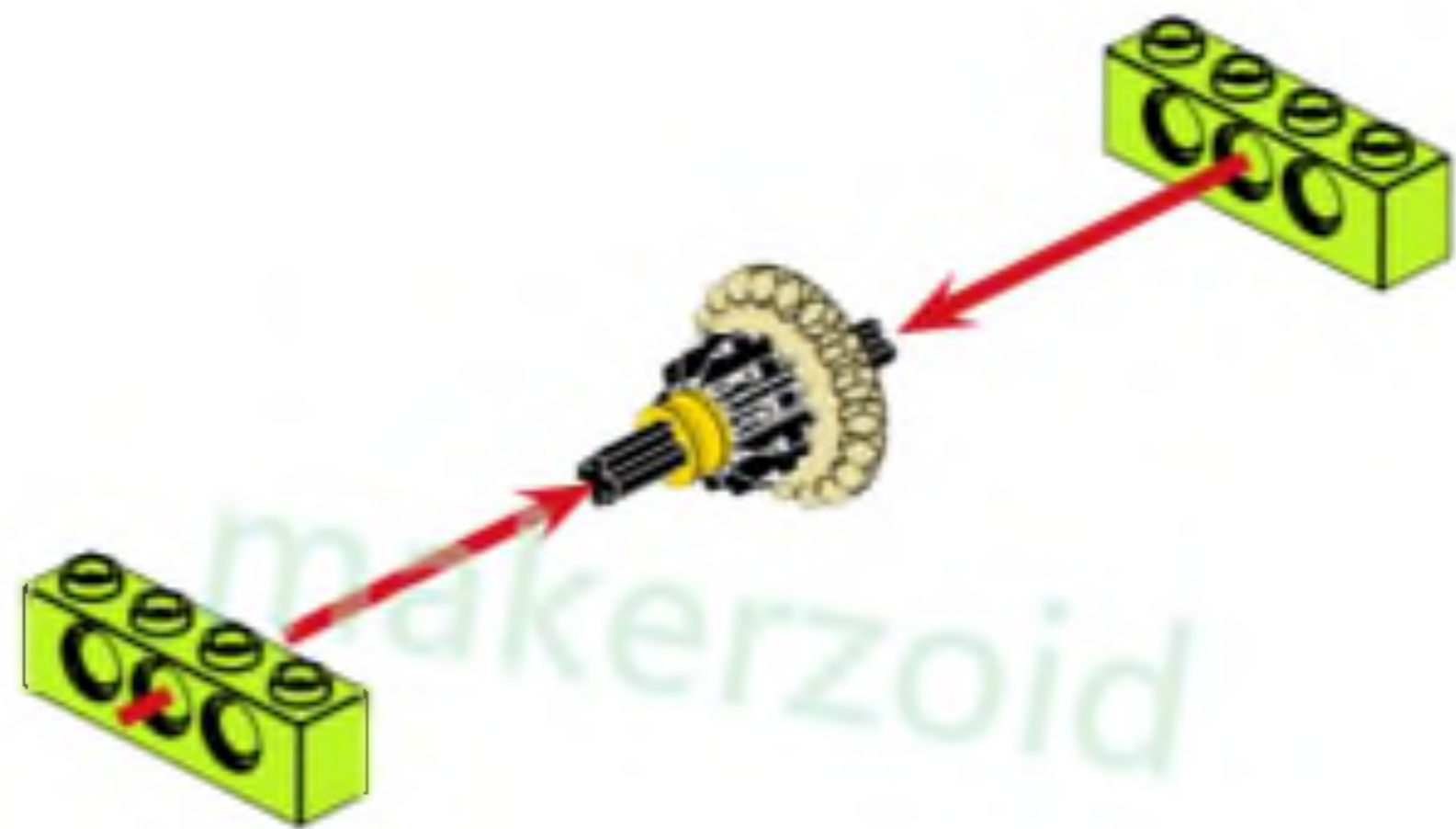




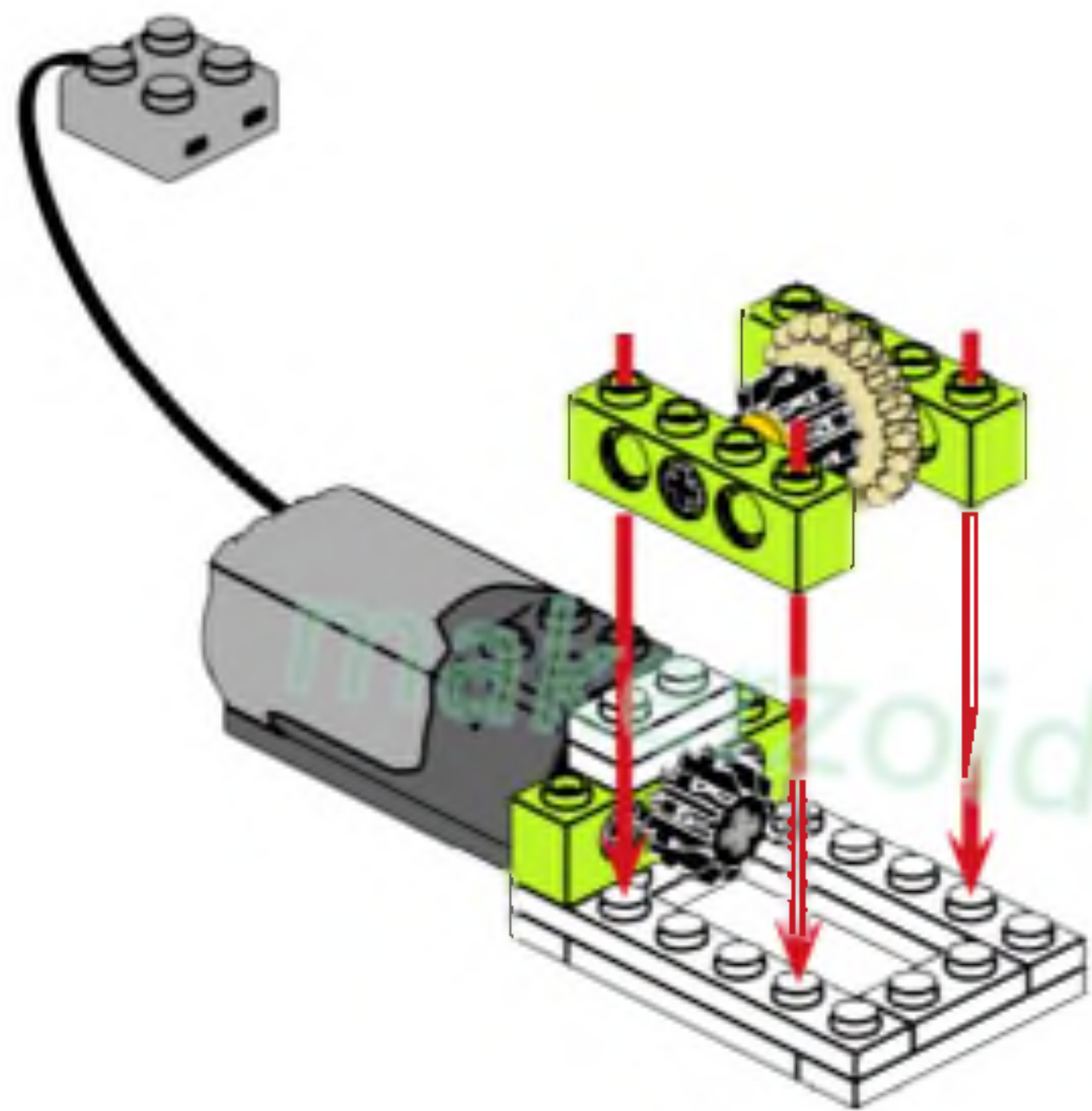
x1

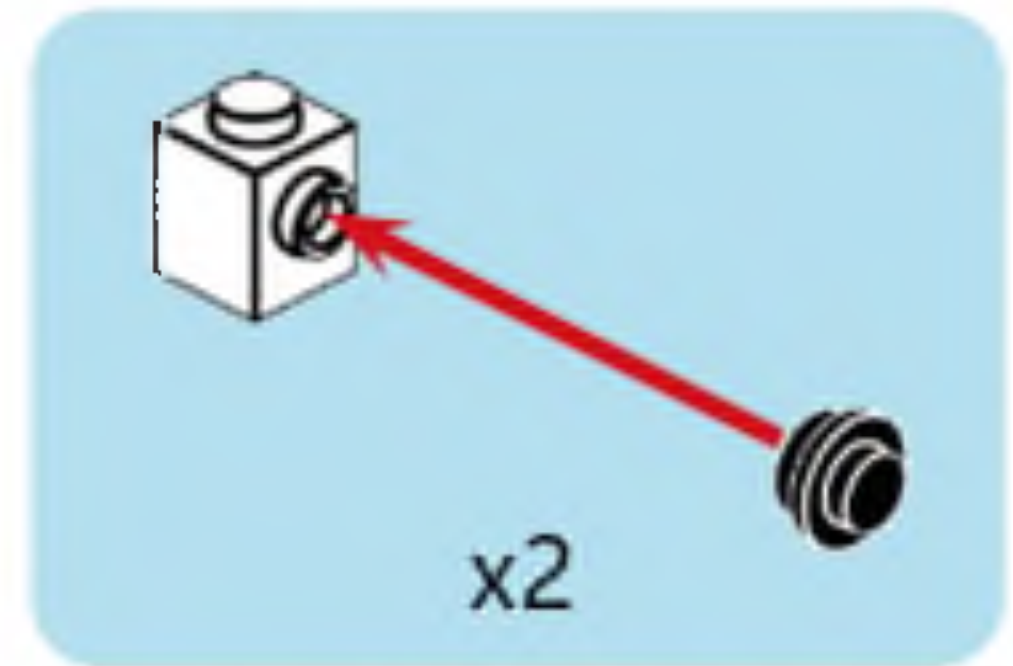
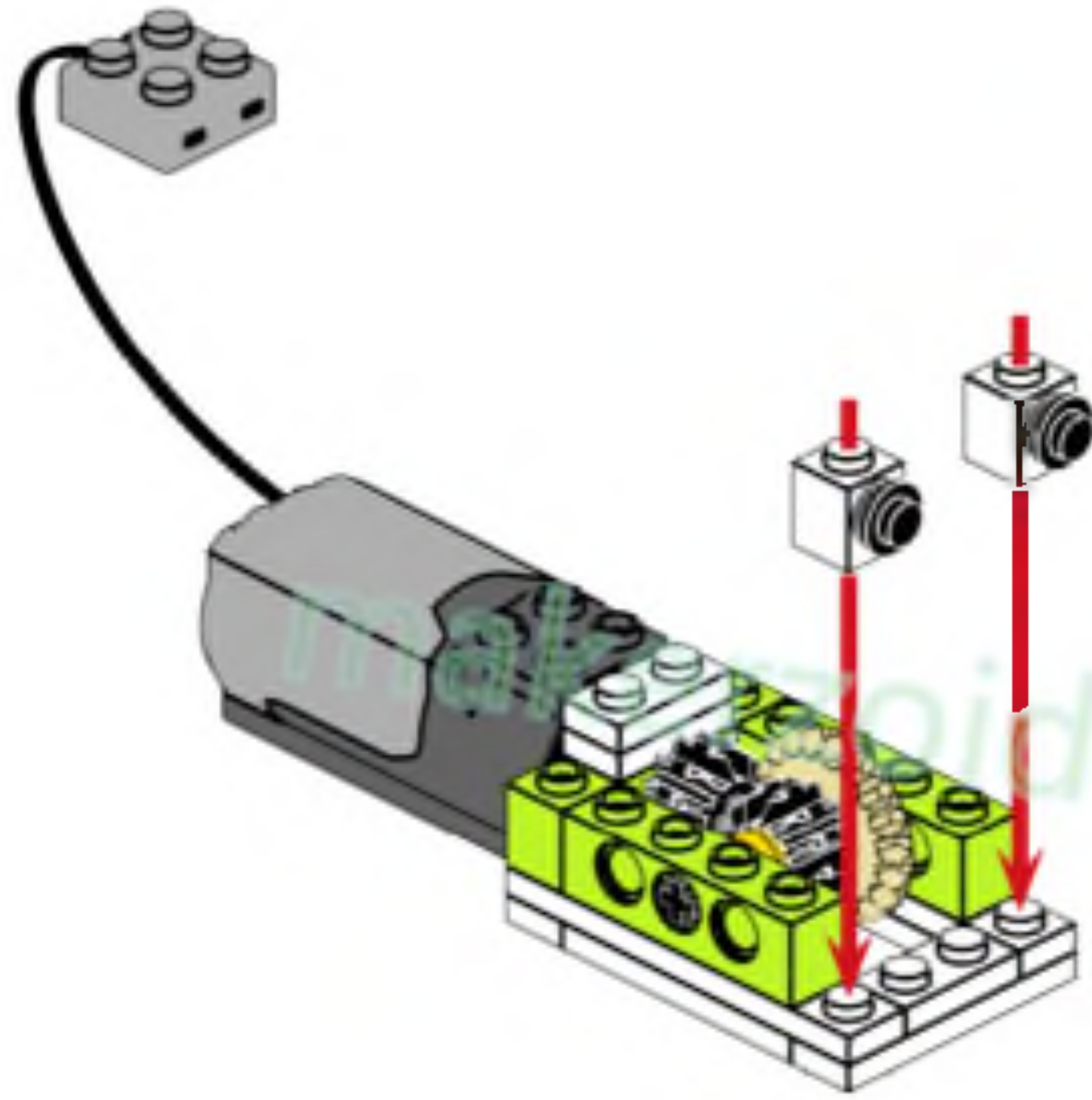


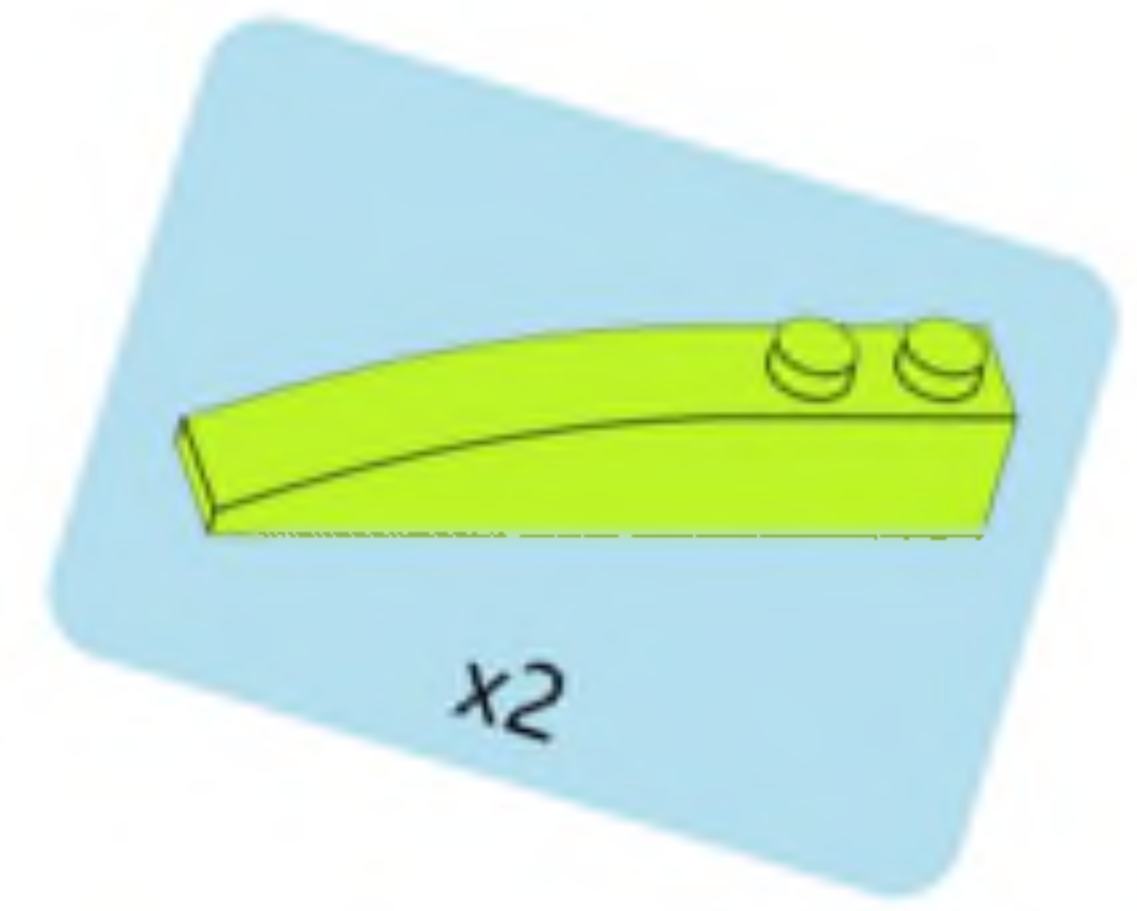
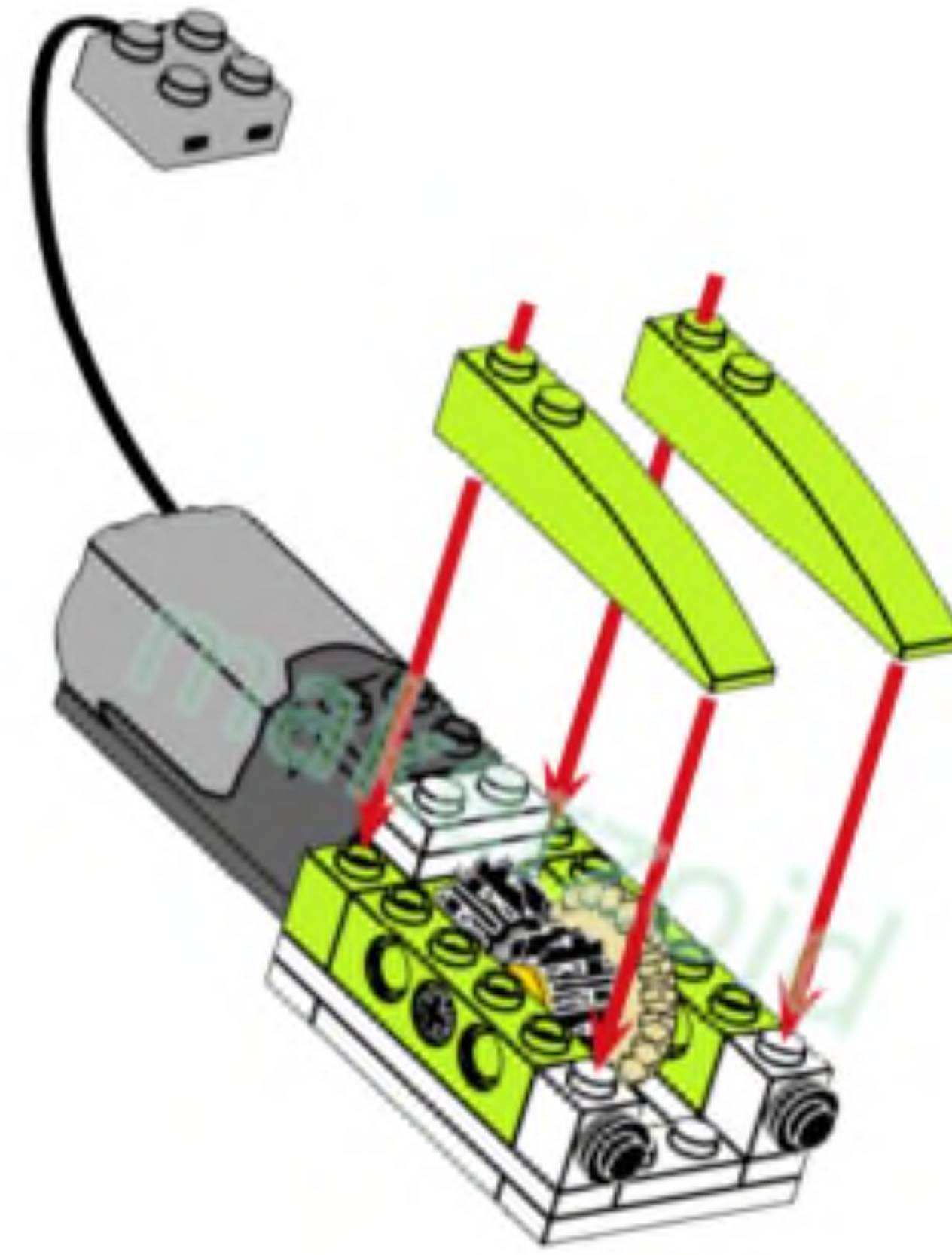
x1

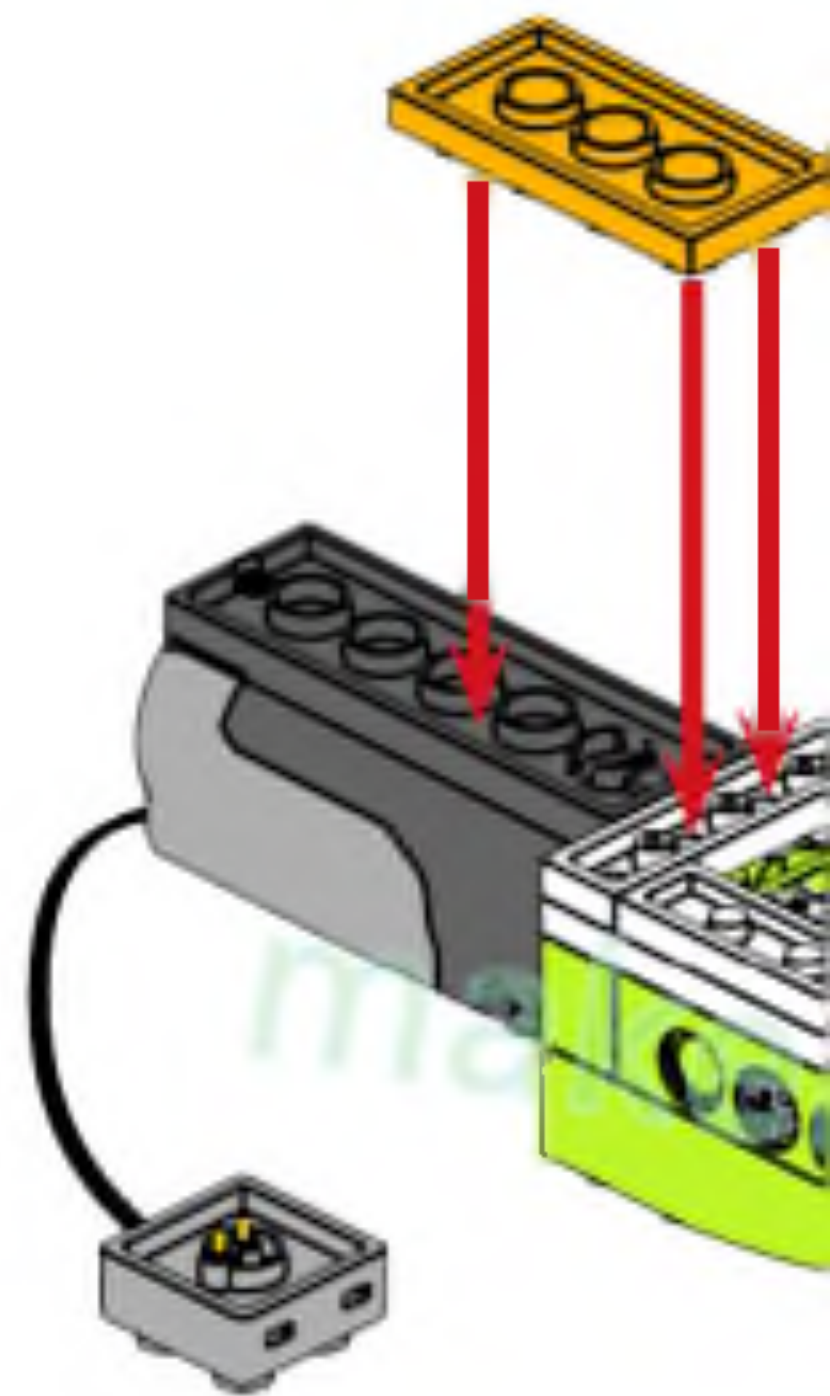


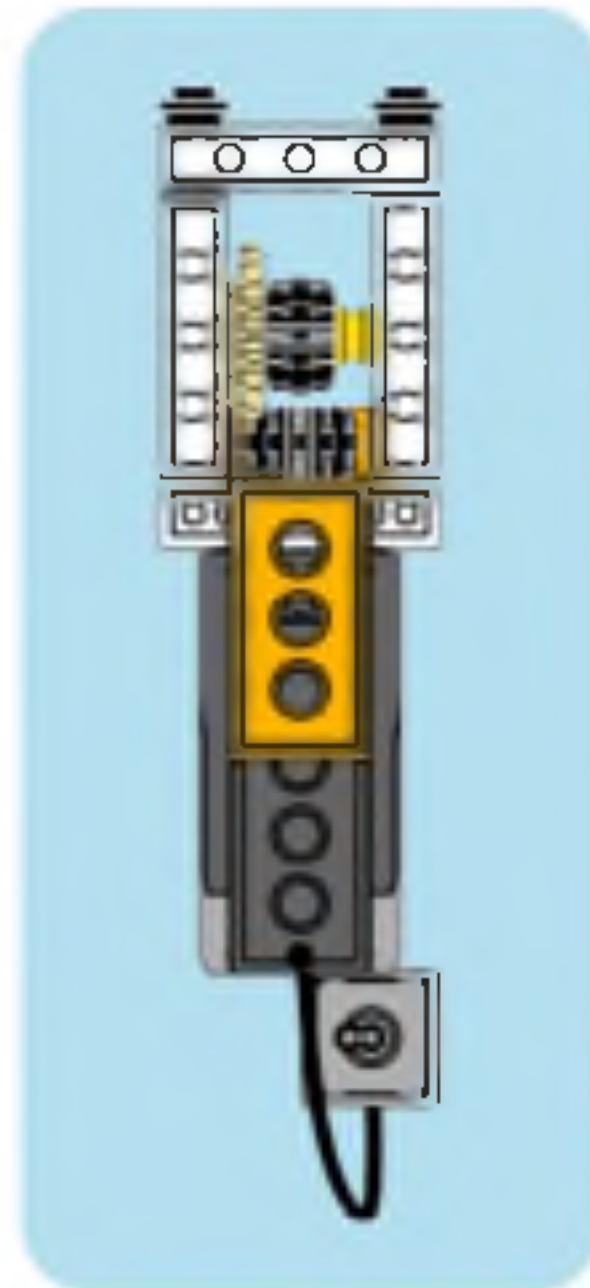
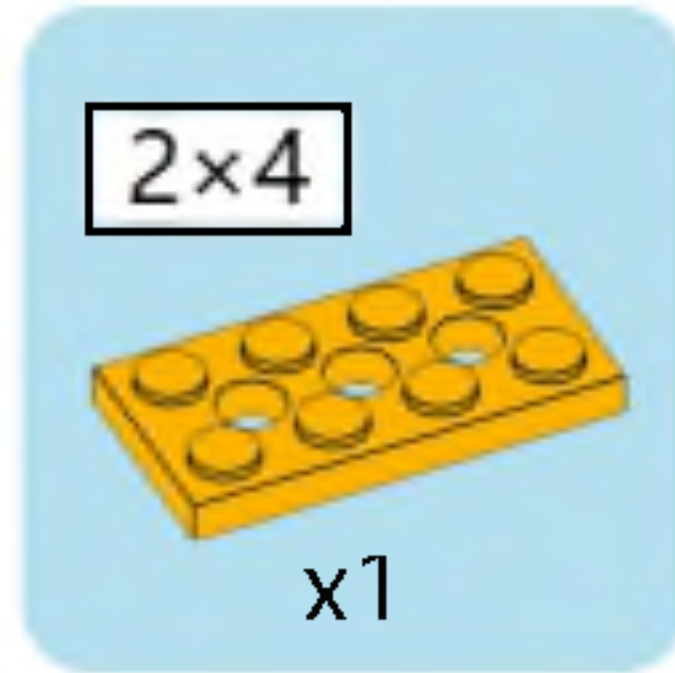
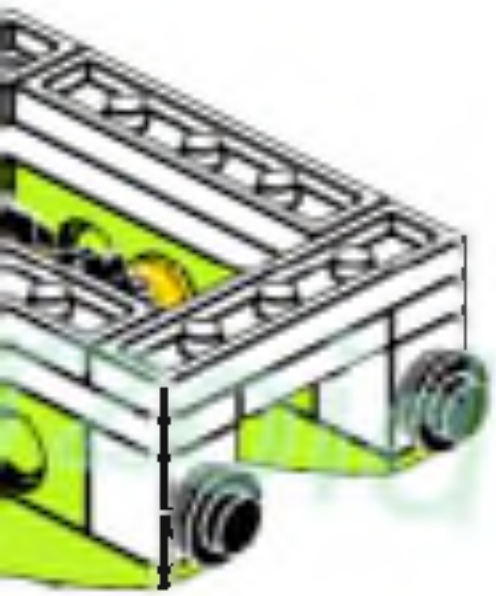
makerzoid



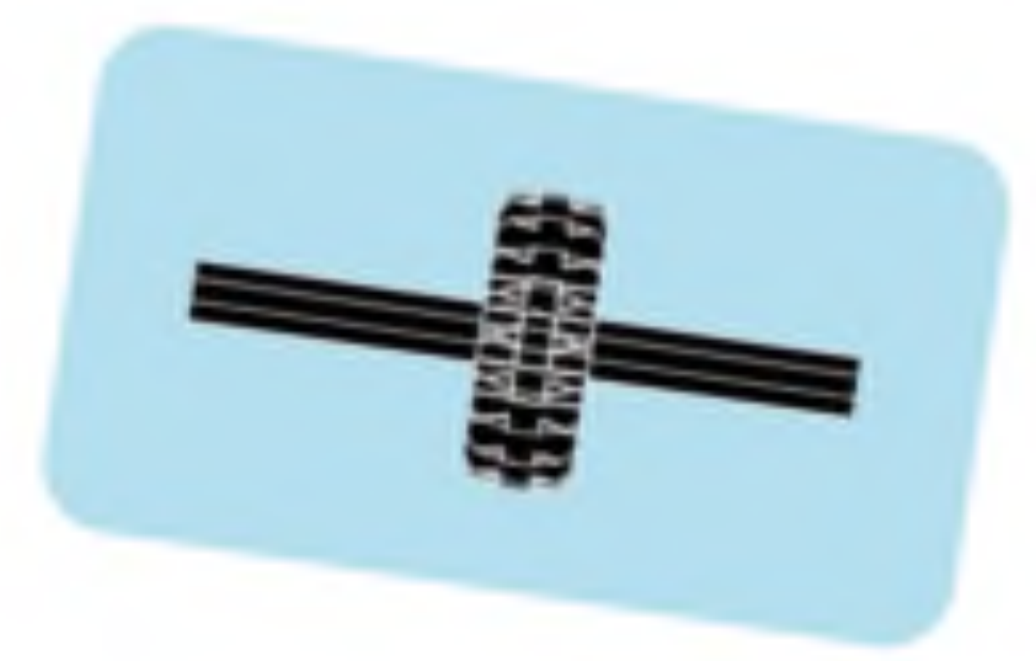
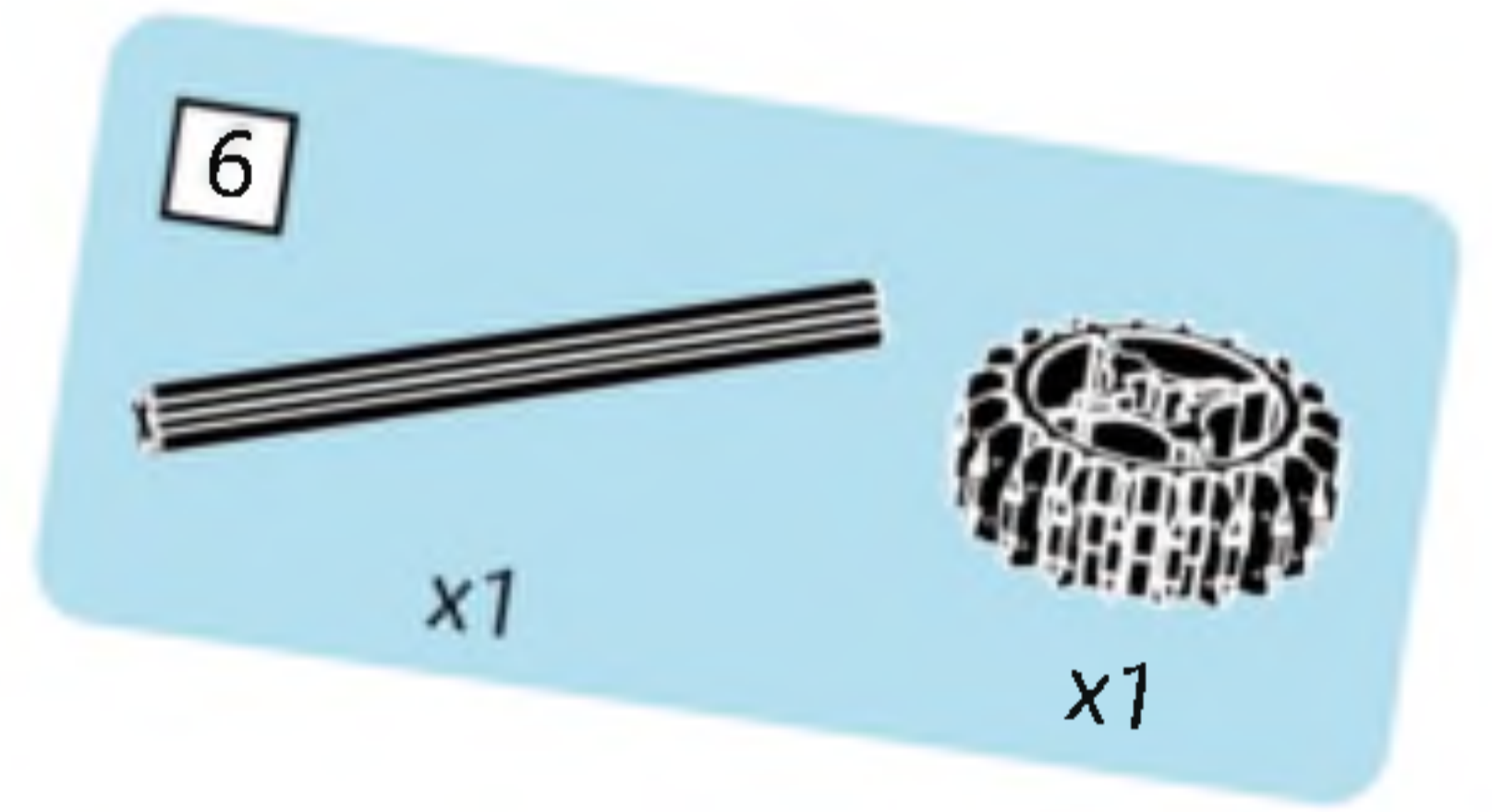






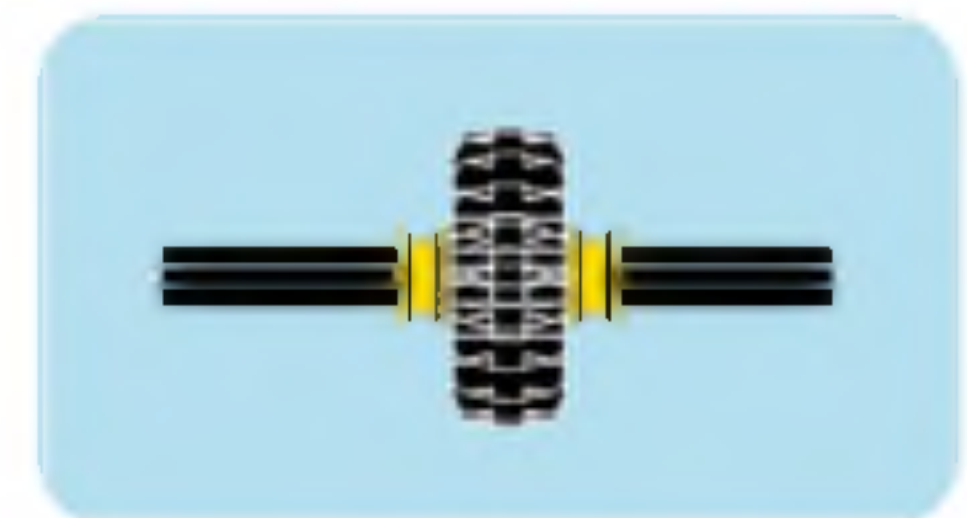


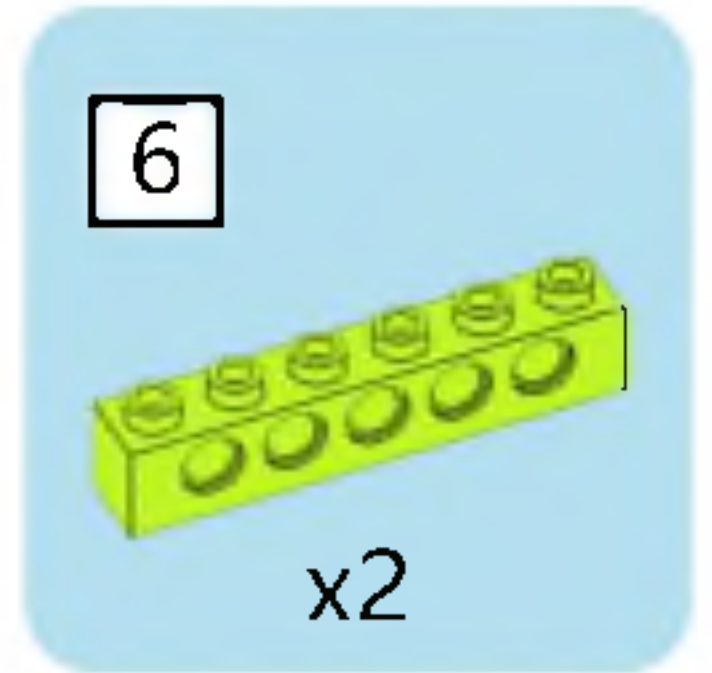




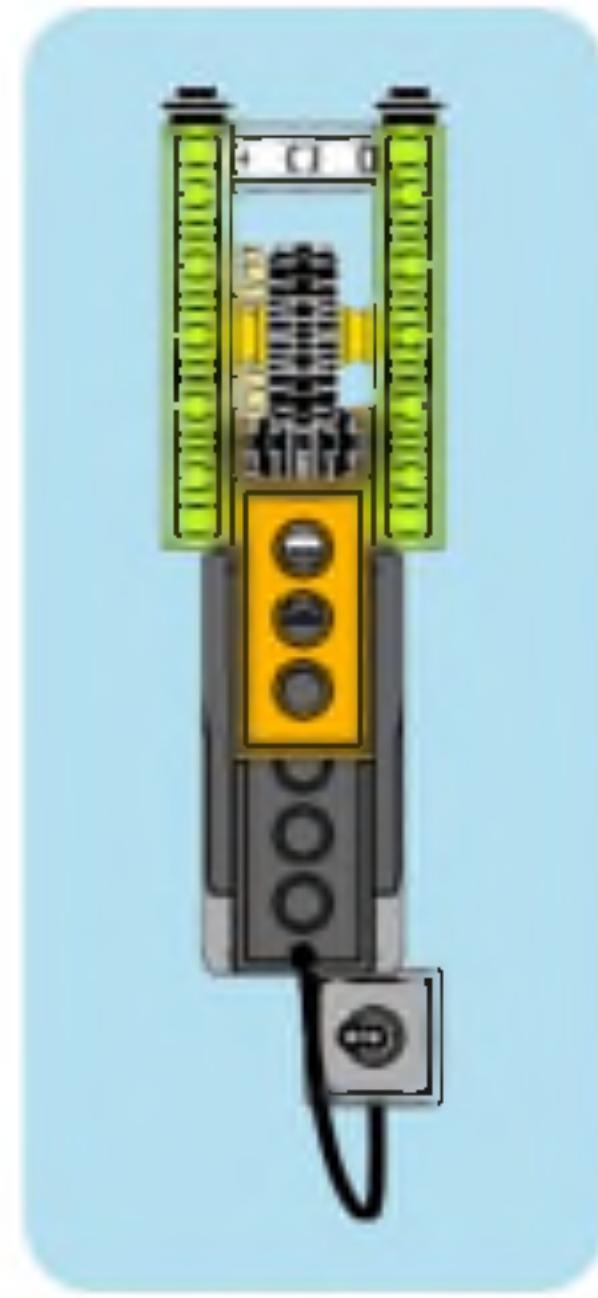
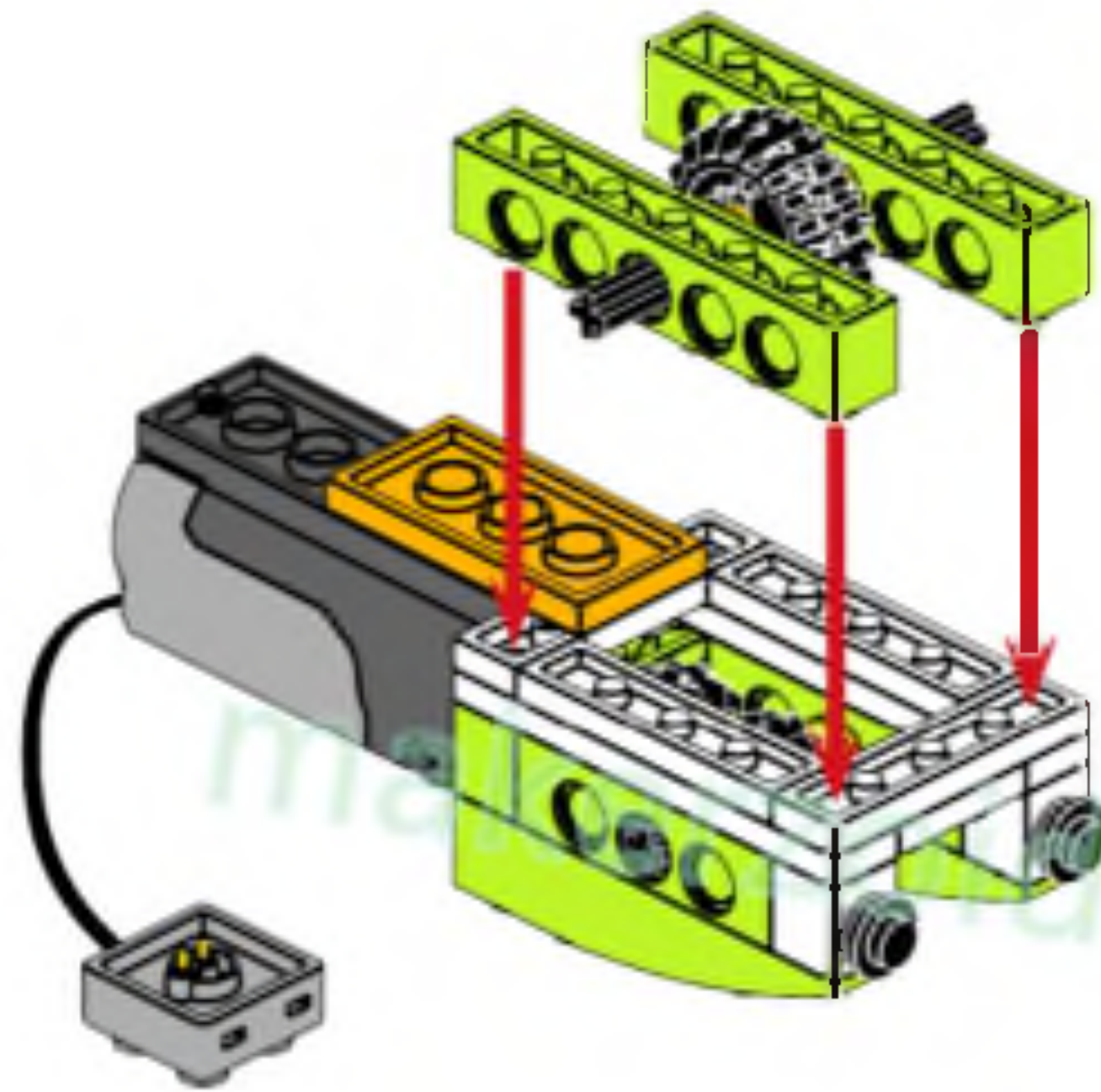


makzoid





makzoid





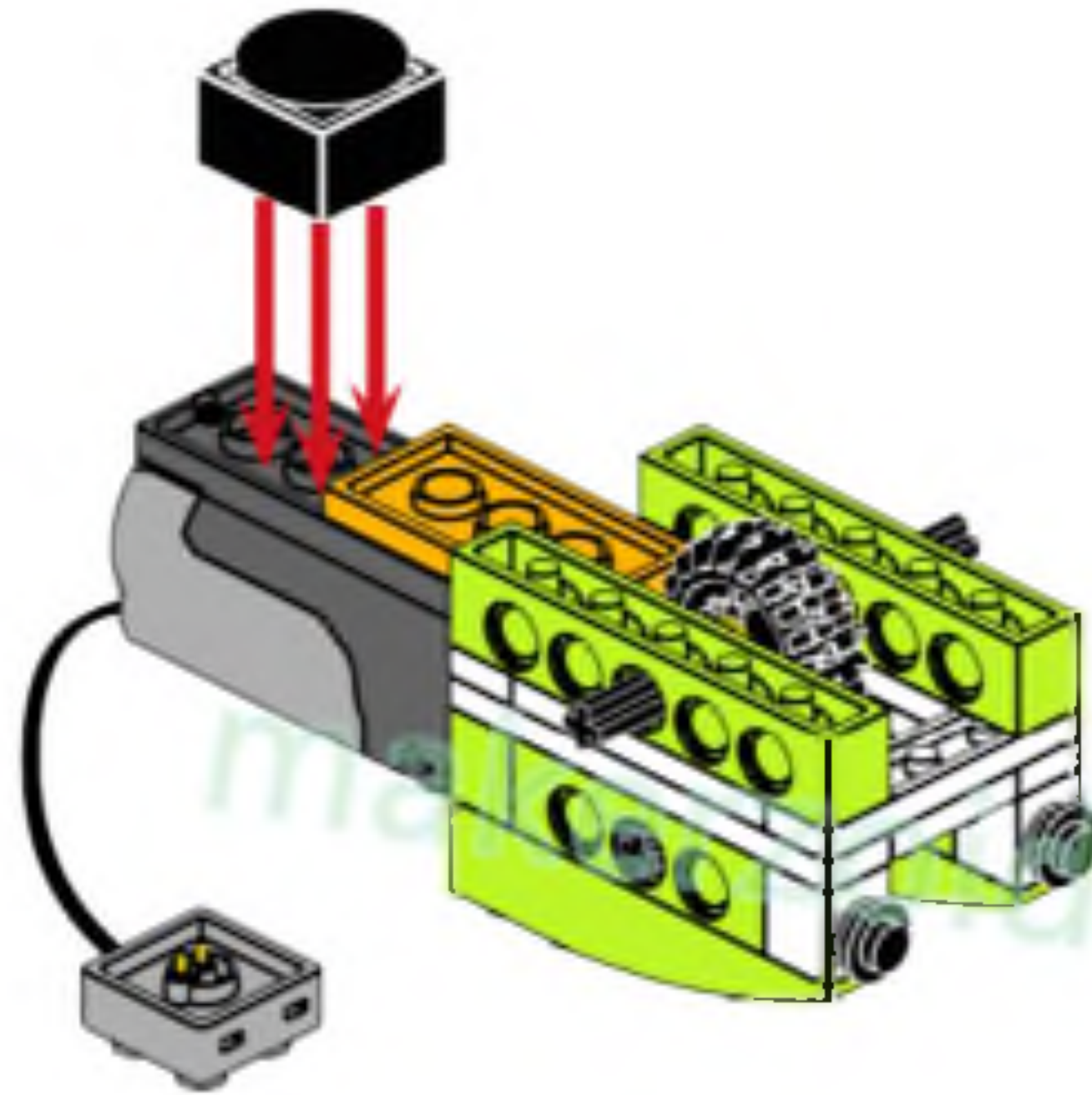
makerzoid

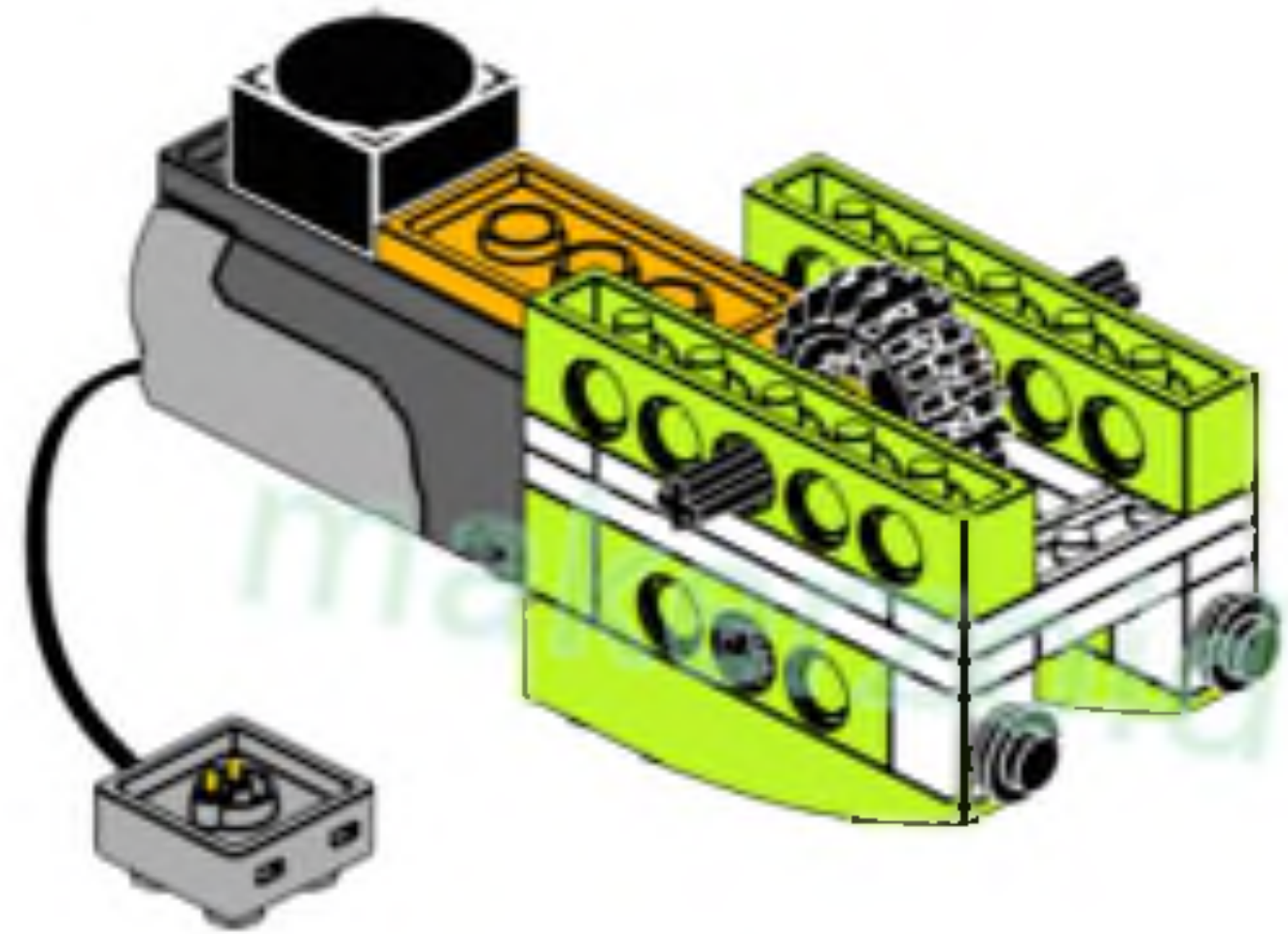


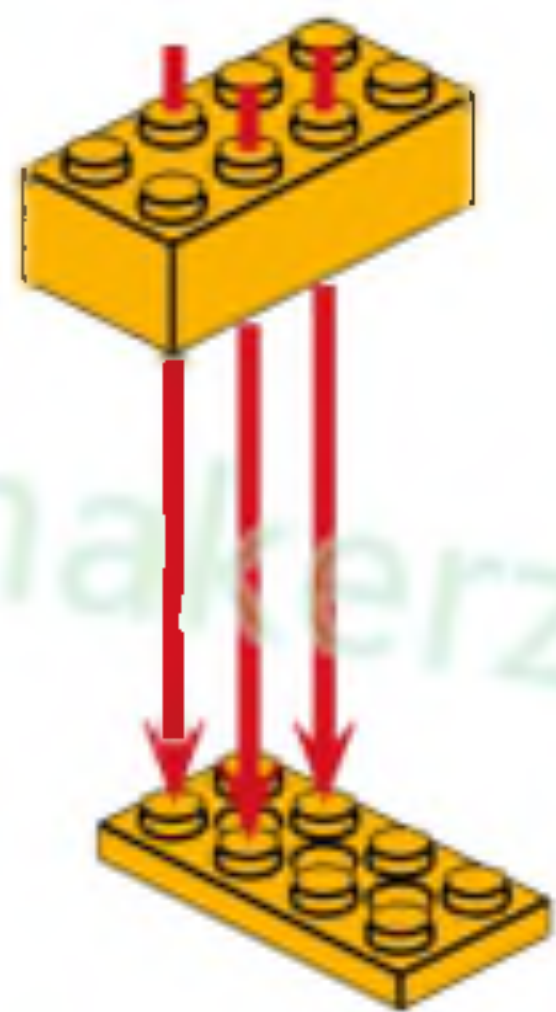
x1



x1

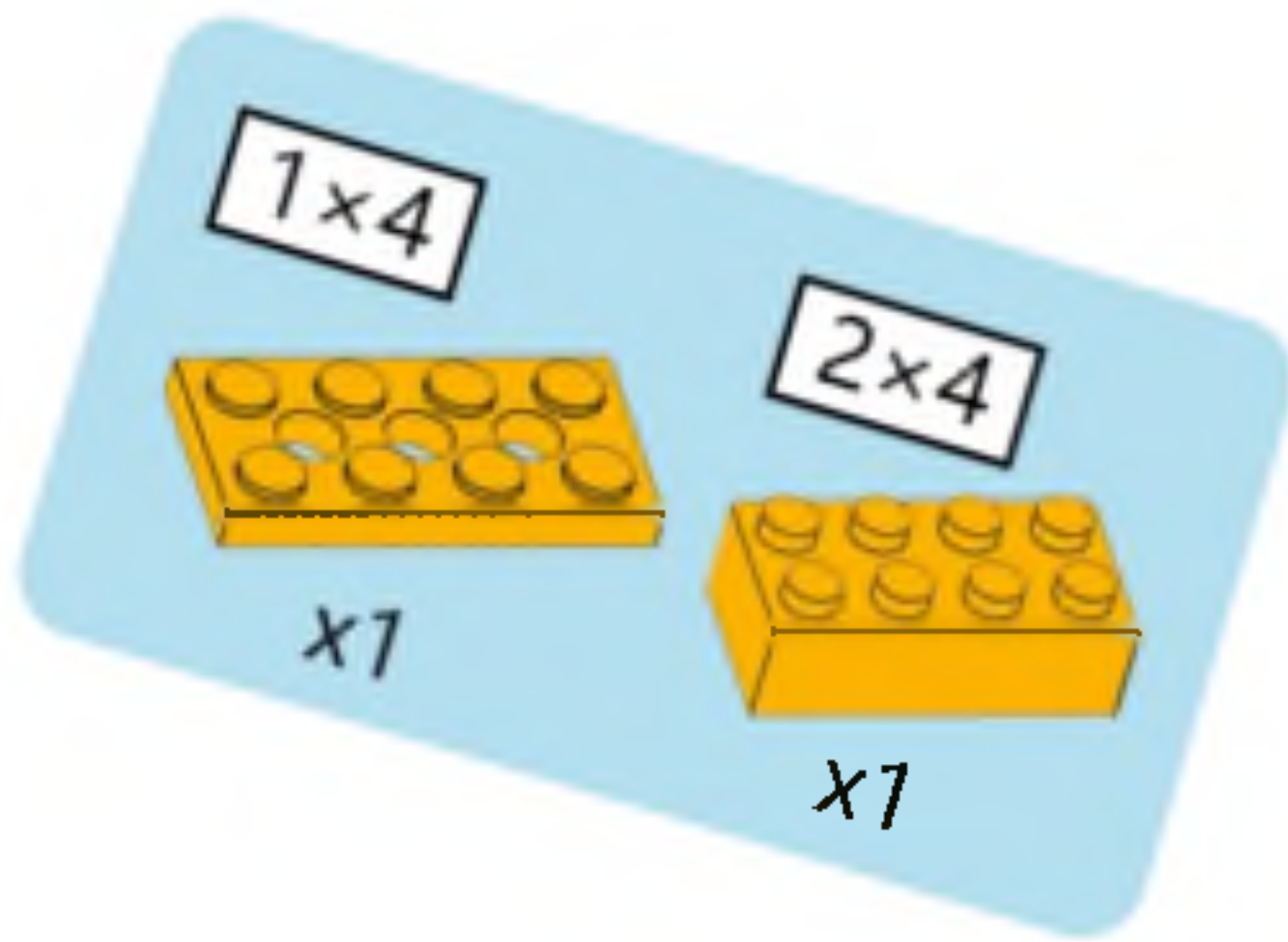


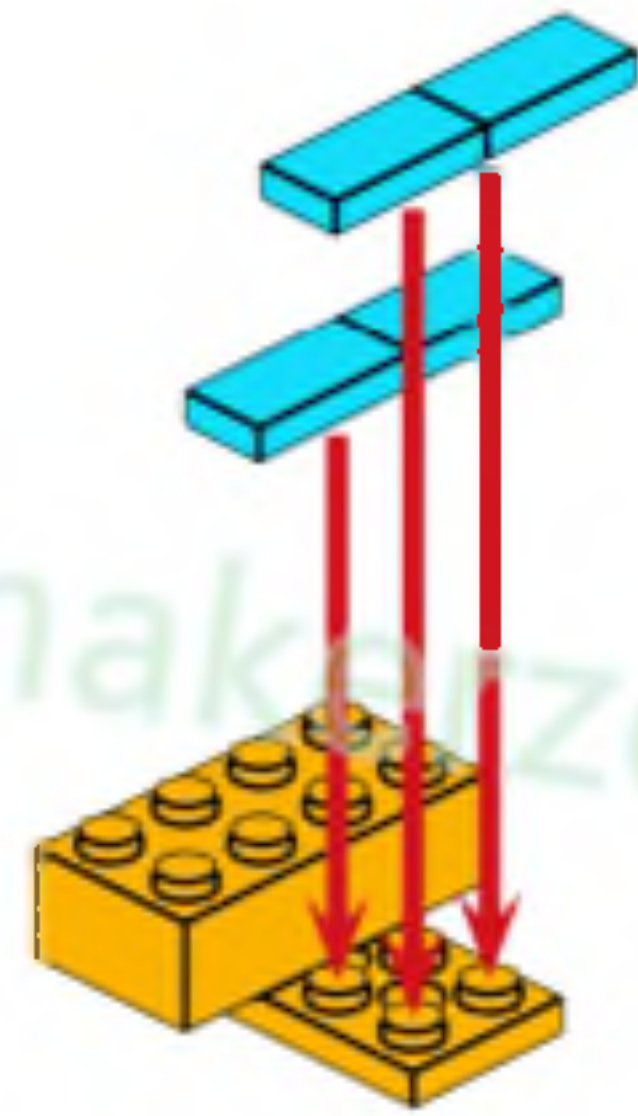




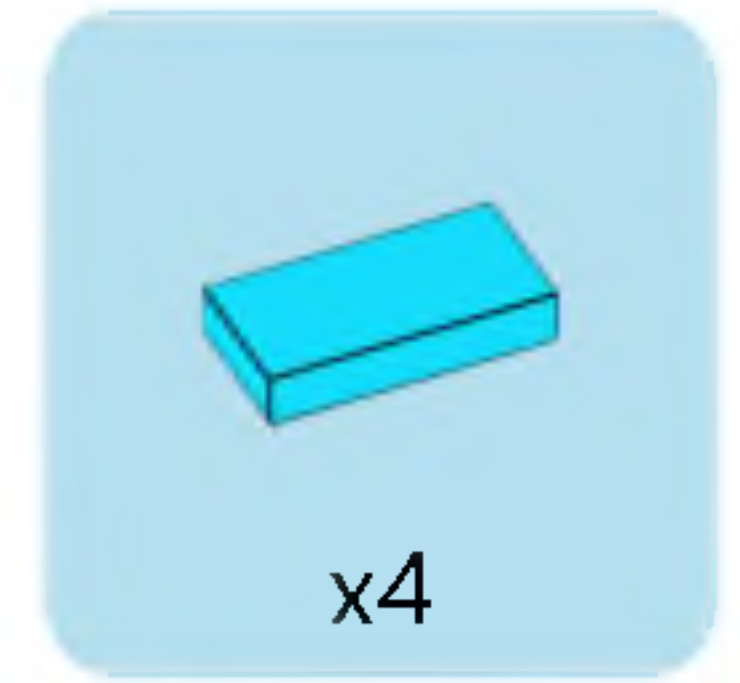
makervoid

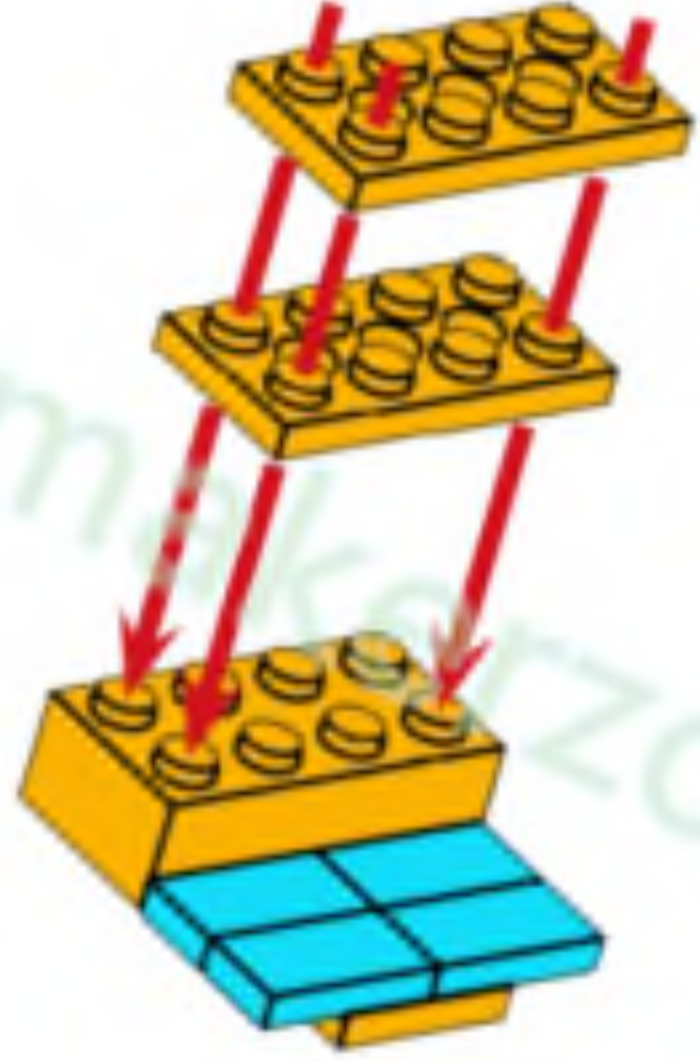




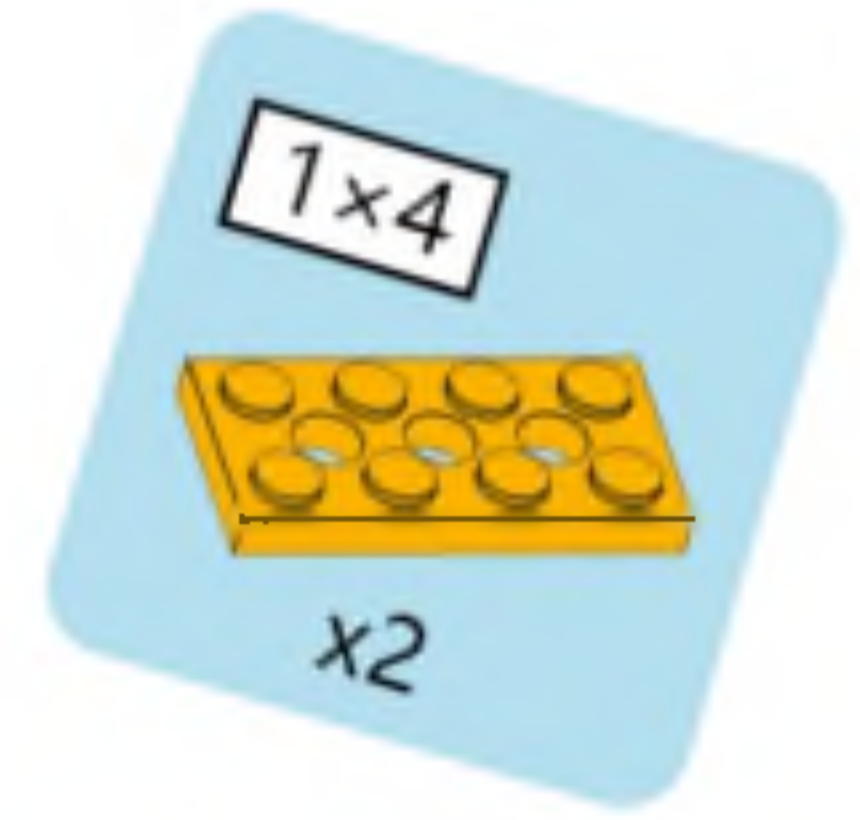


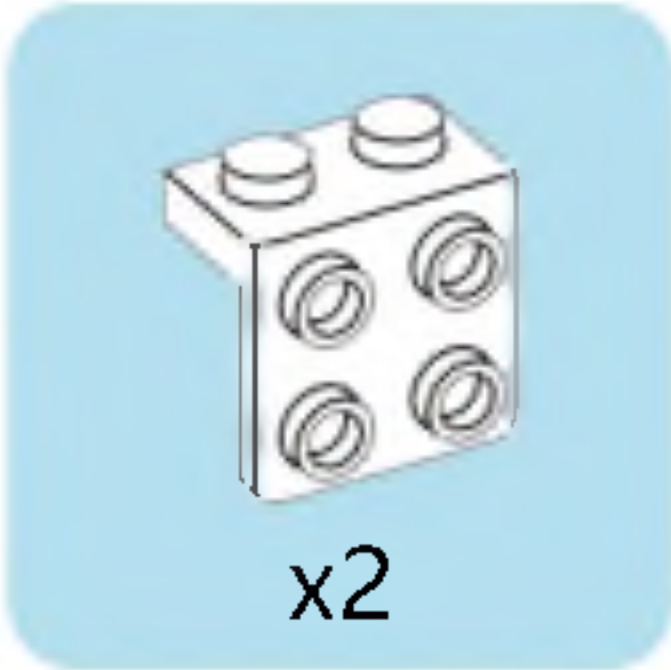
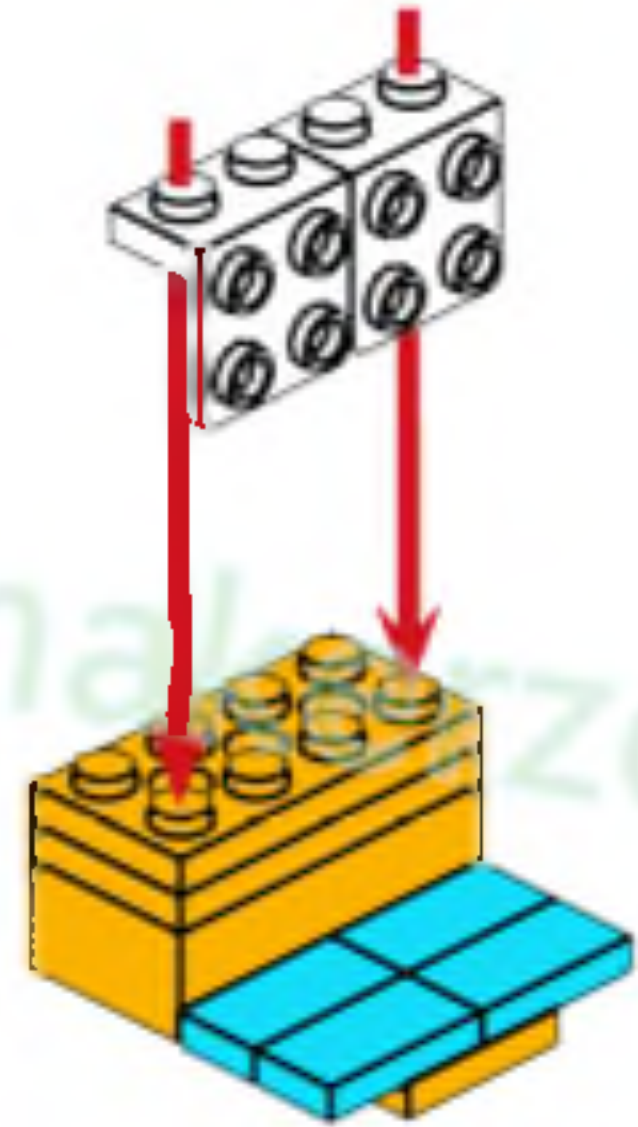
makerzoid



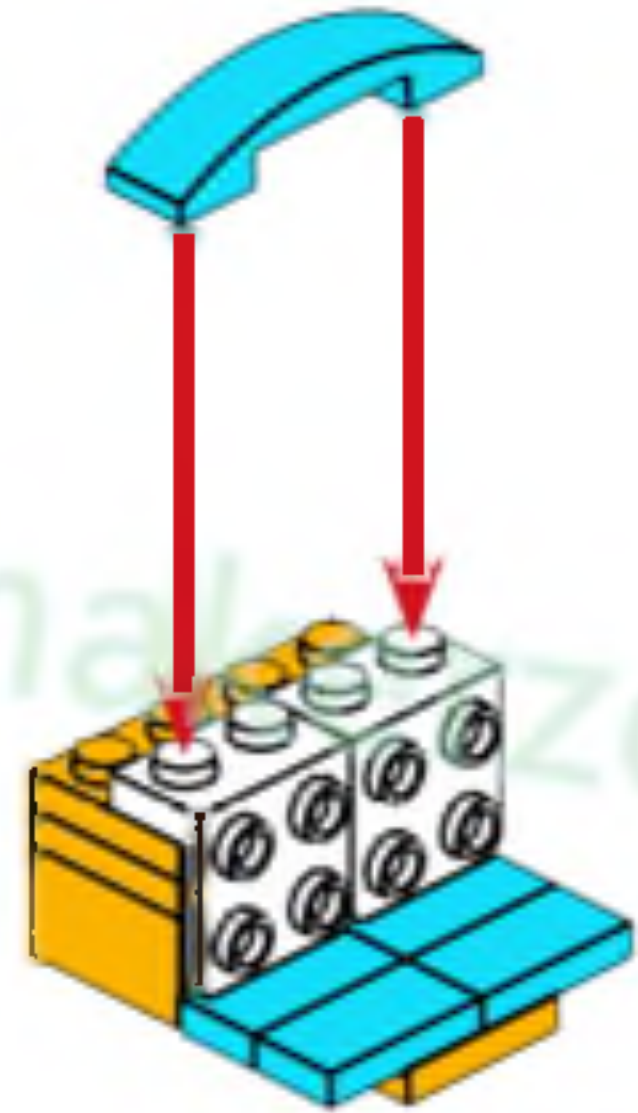


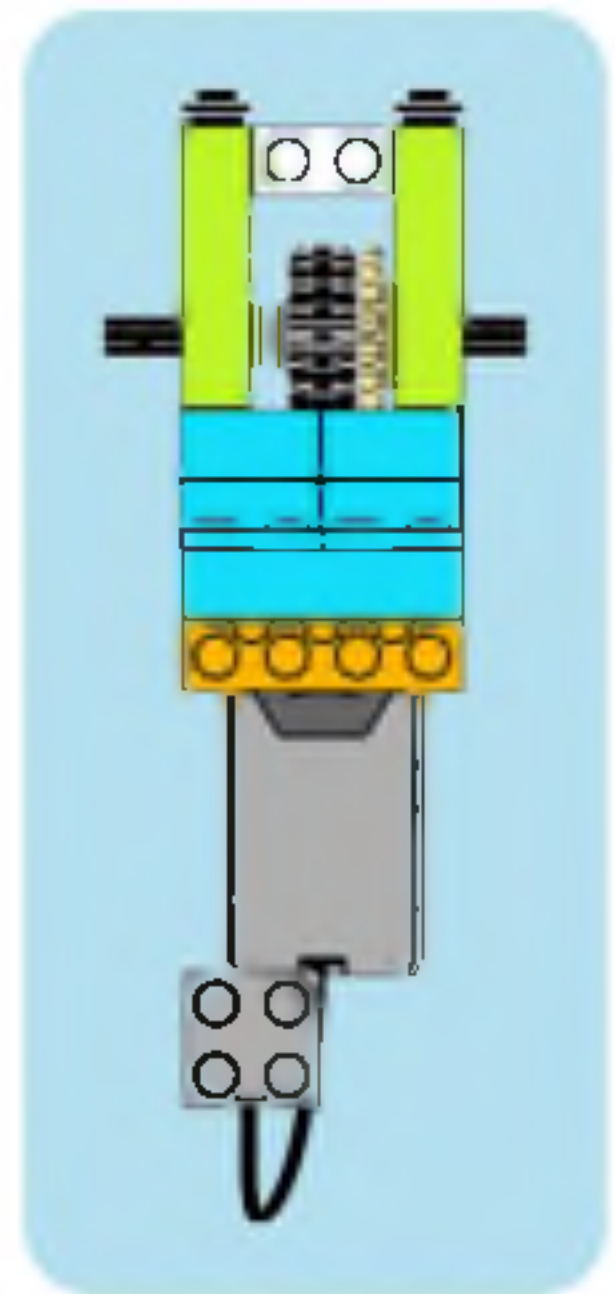
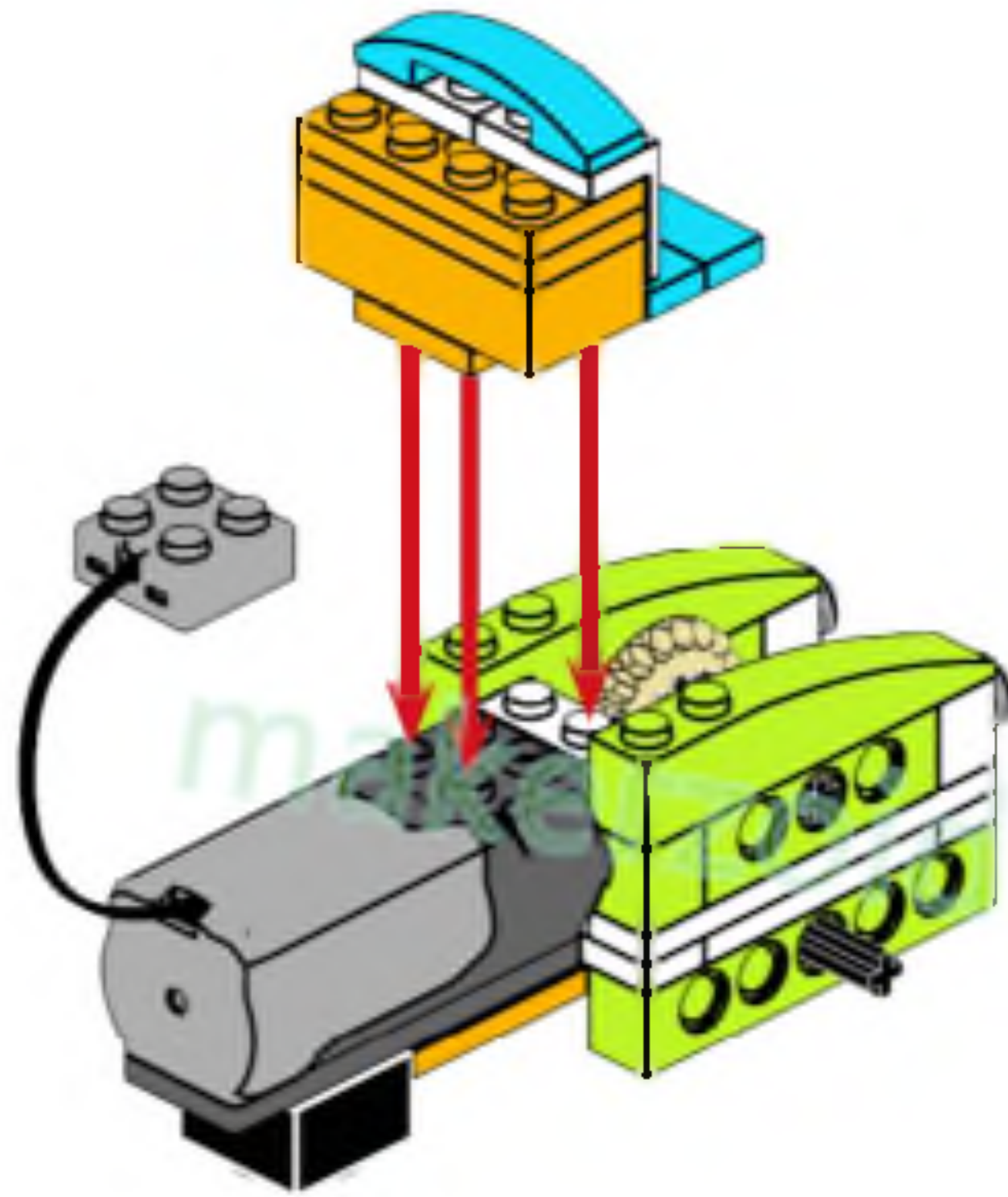
makerzoid

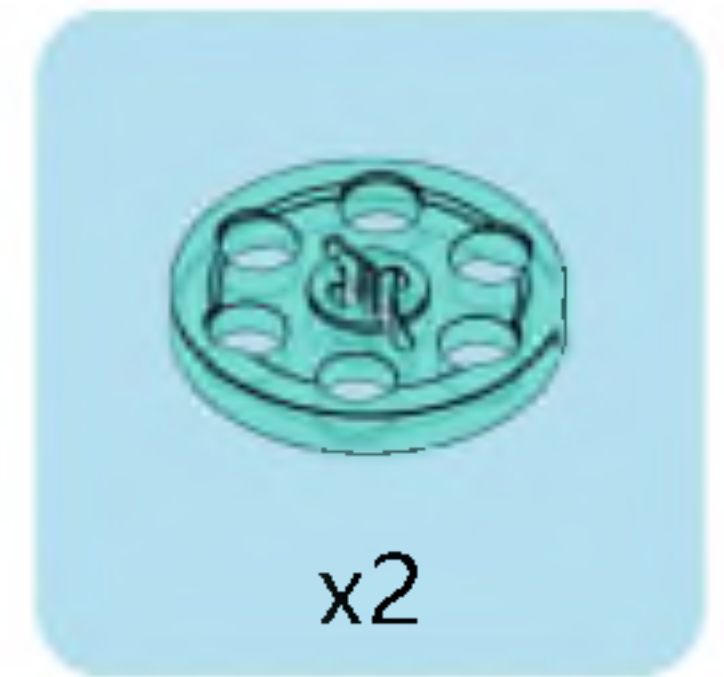
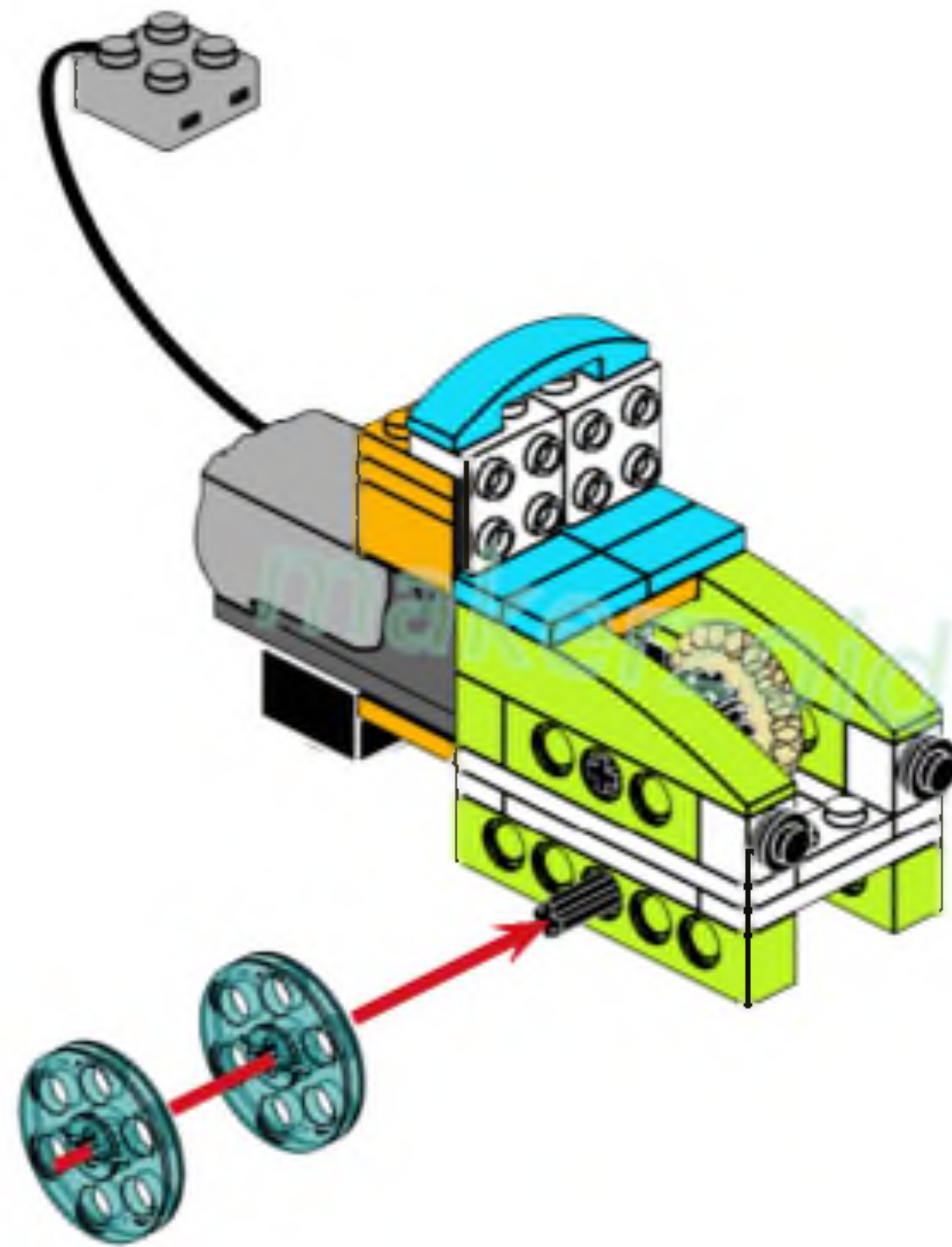


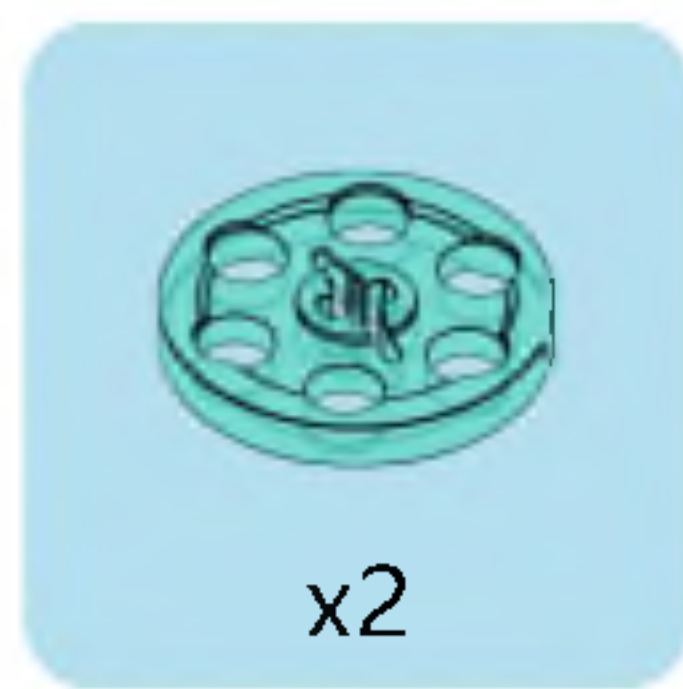
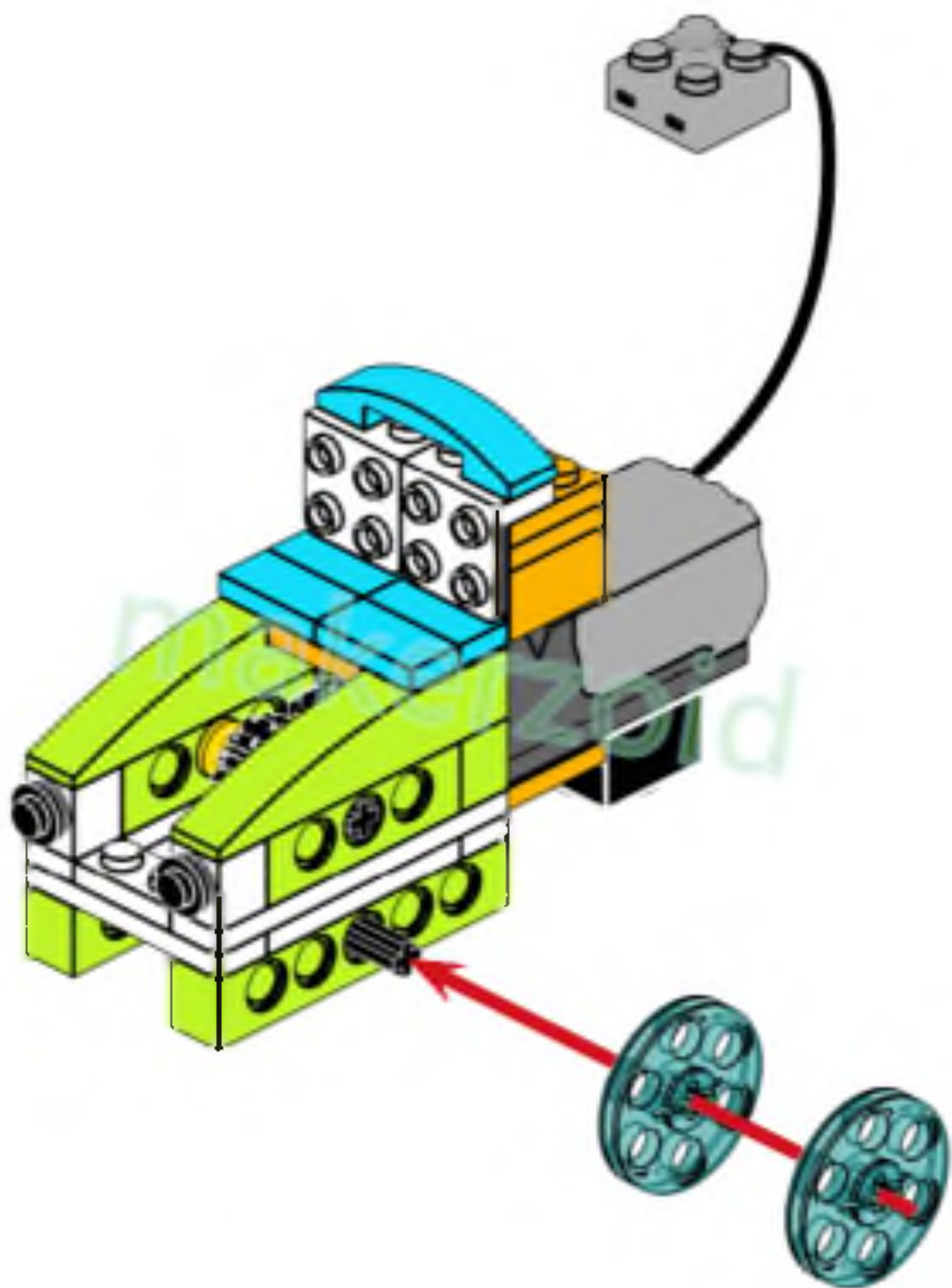


makrroid







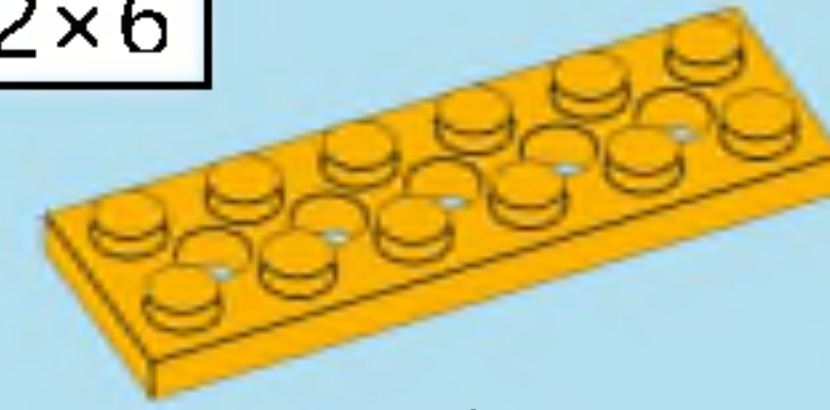






makerzoid

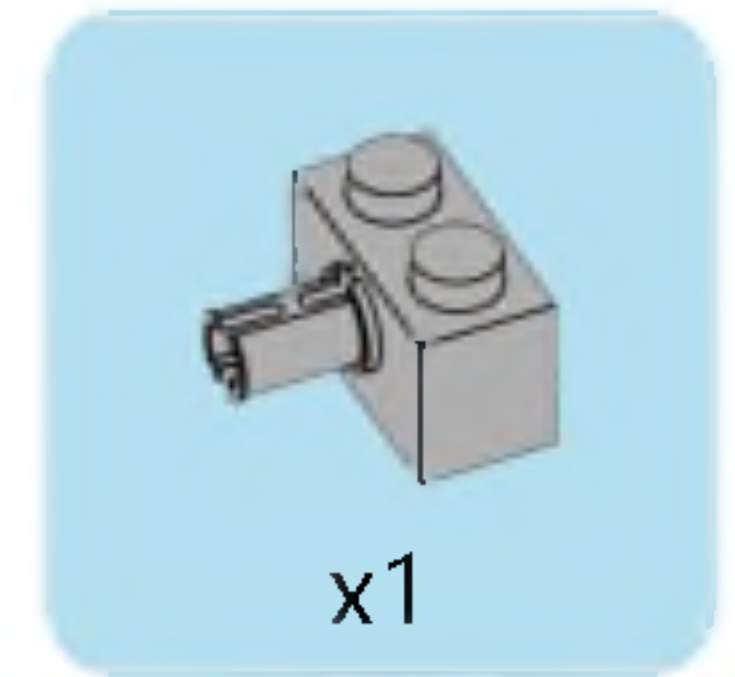
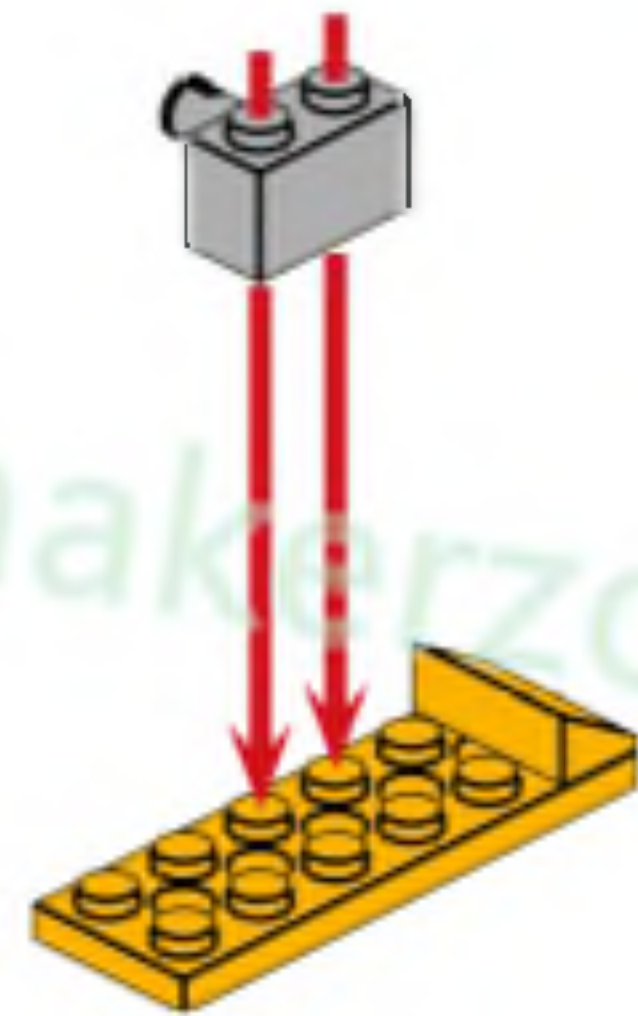
2x6



x1



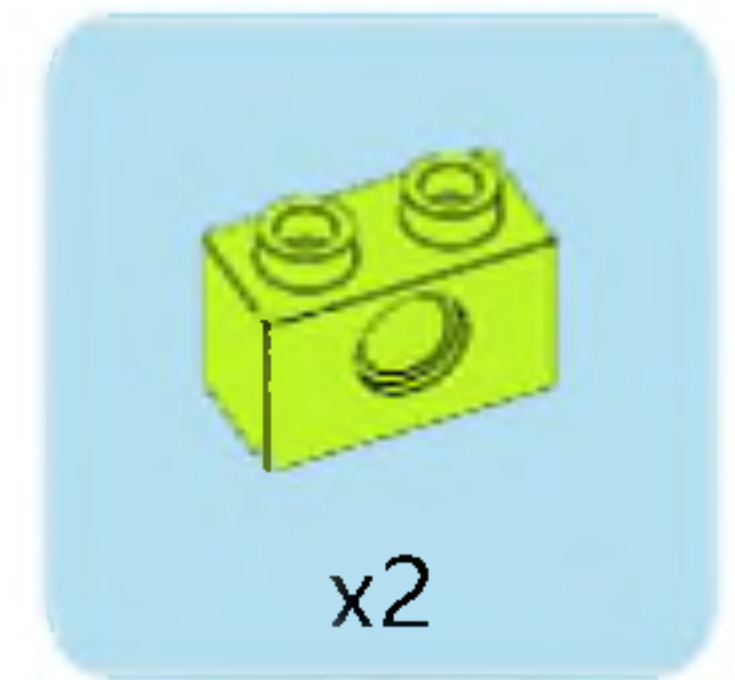
x1



makerzoid

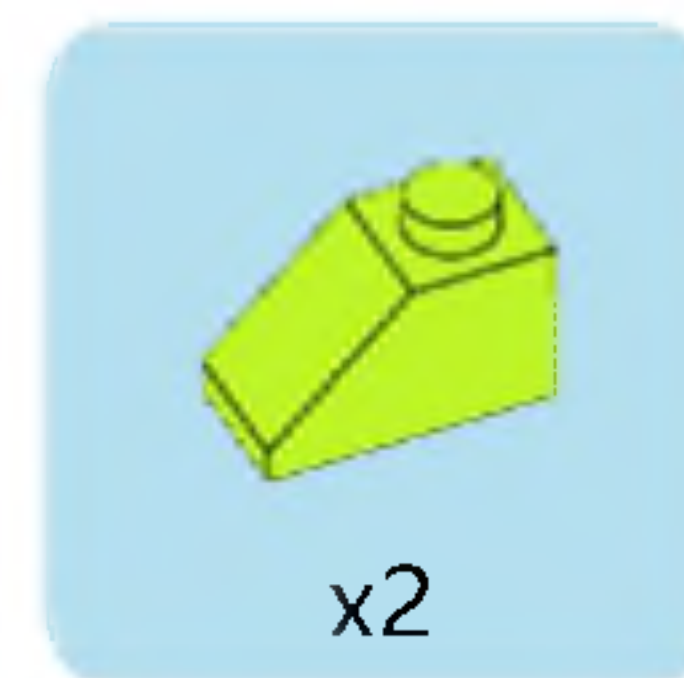


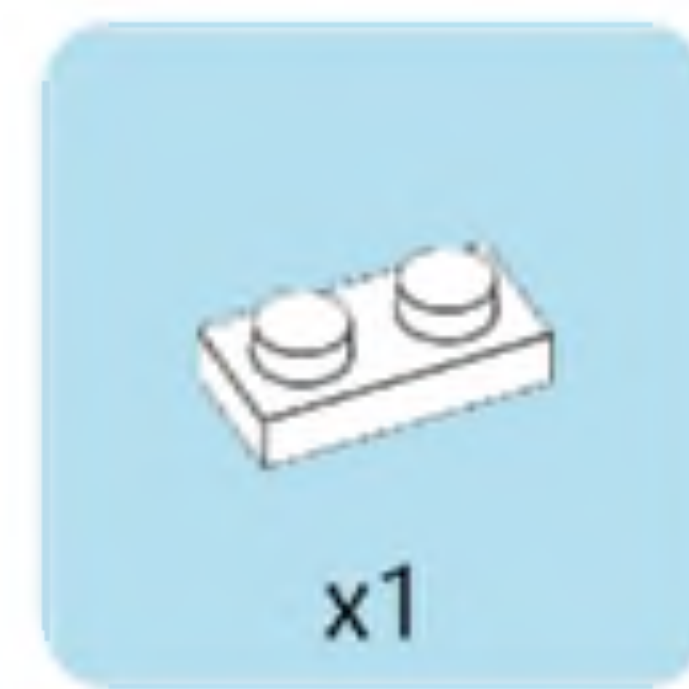
makerzoid



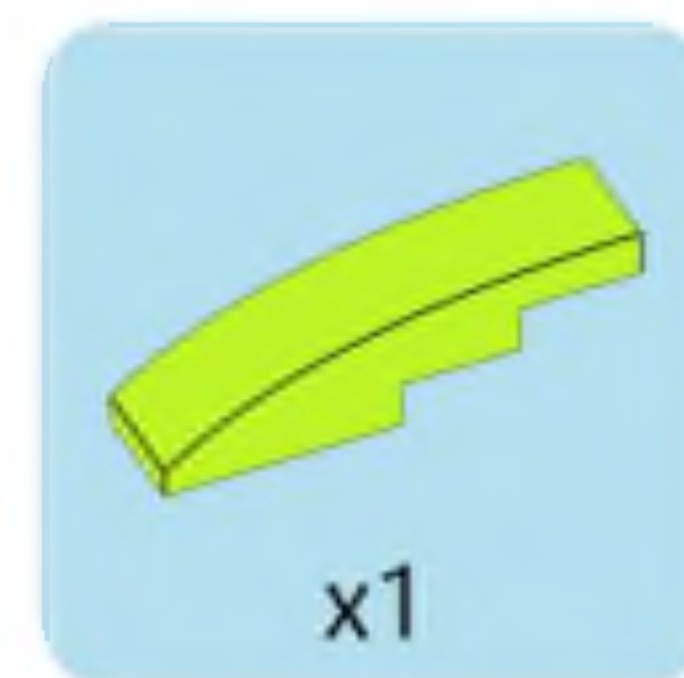


makerzoid

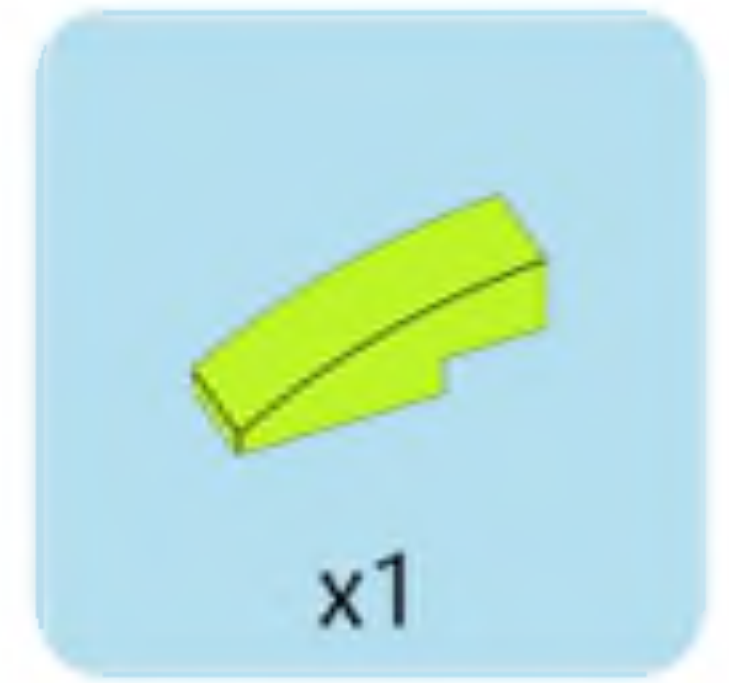
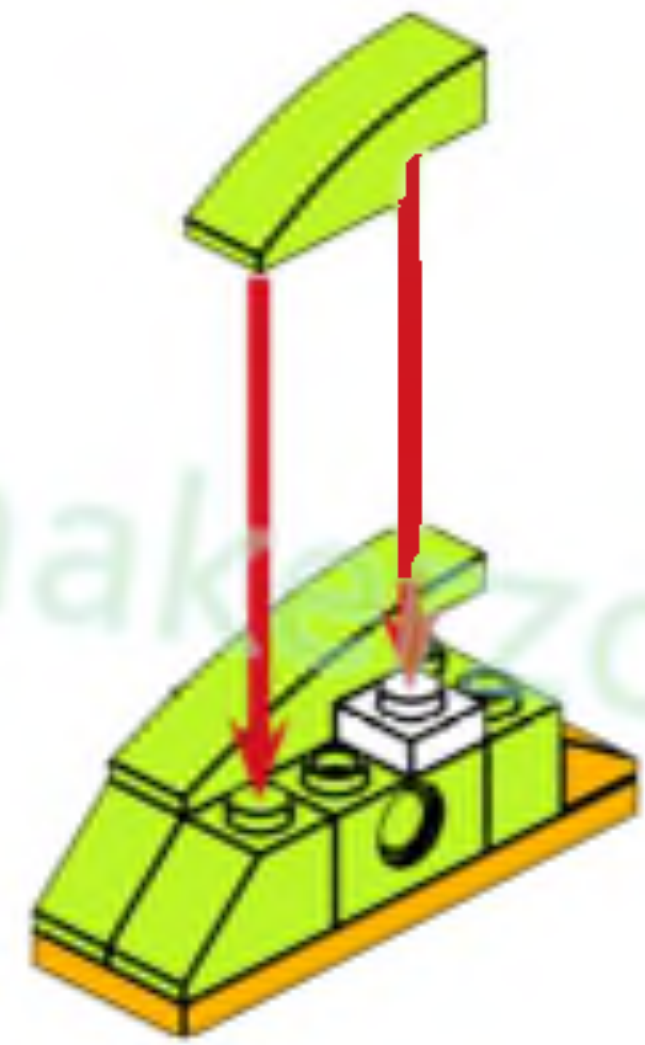




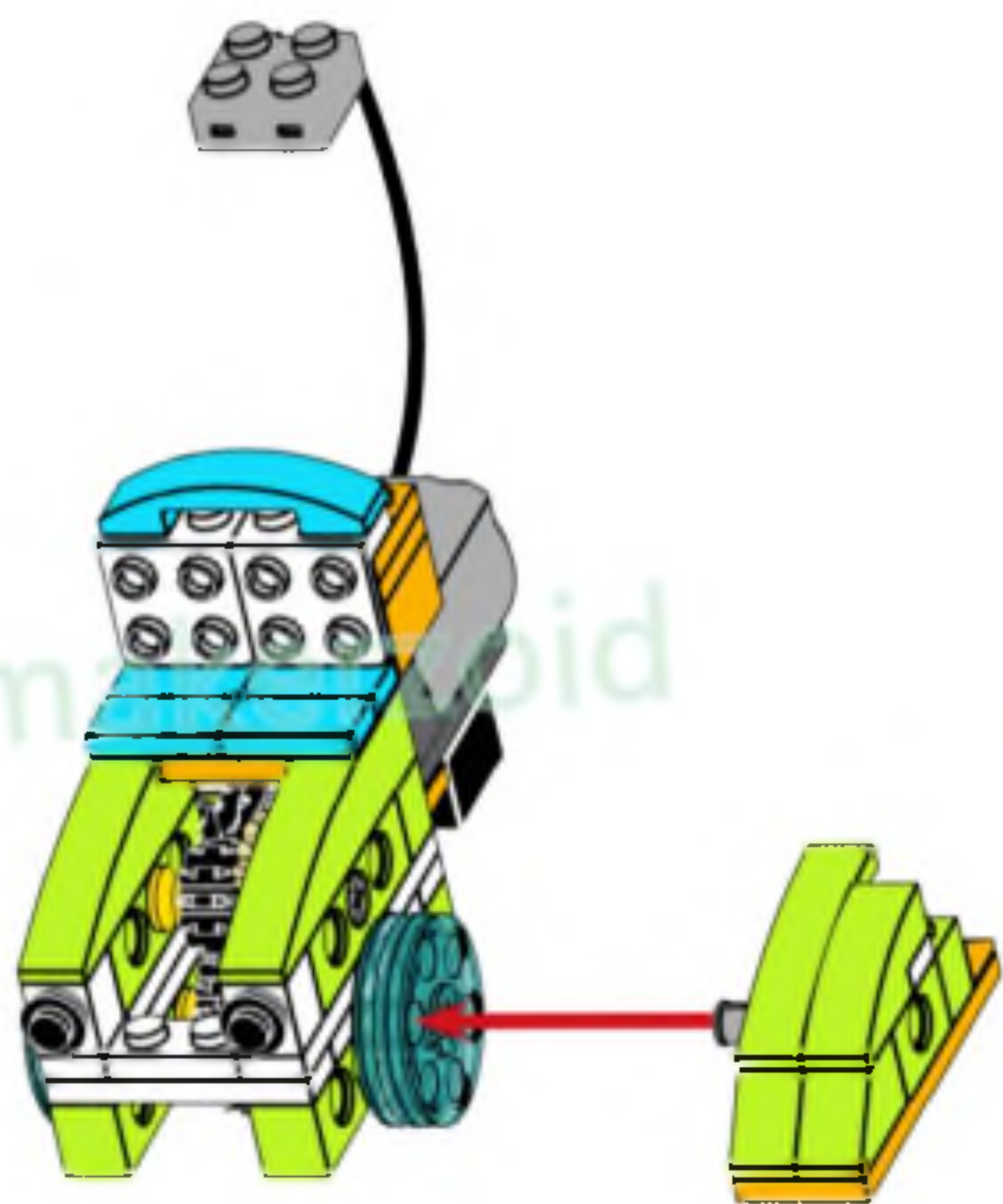
makerzoid



makerzoid



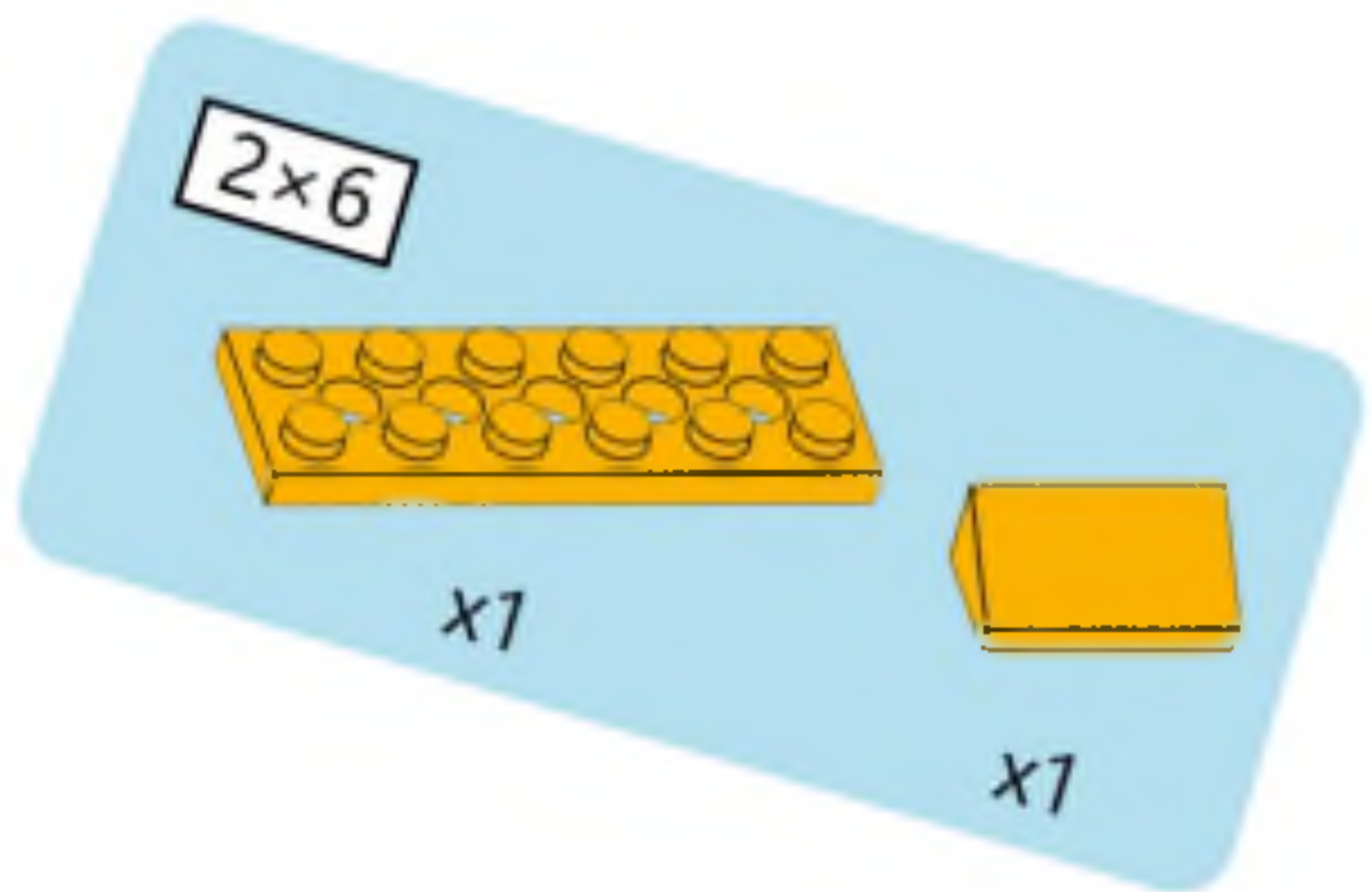
makezoid

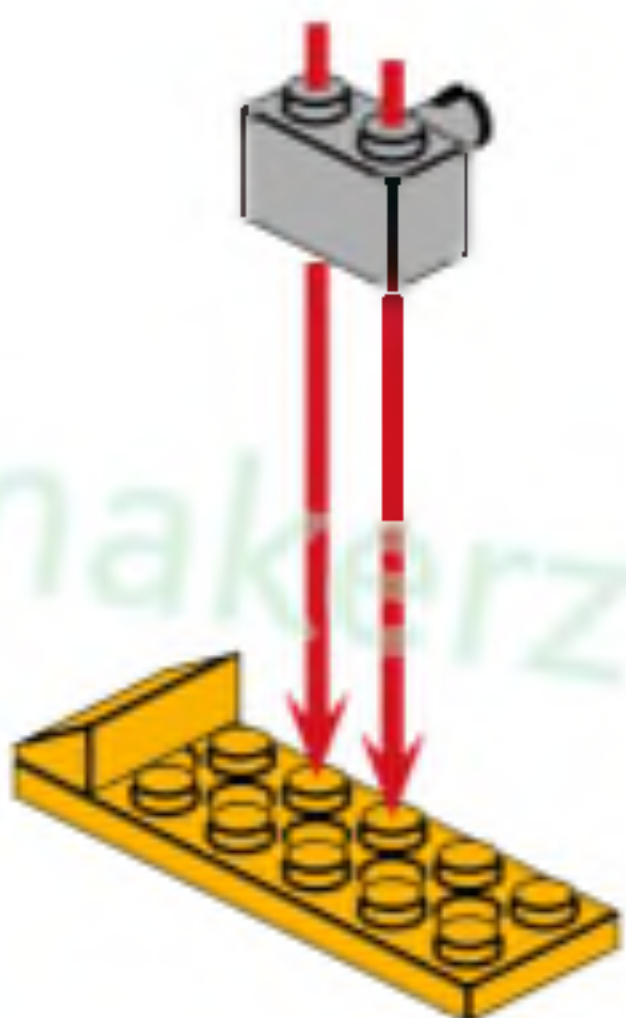




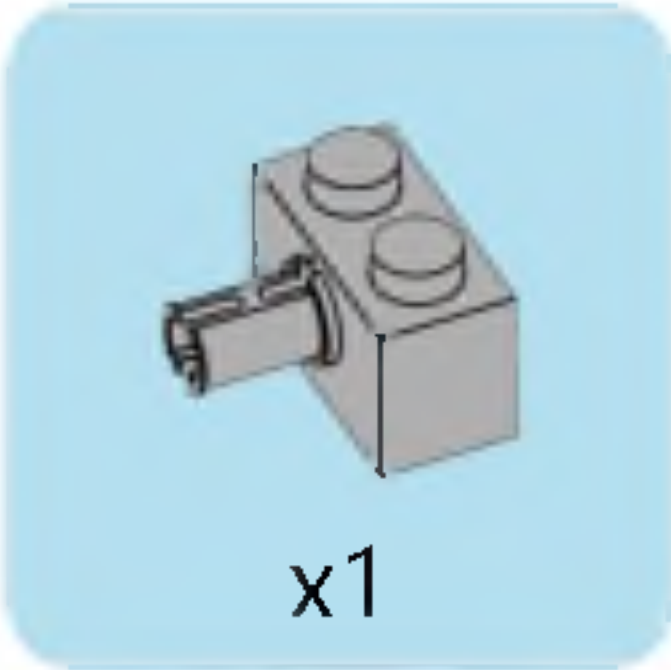


makerzoid



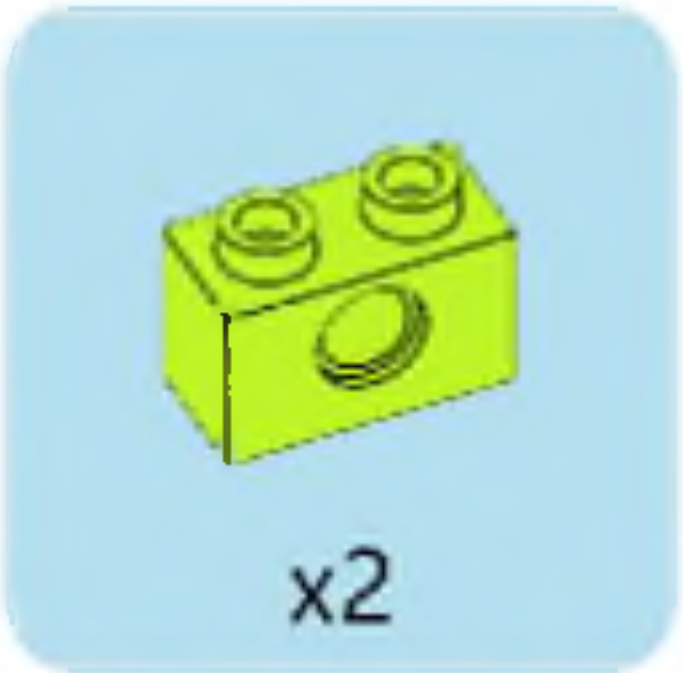


makerzoid



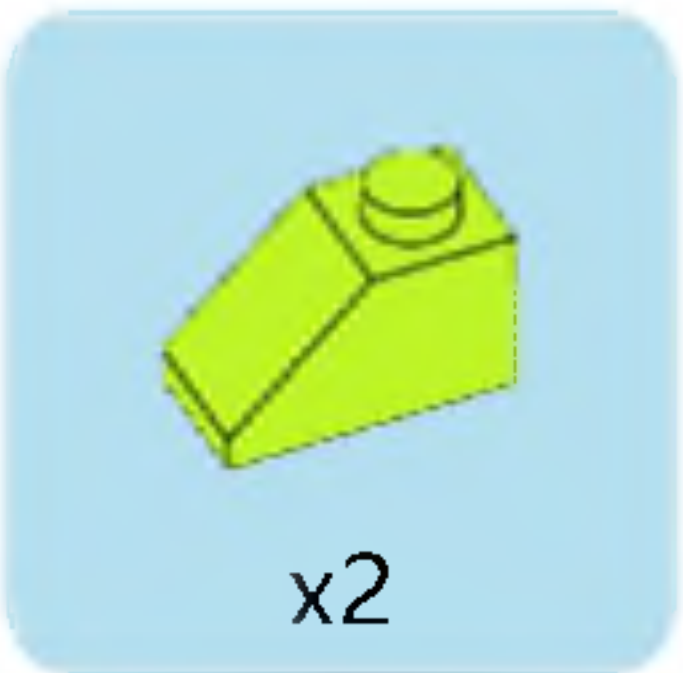


makerzoid



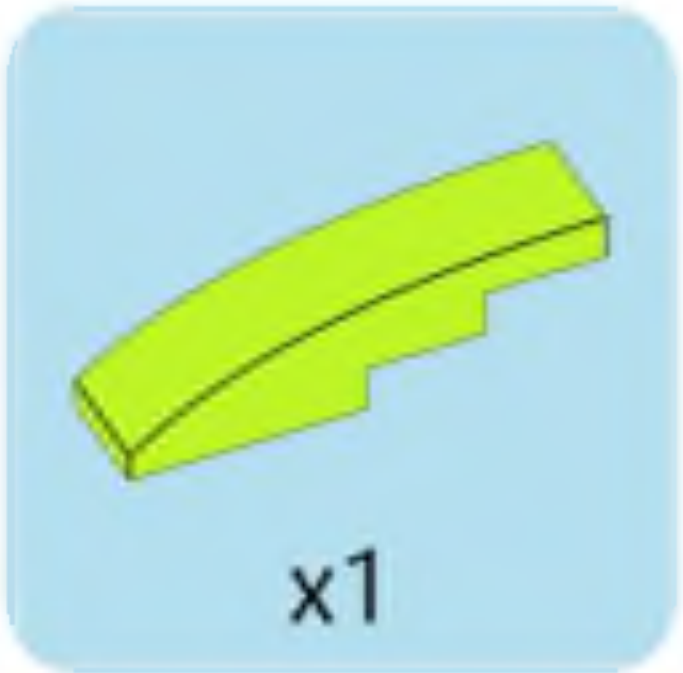


makerzoid

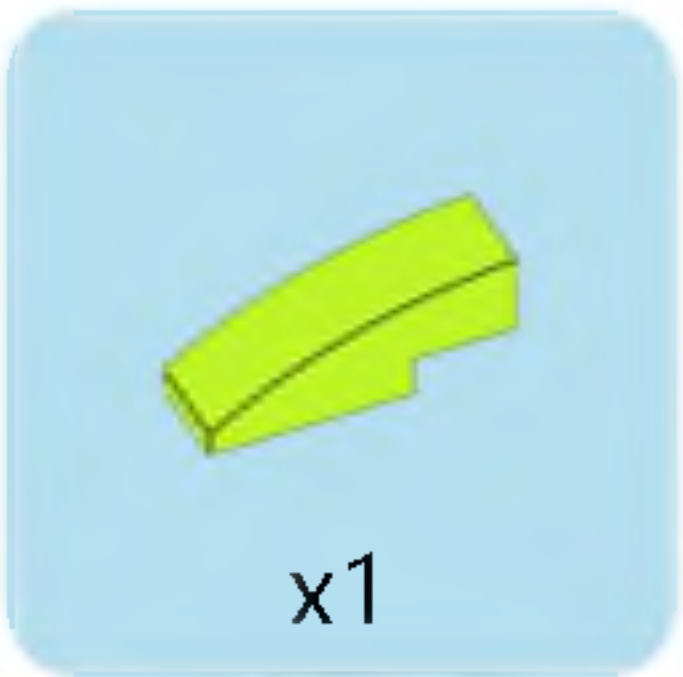
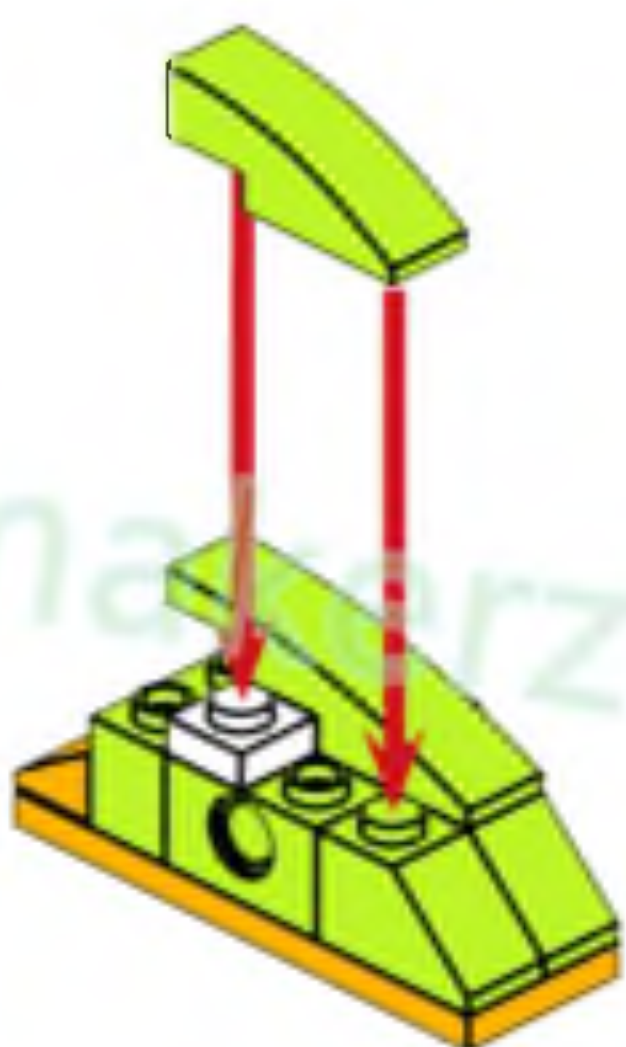




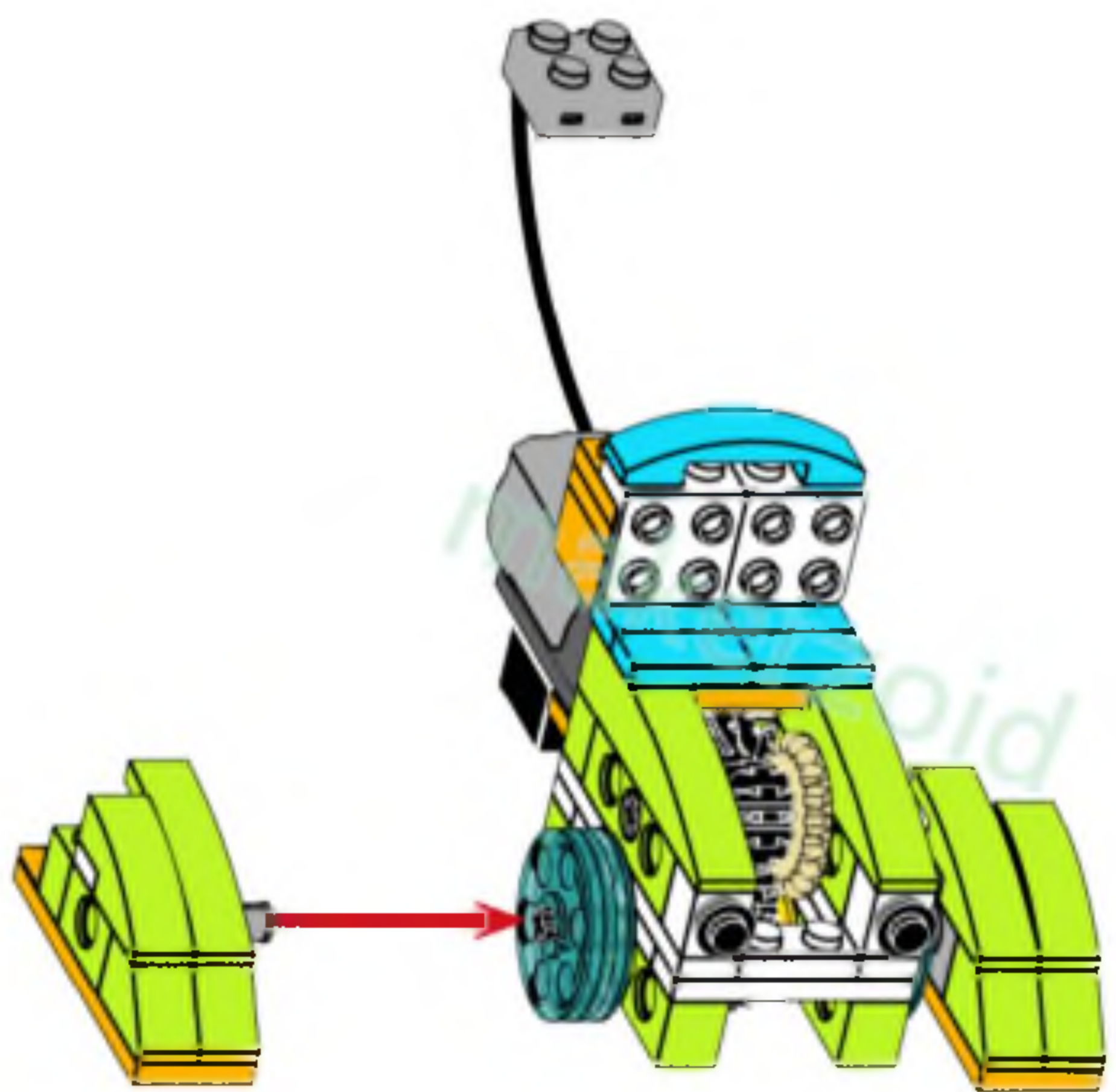
makerzoid



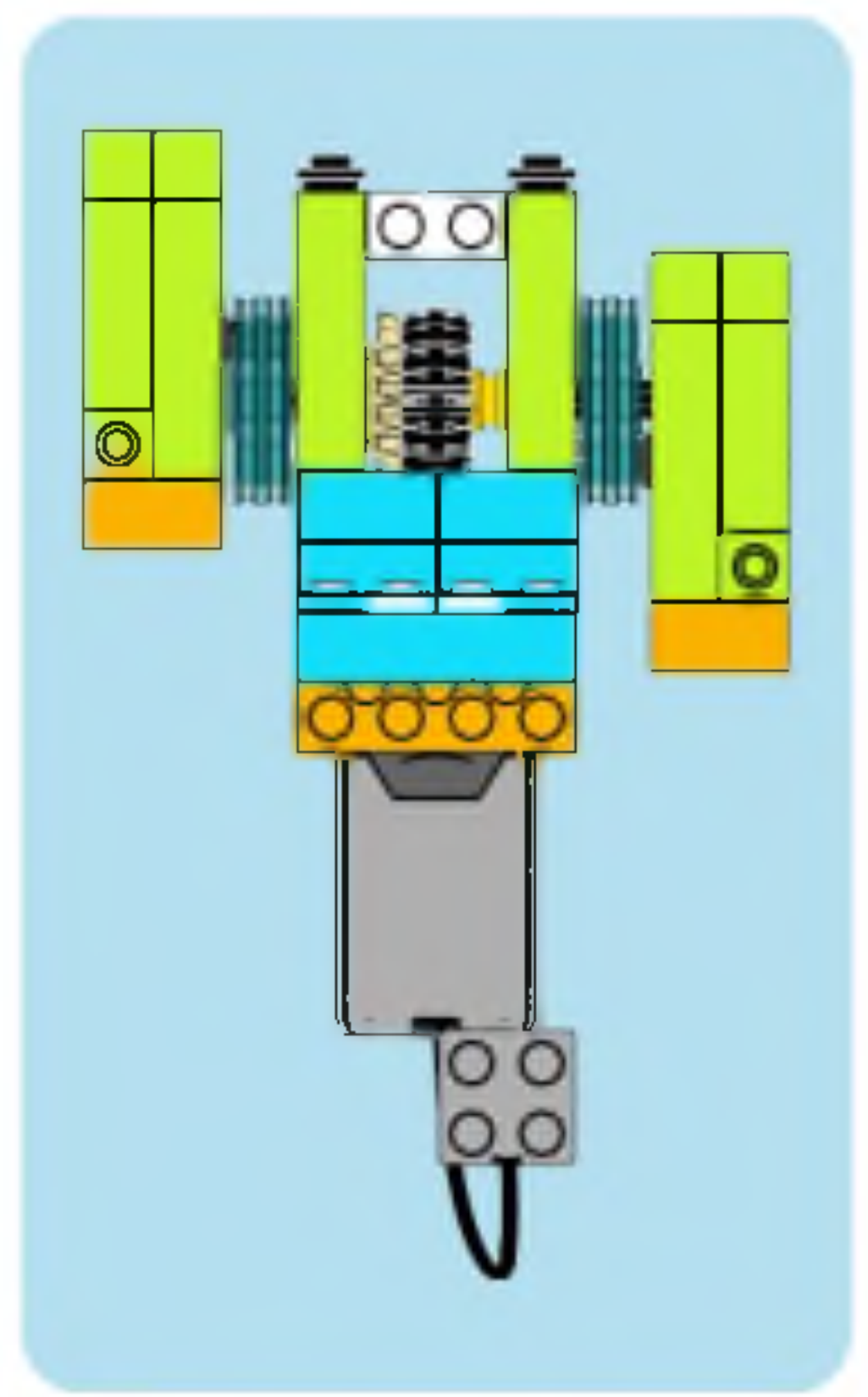
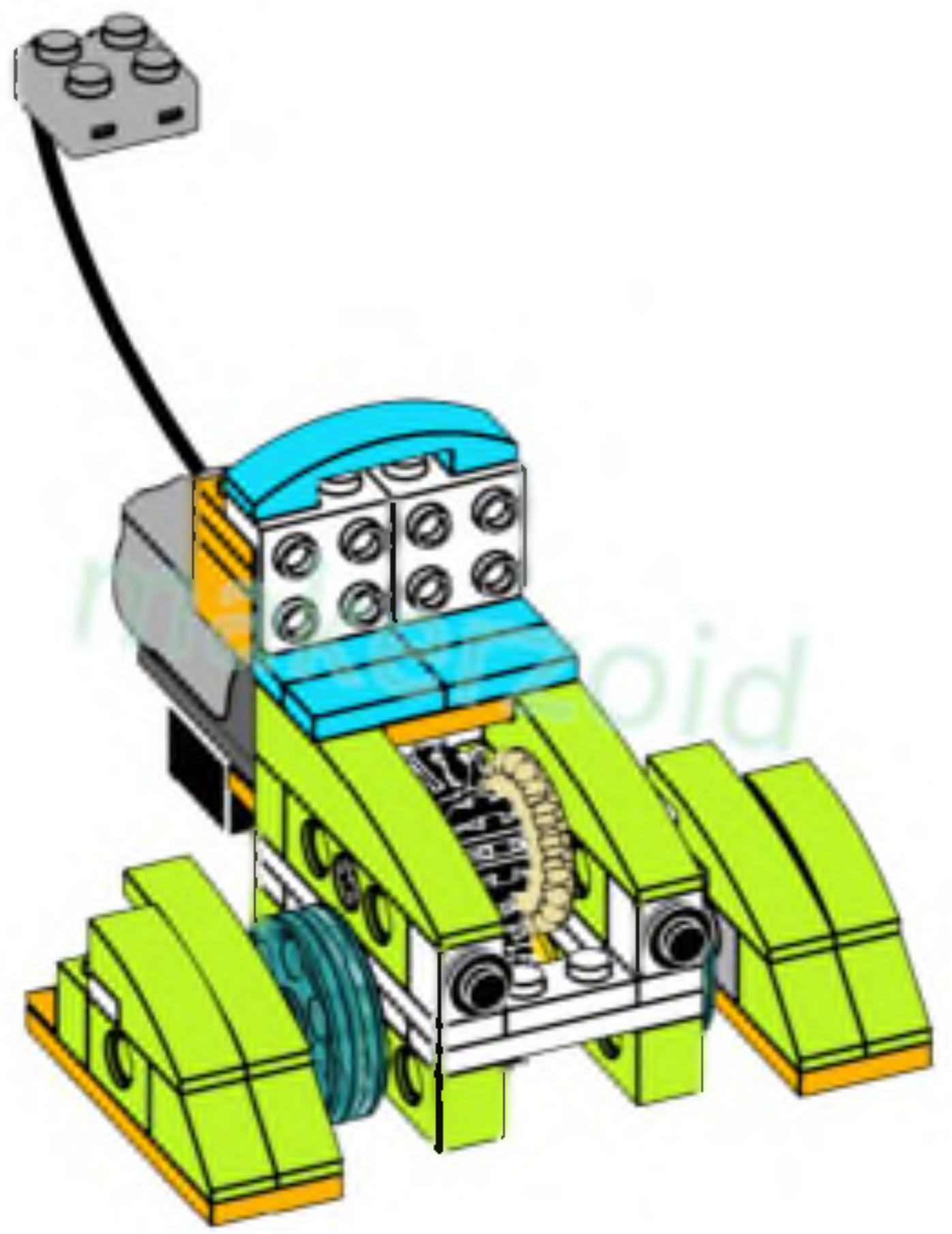
makerzoid

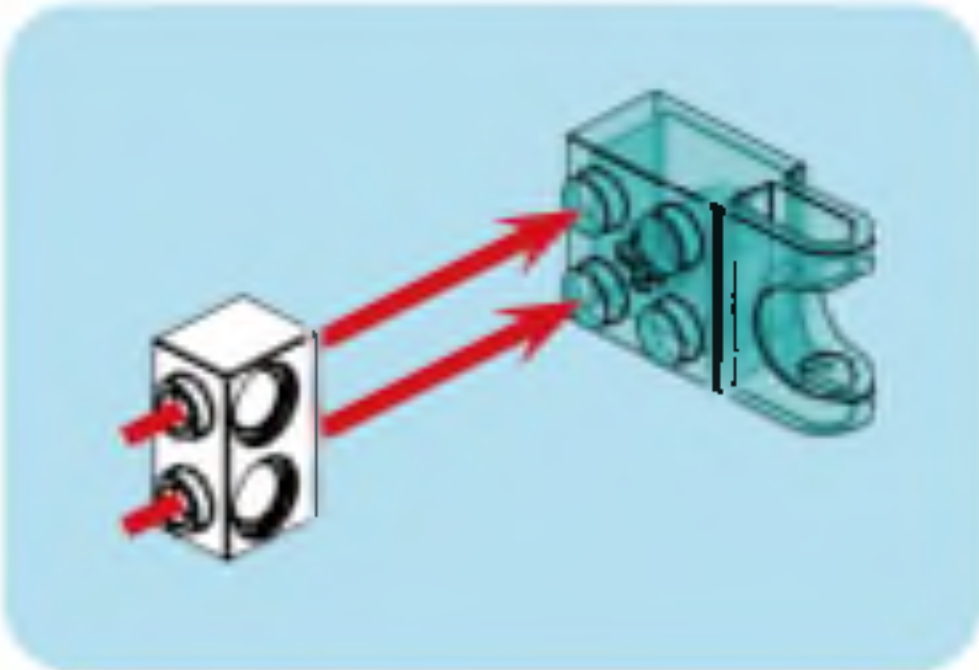
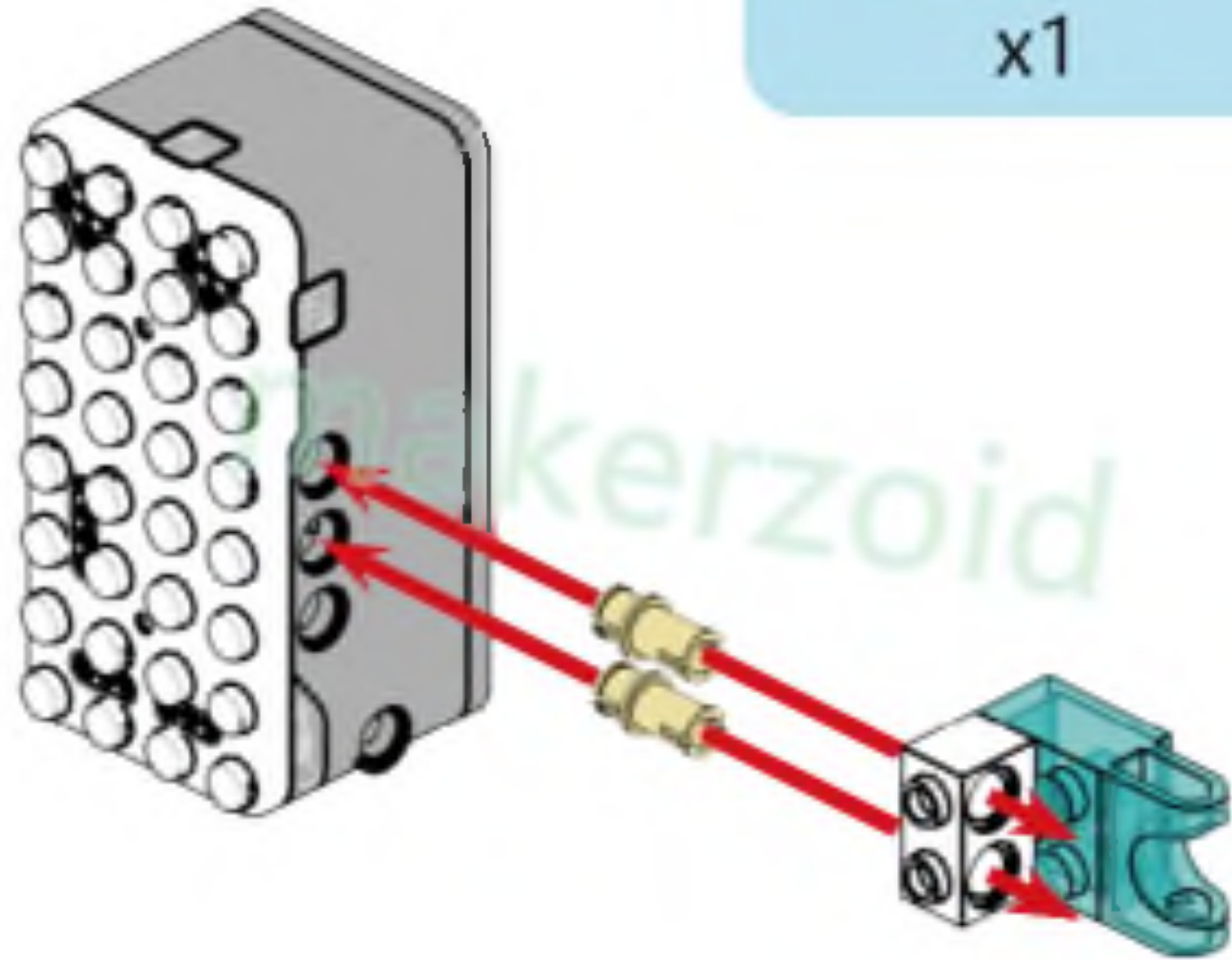
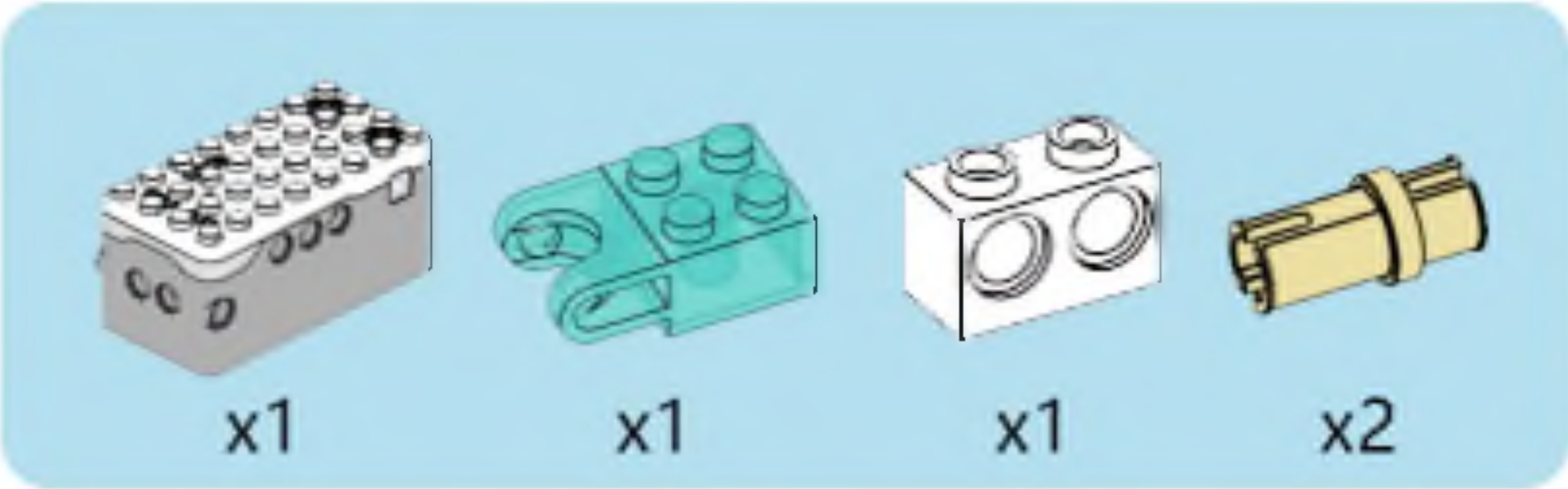


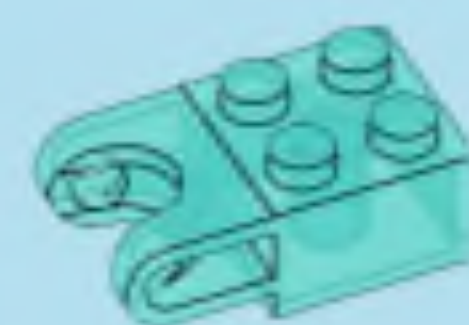
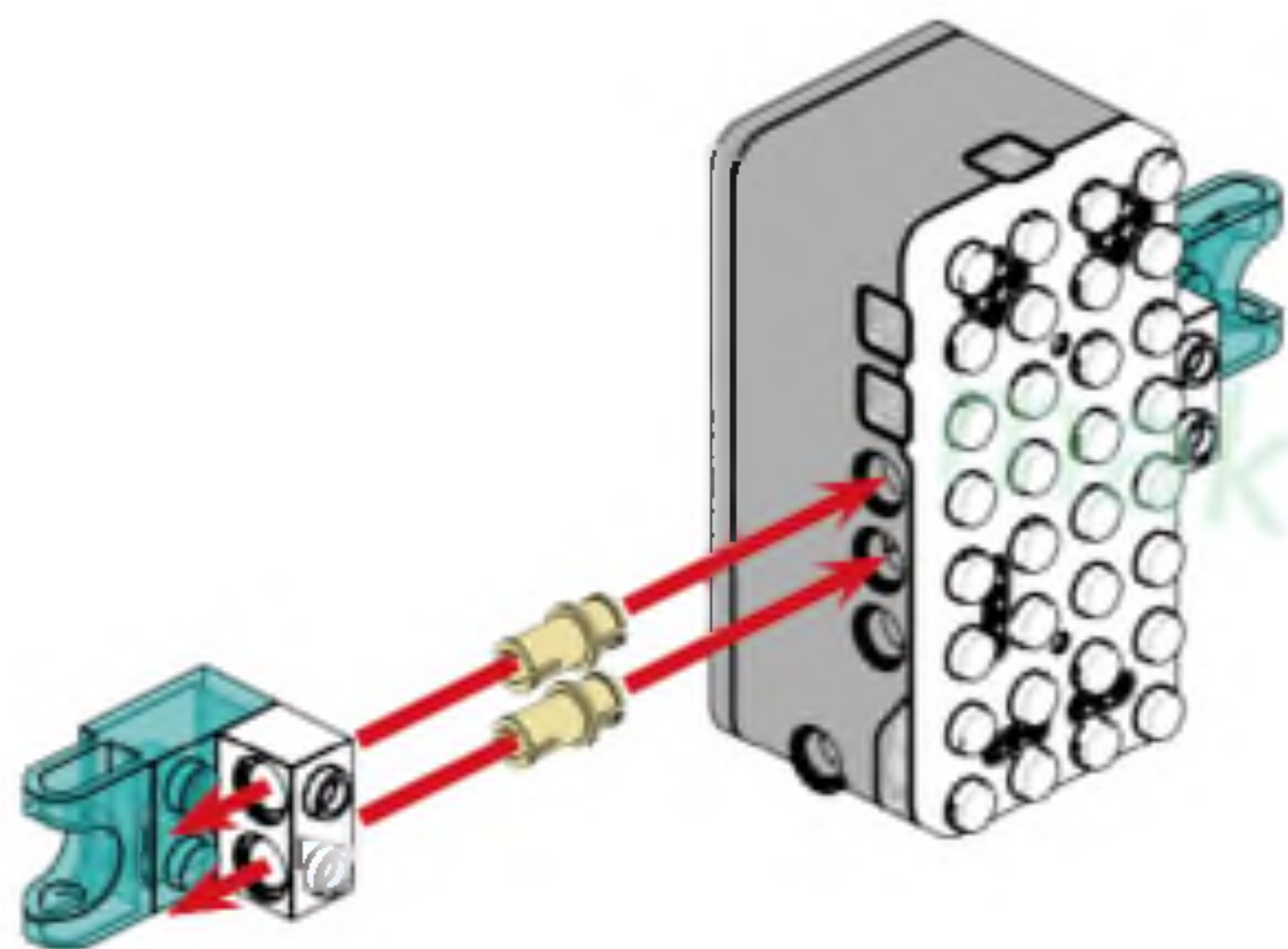
maxerzoid



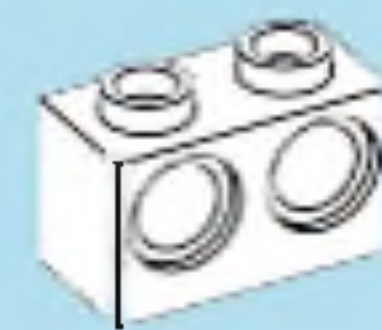








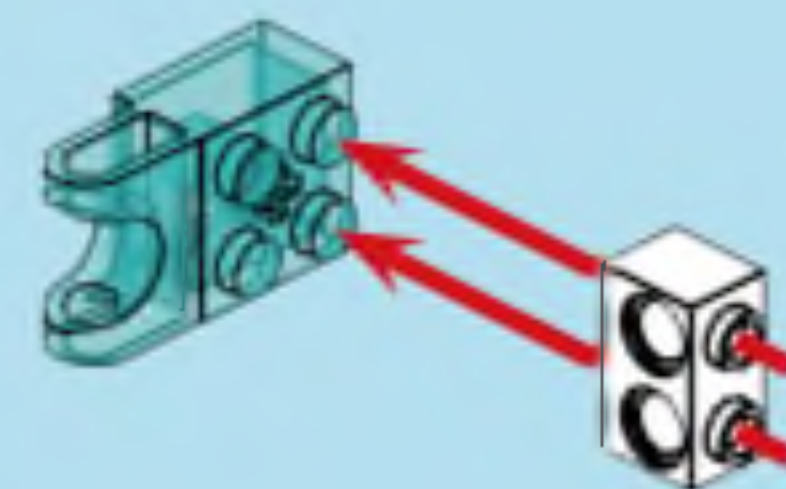
x1

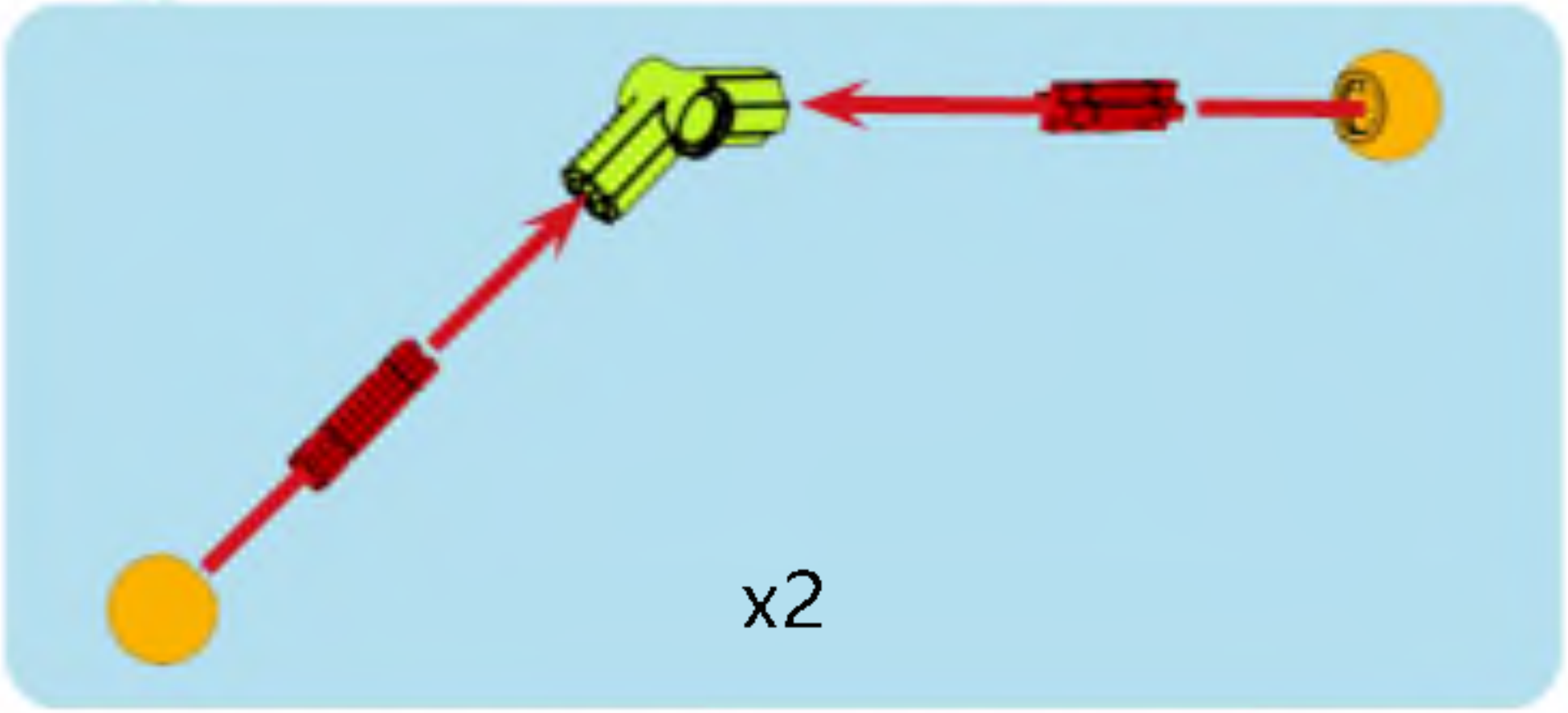
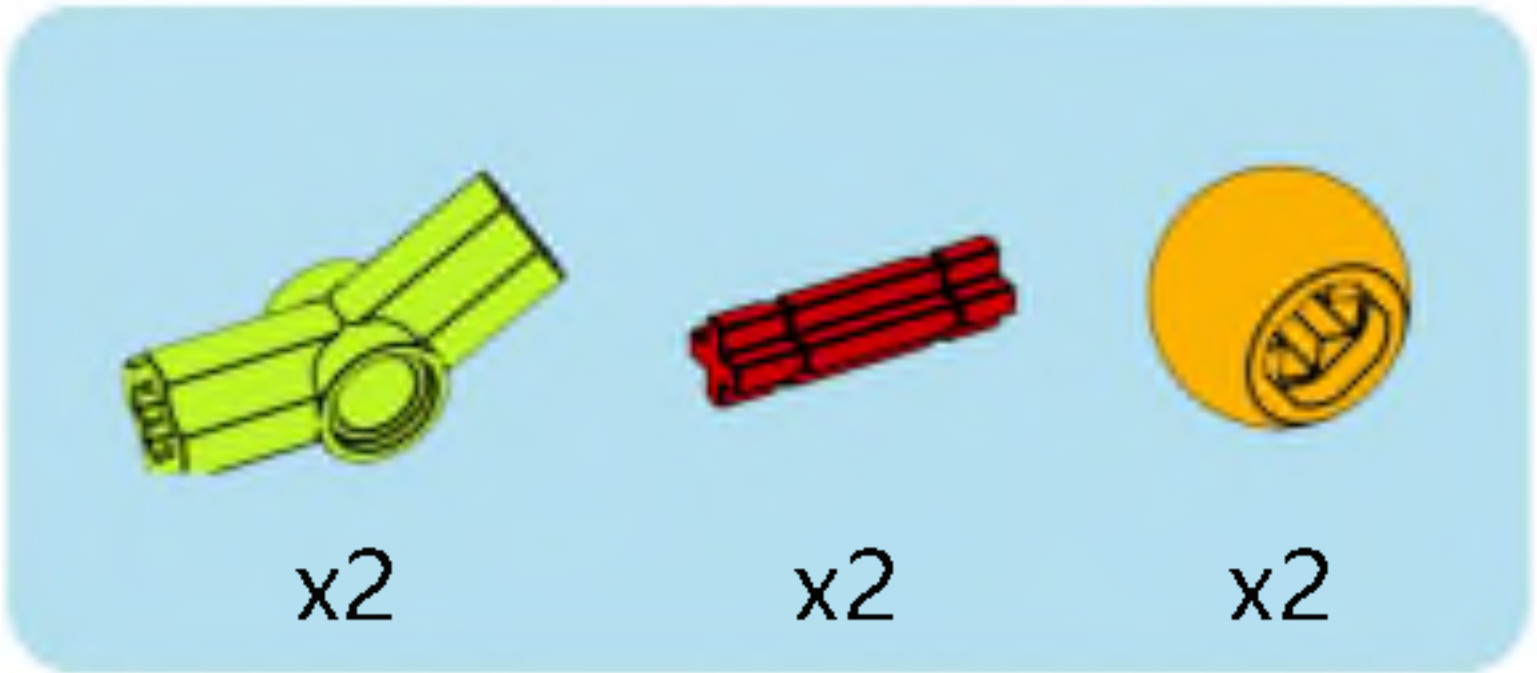
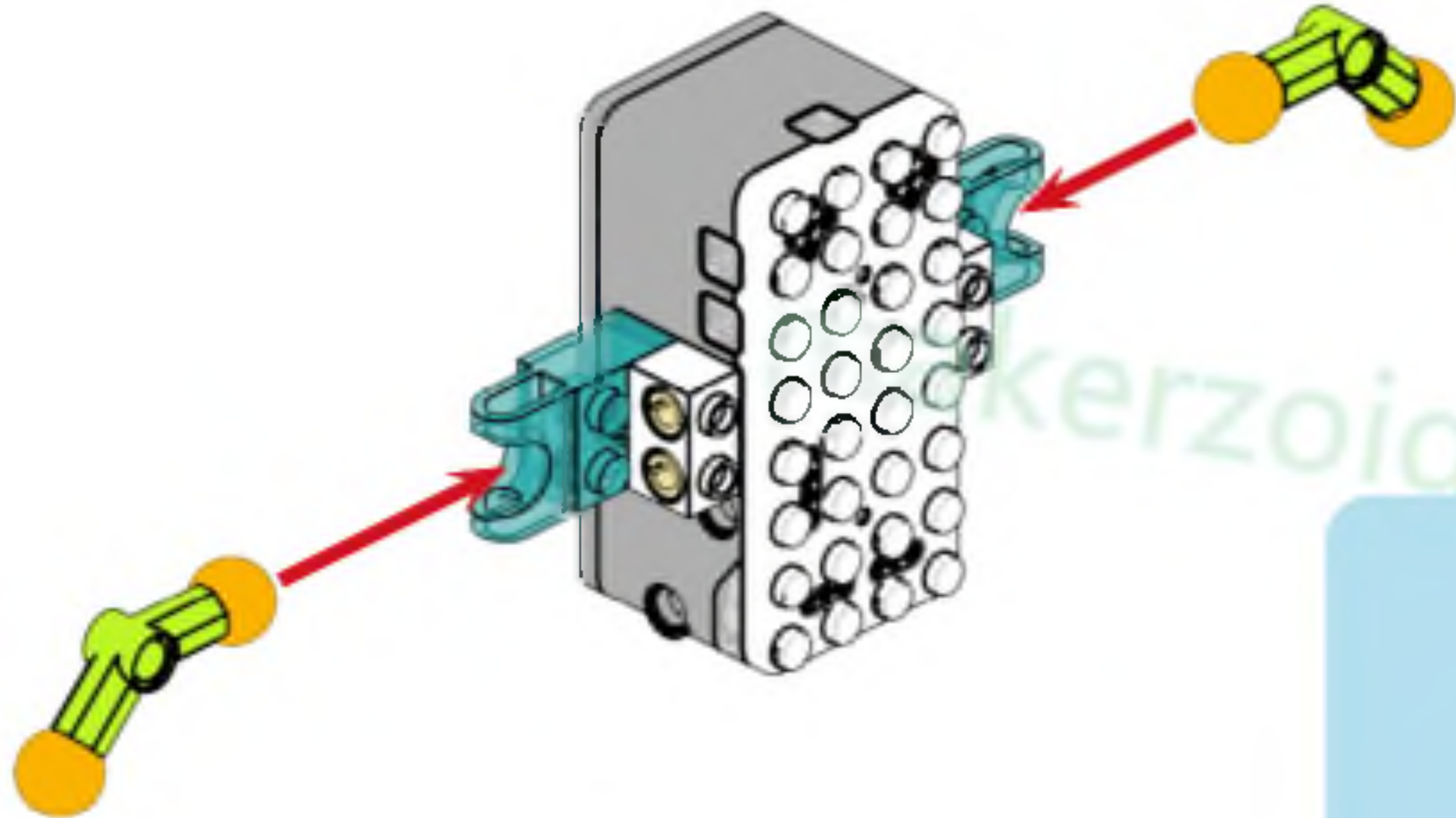


x1



x2





kerzoid

