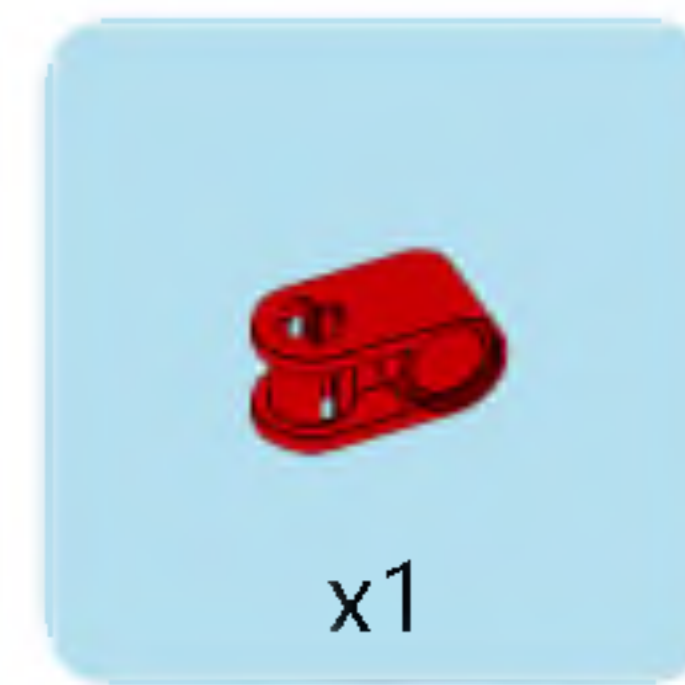
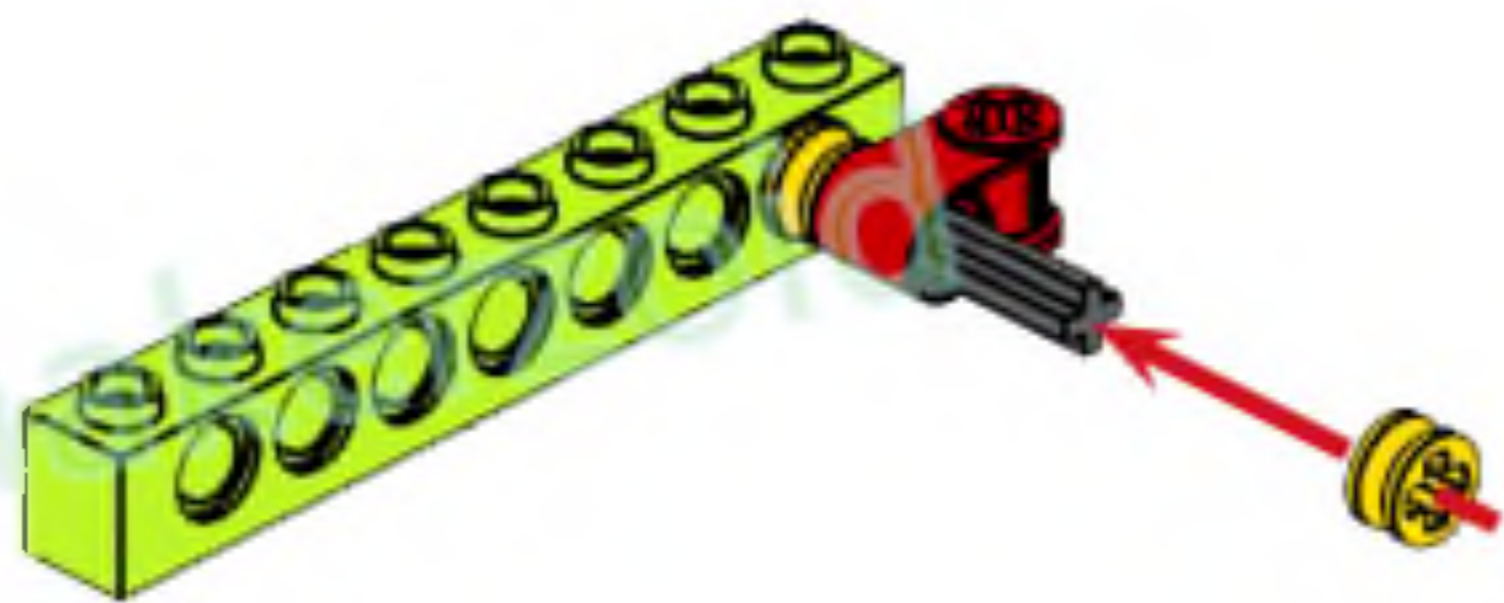
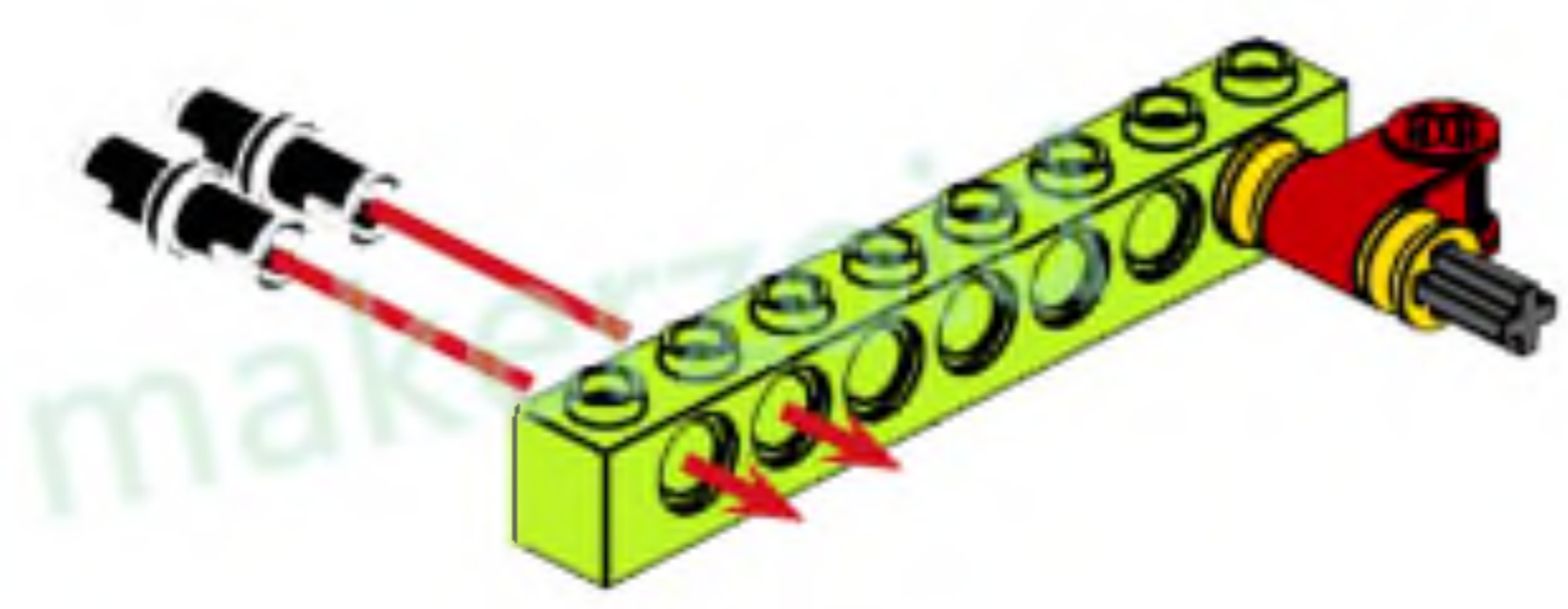


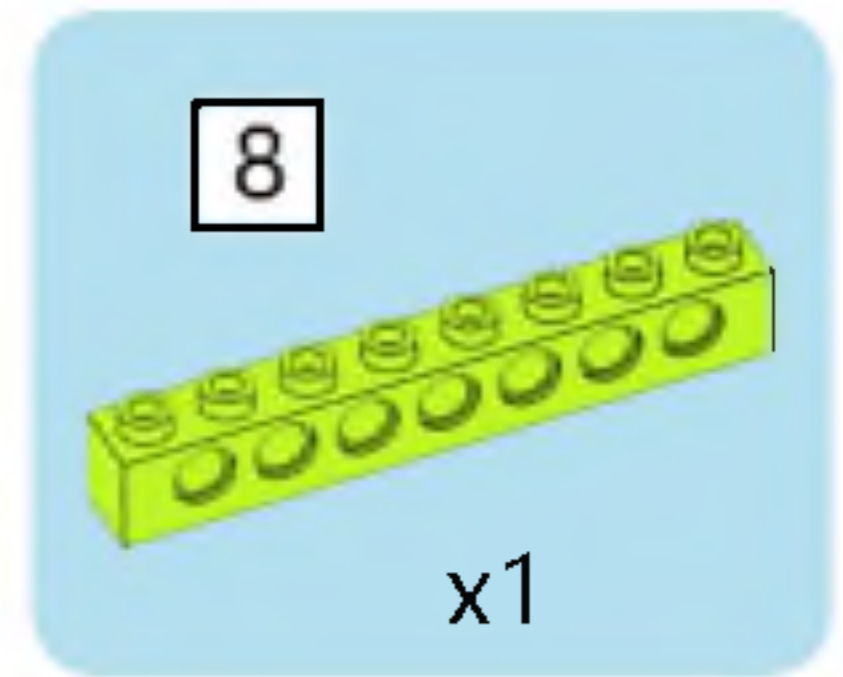
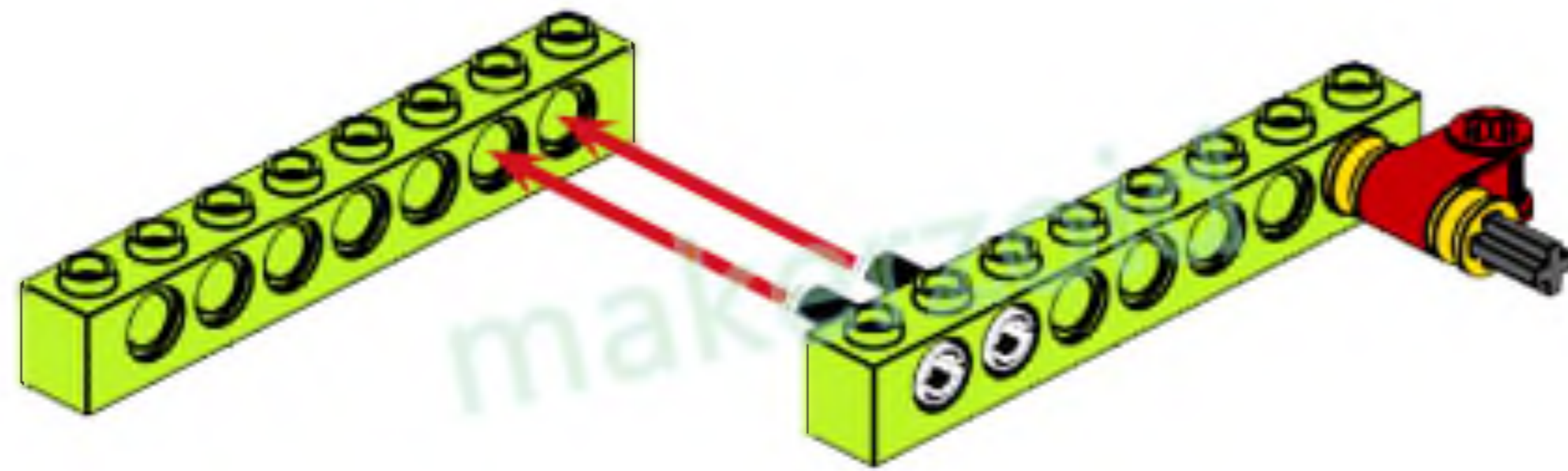
x1

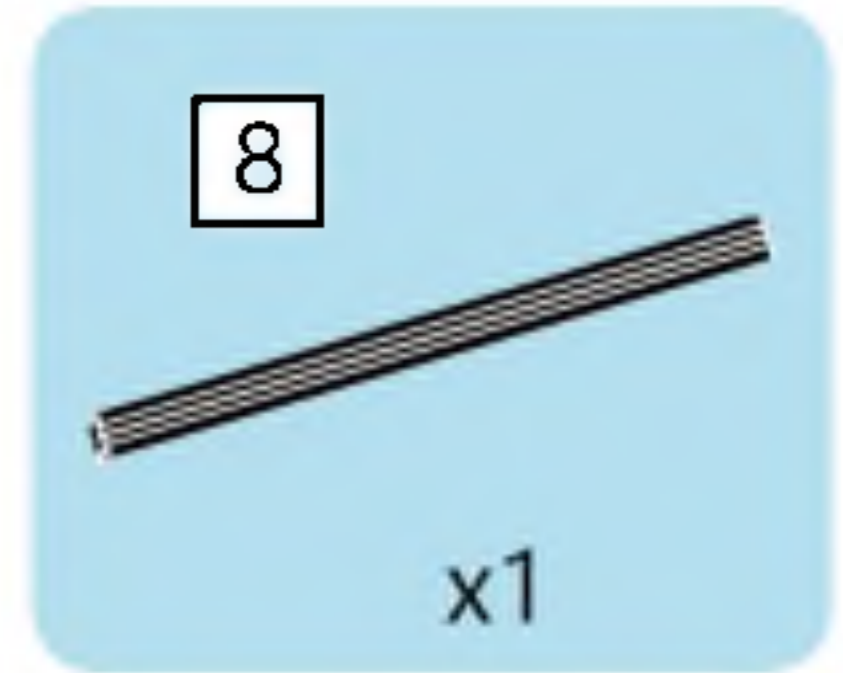
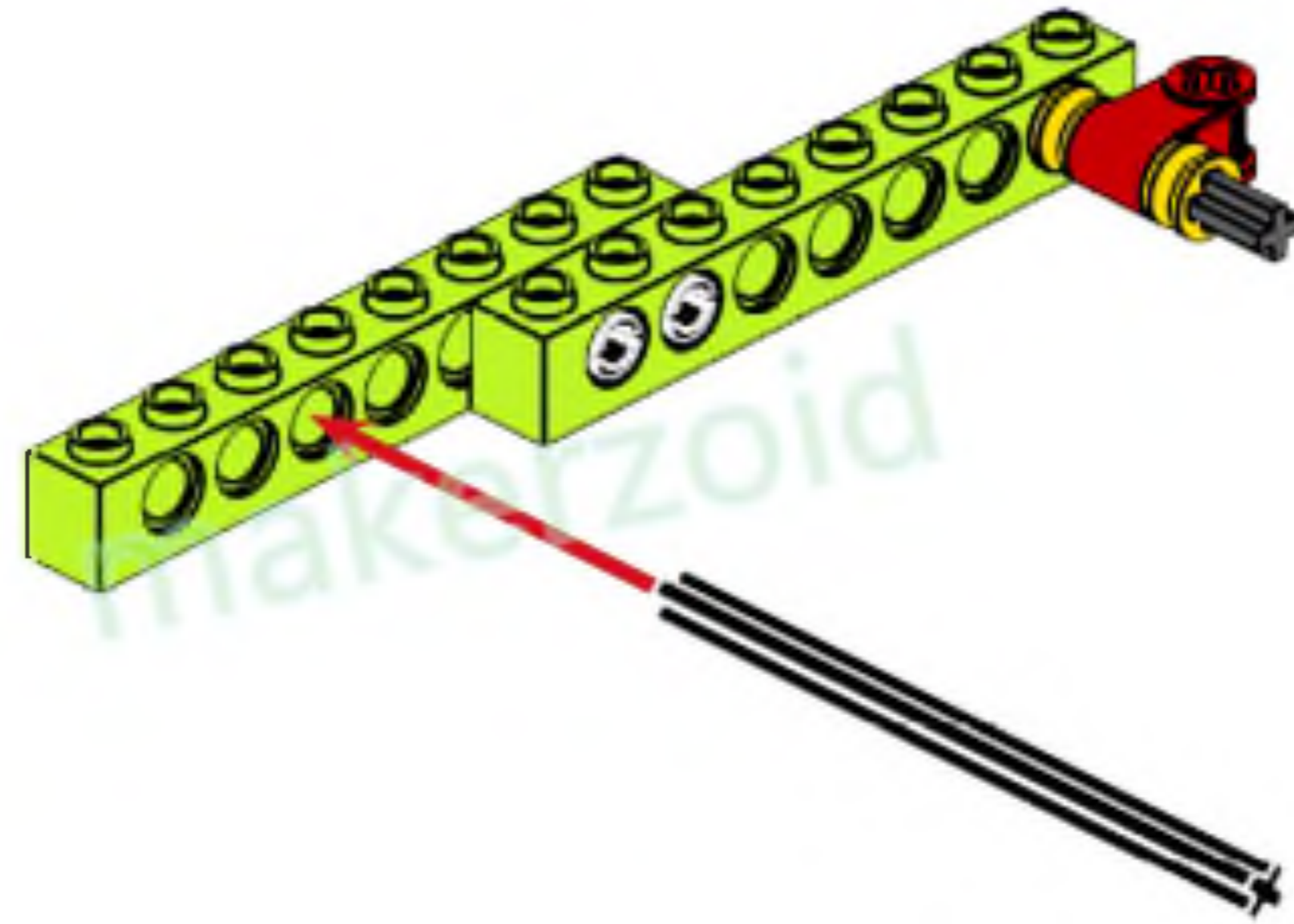


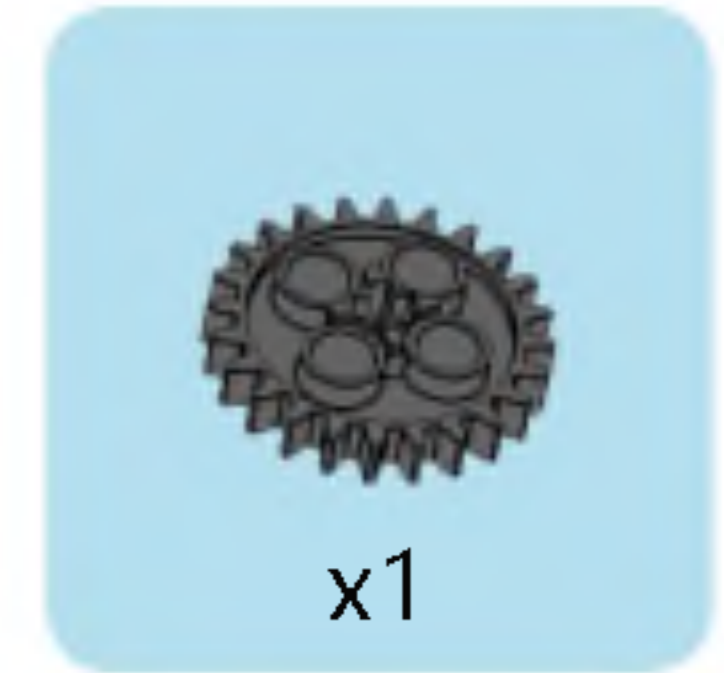
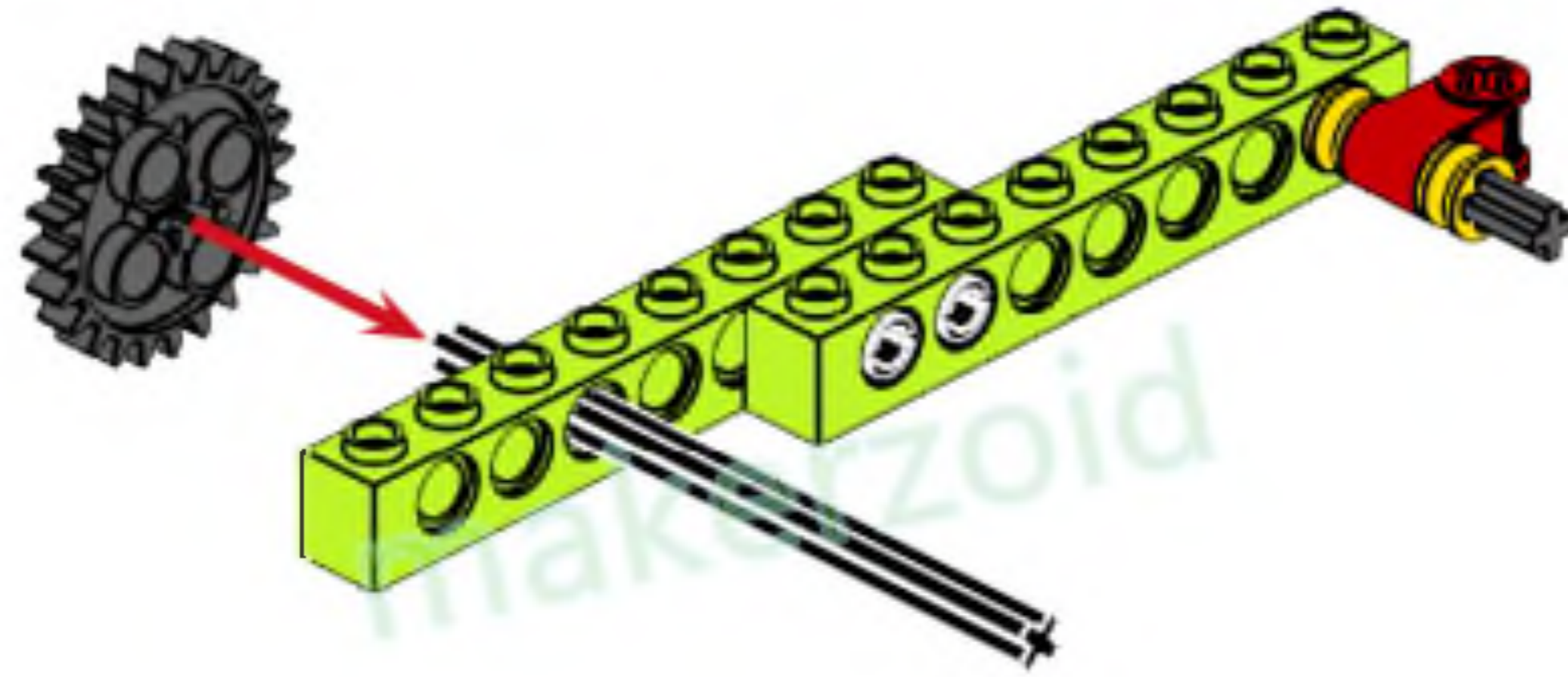


x1

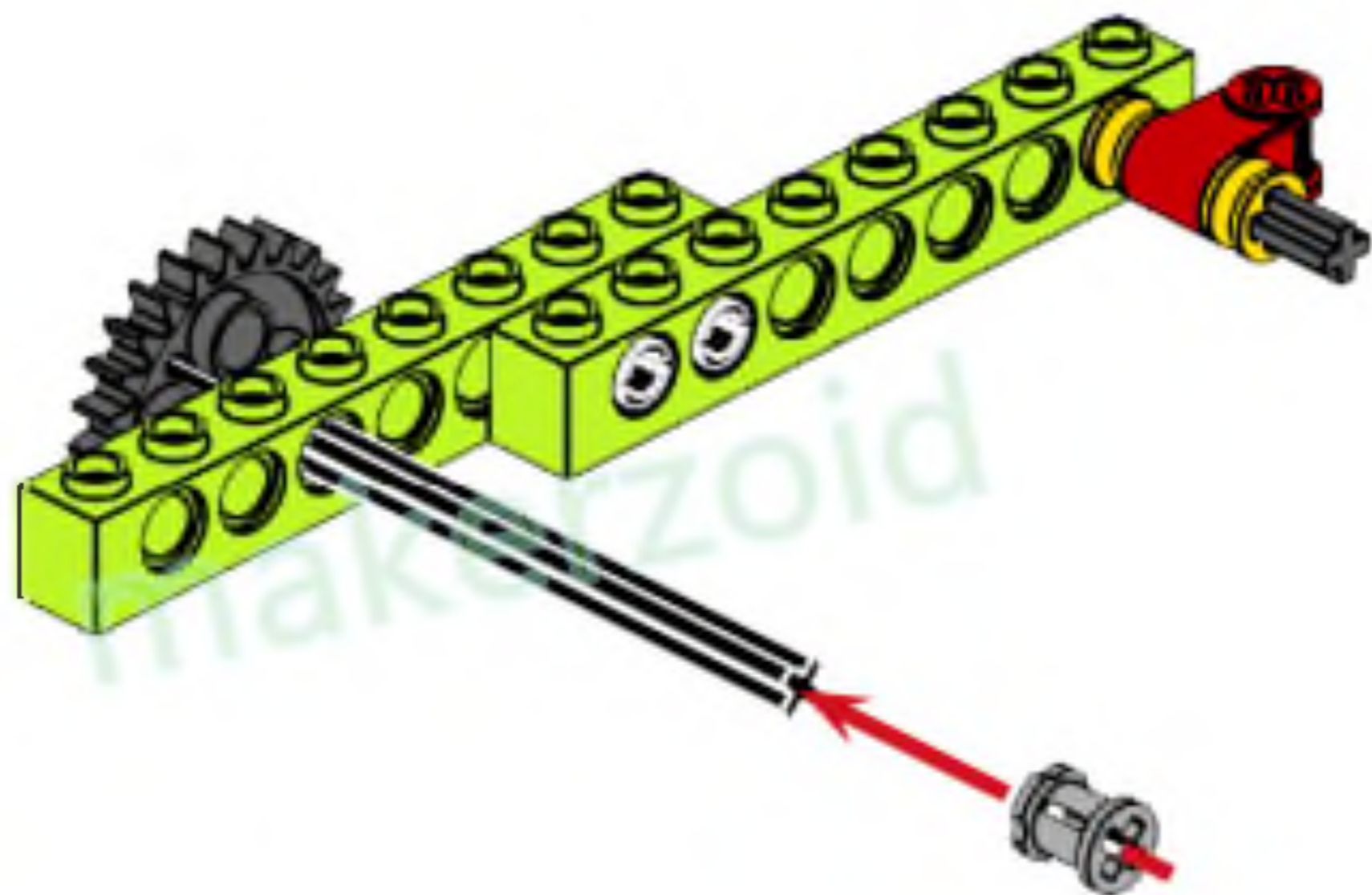




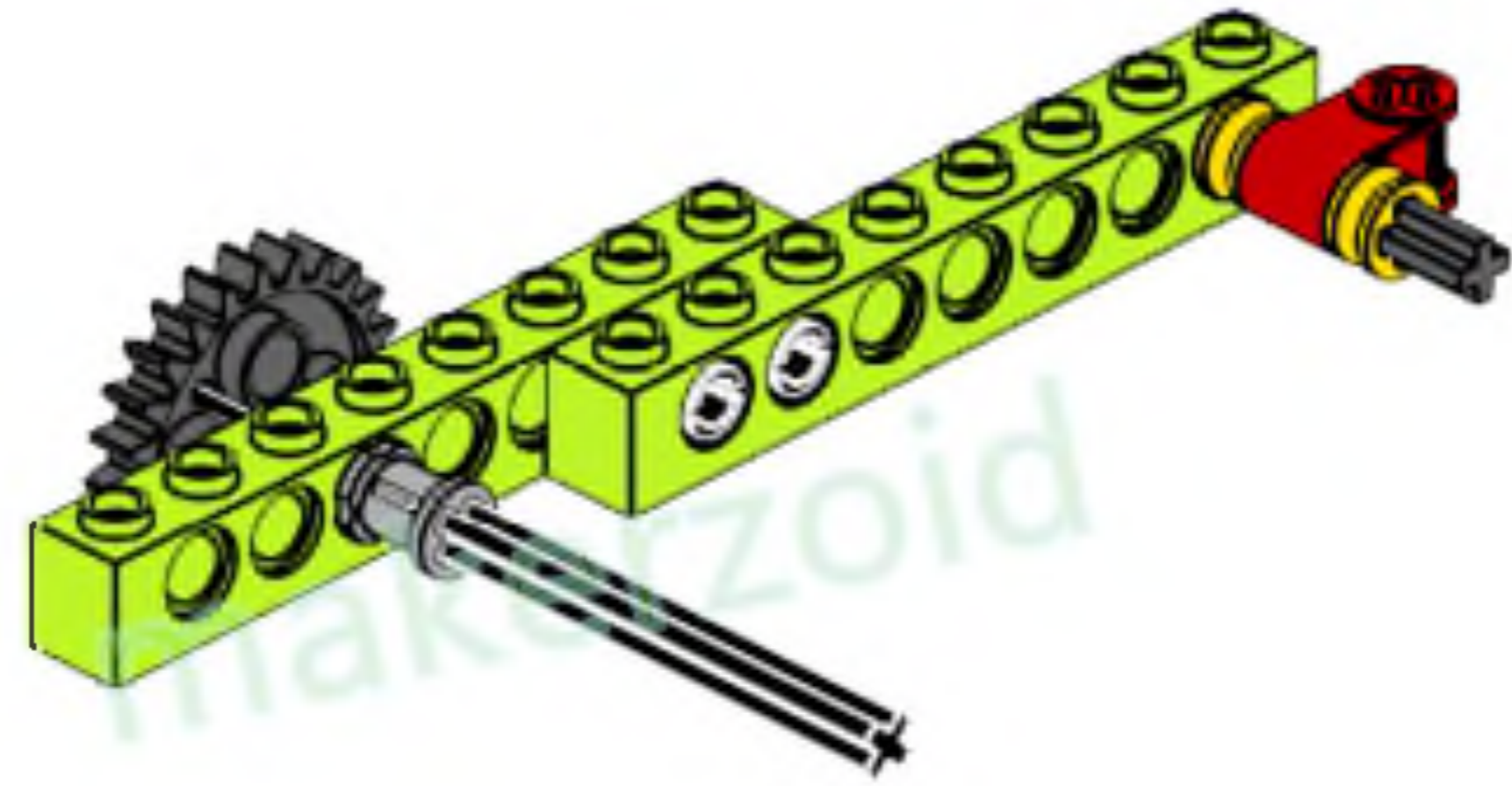




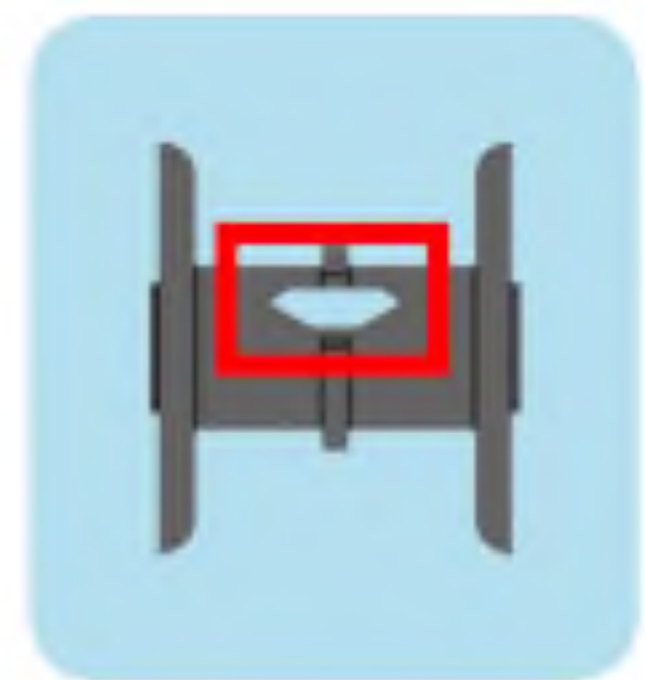
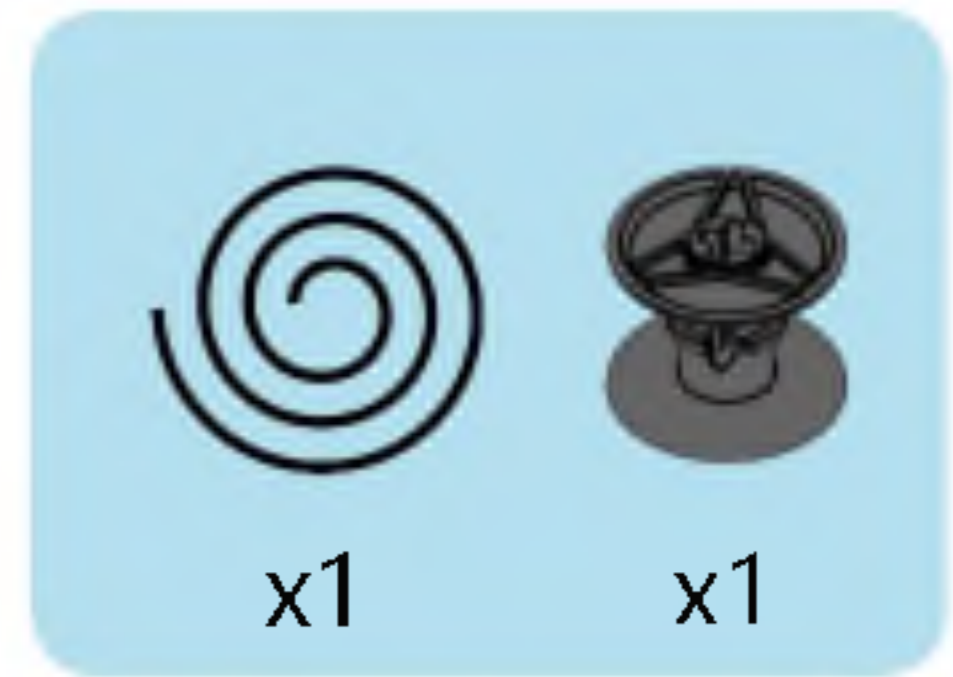
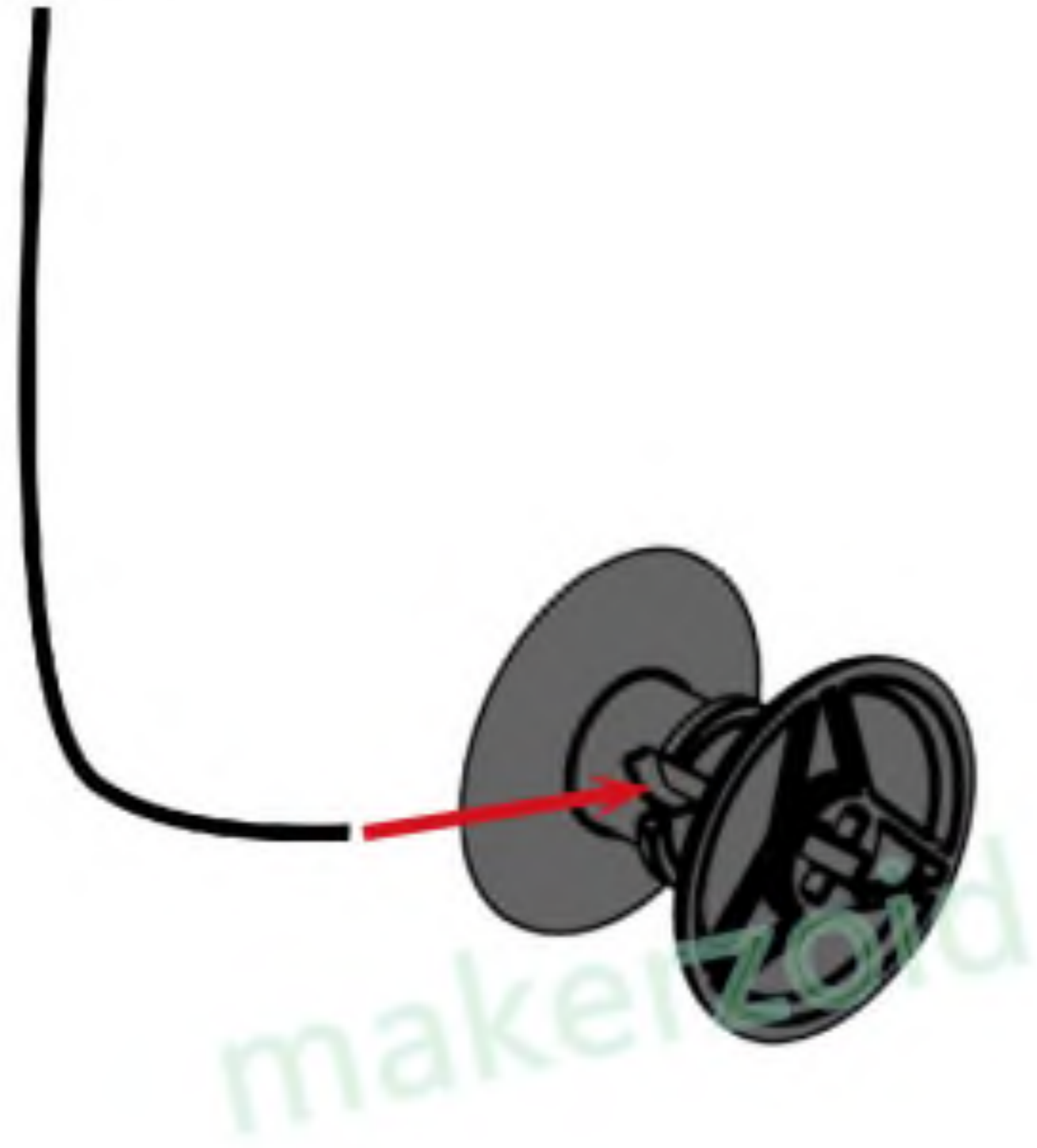


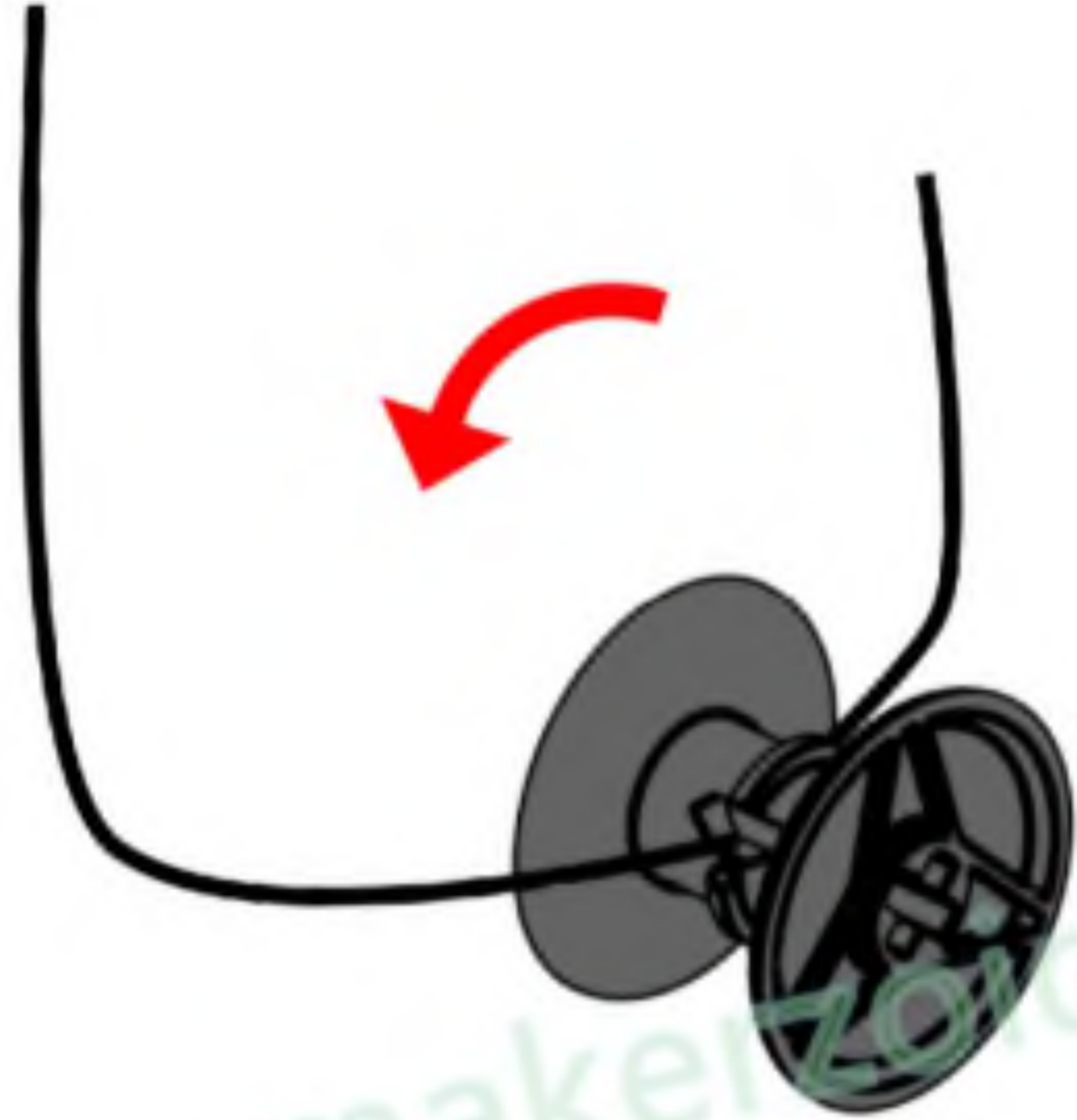


x1



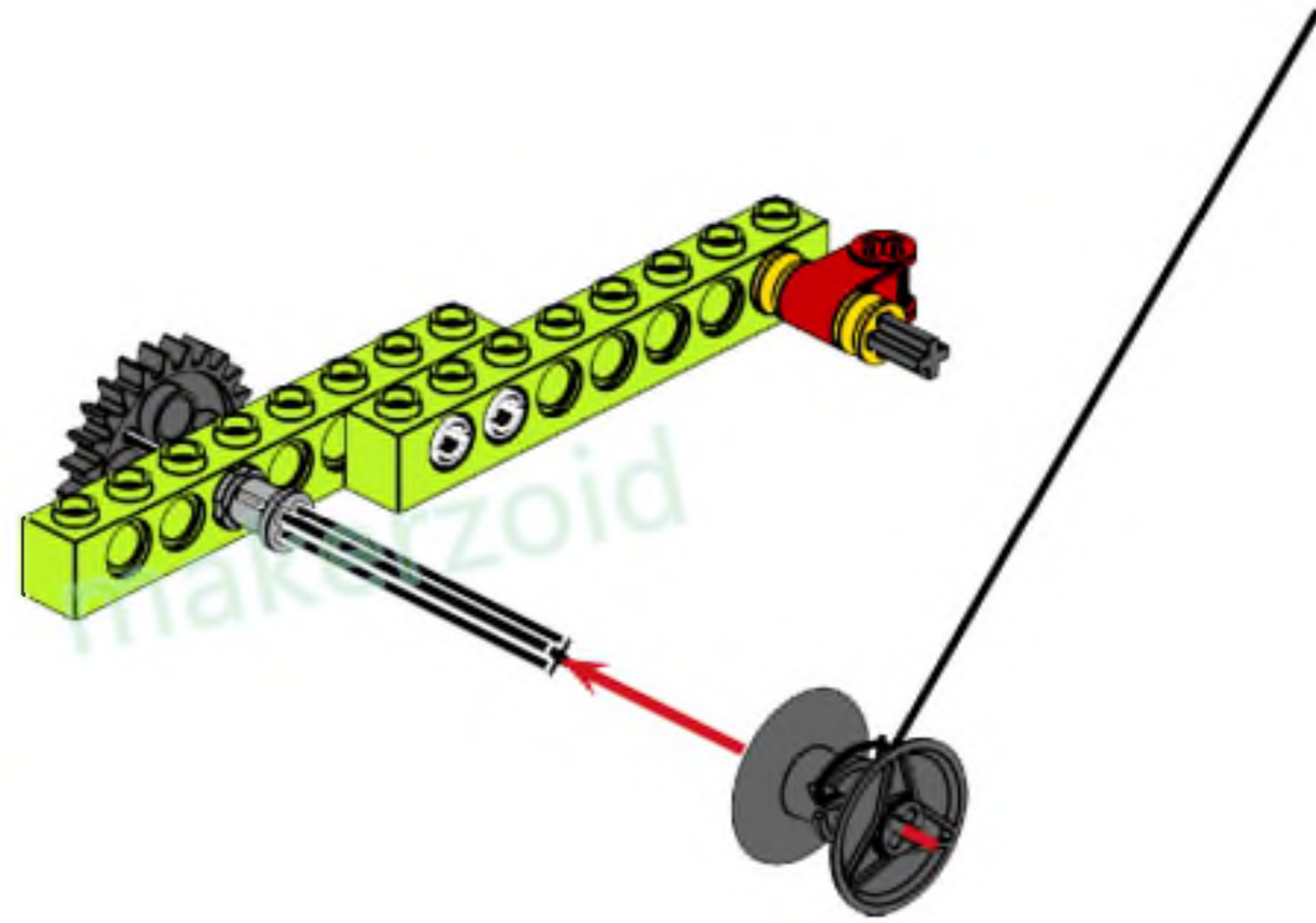
makozoid

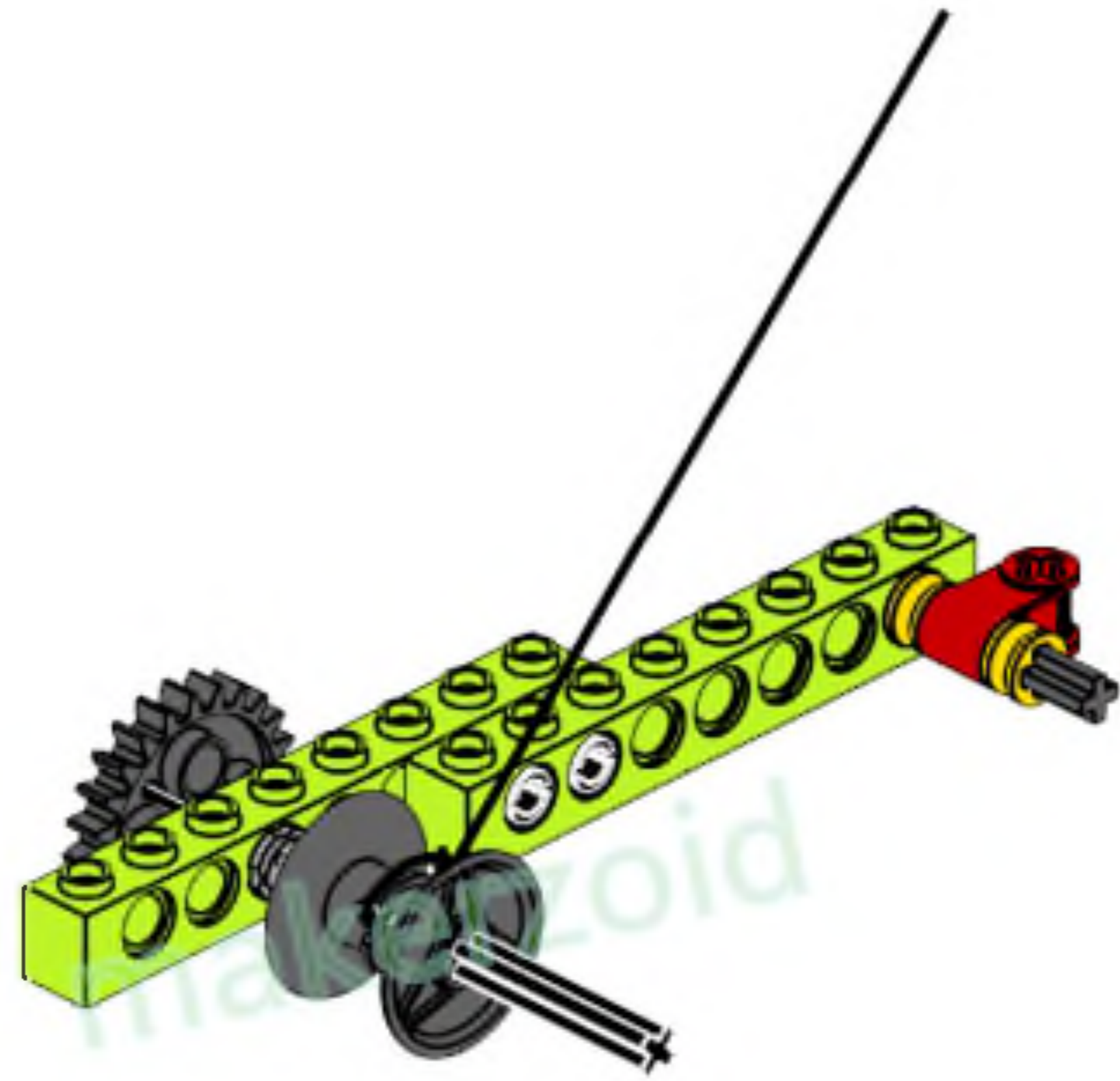




makerzoid

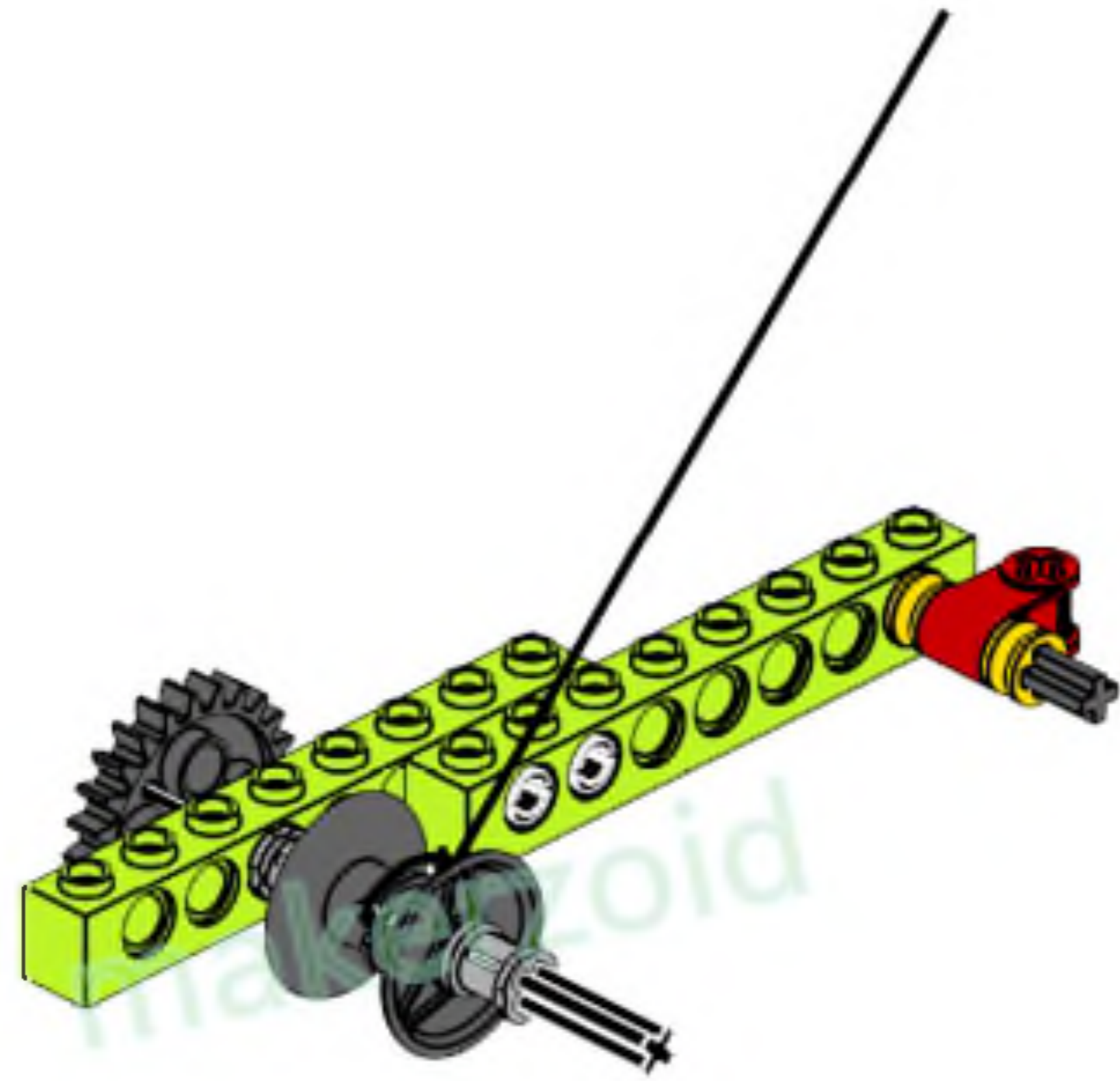


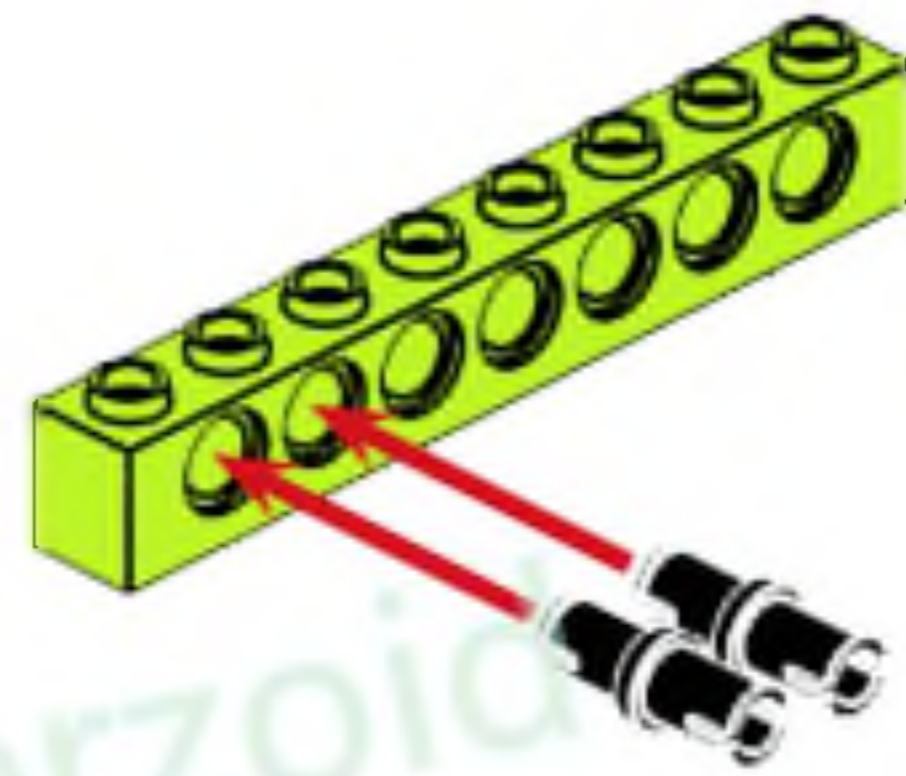












makerzoid

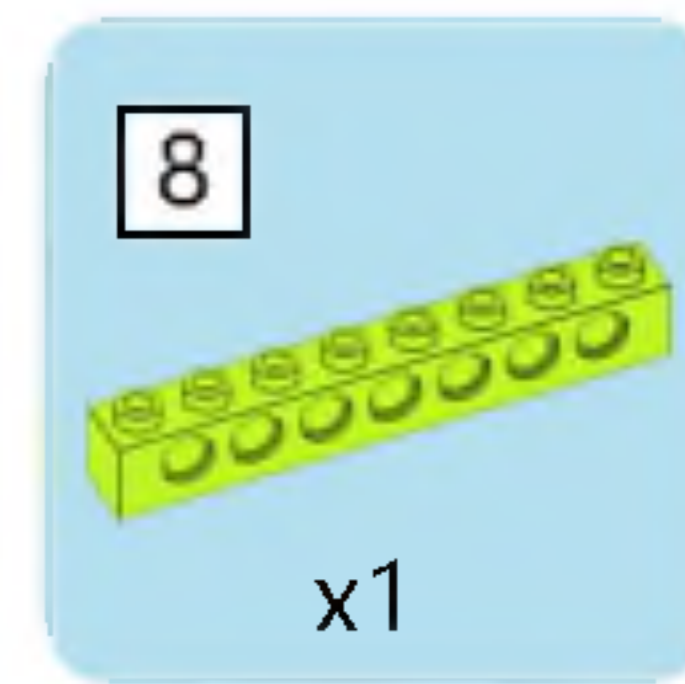
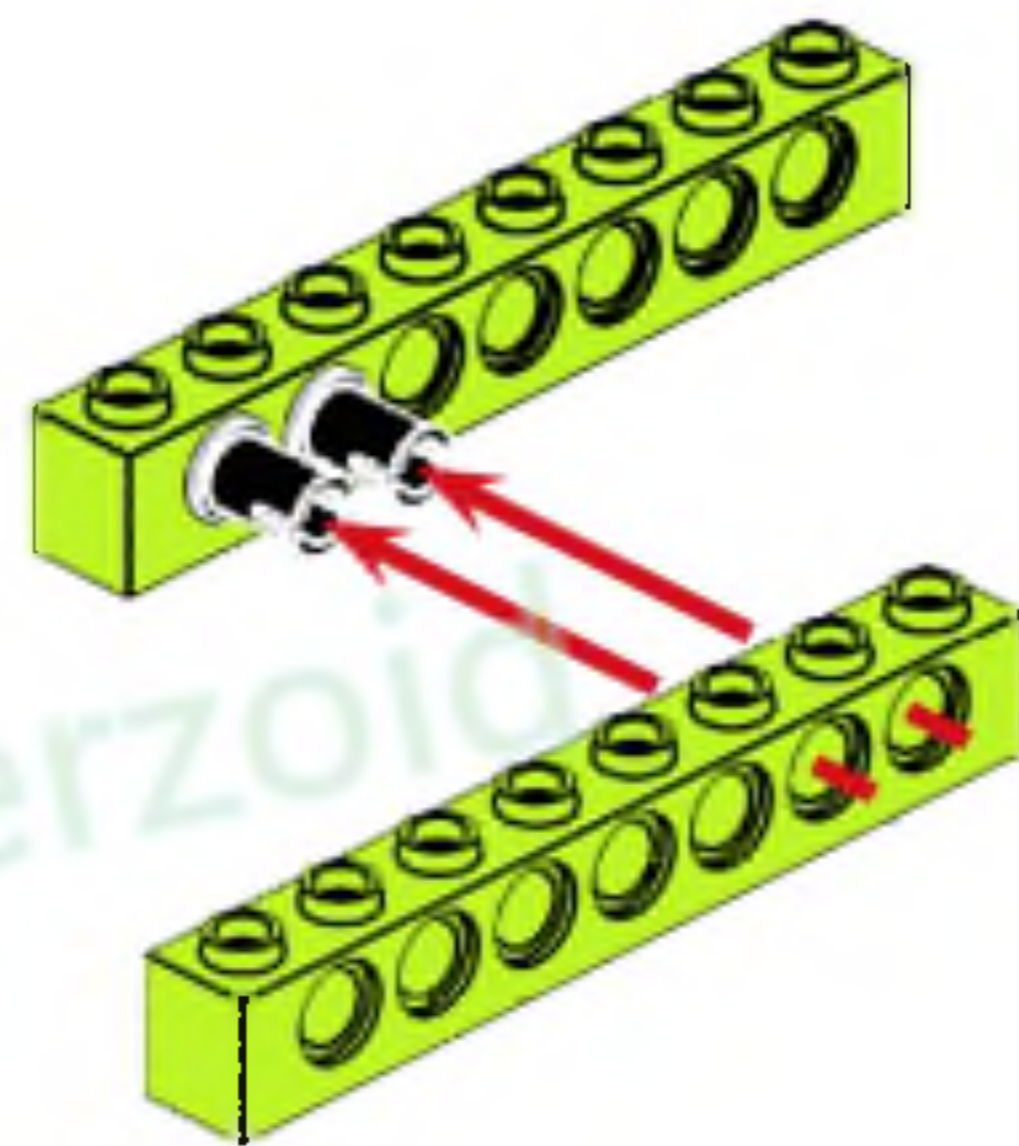
8



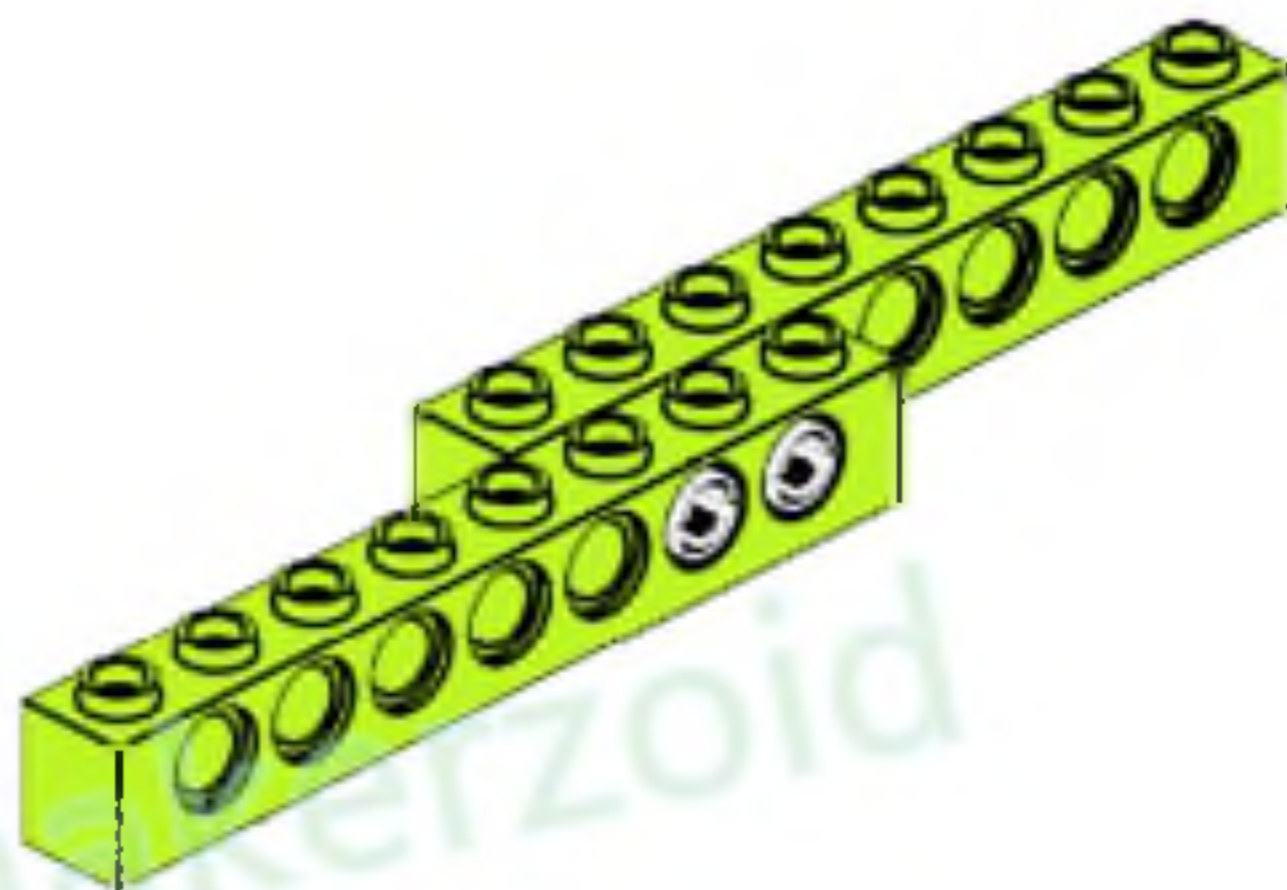
x1



x2



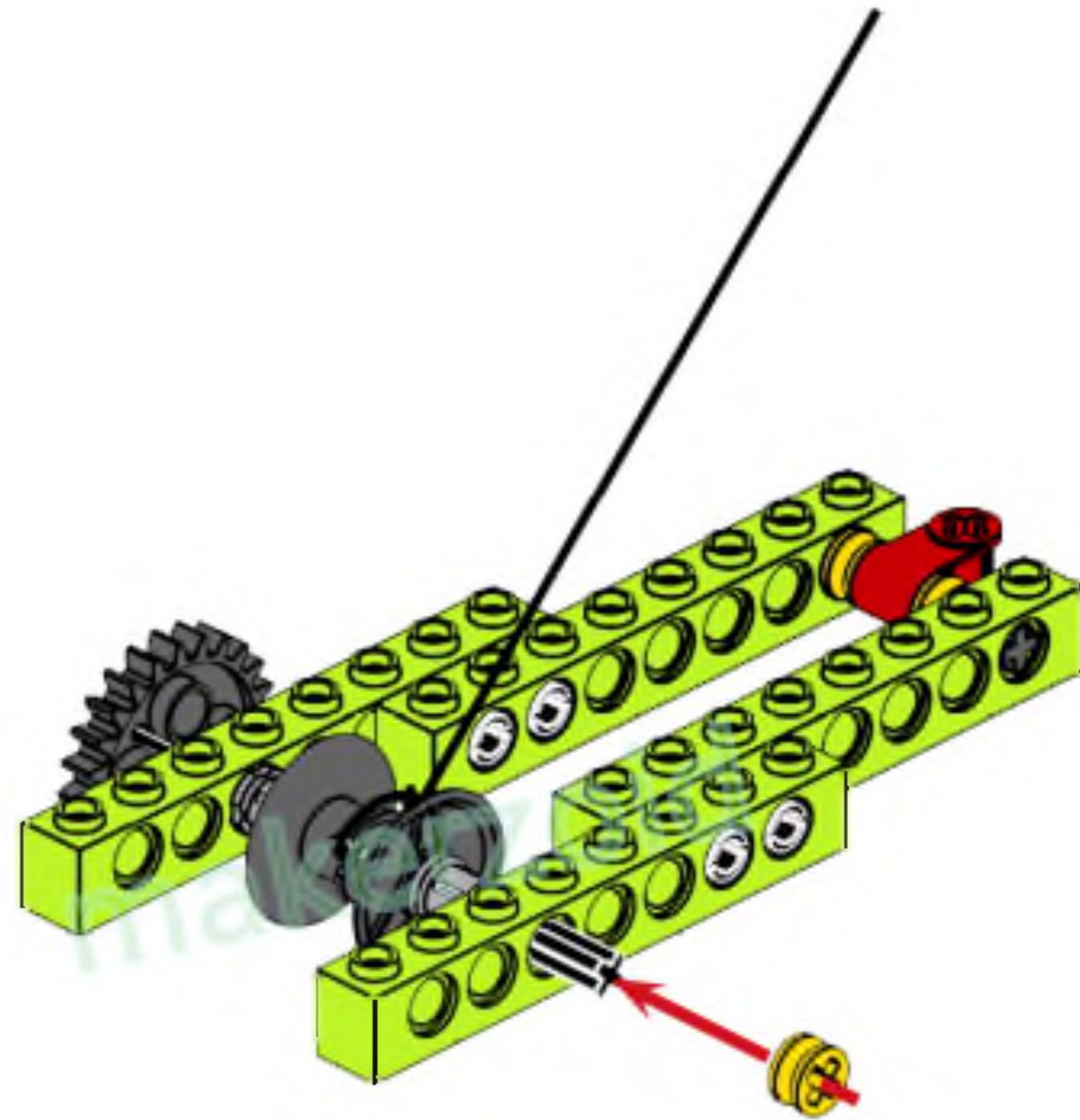
makerzoid

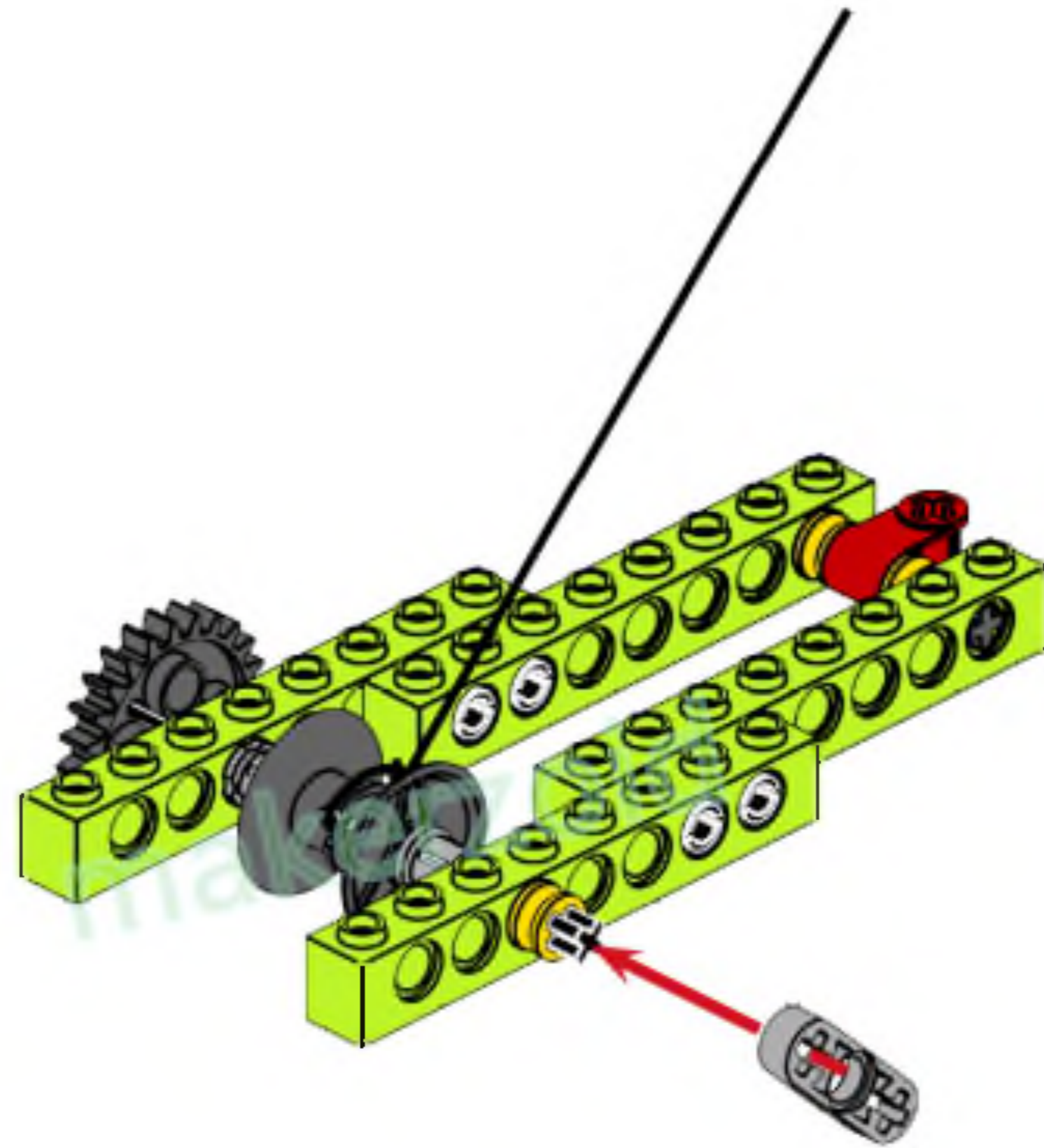


makerzoid

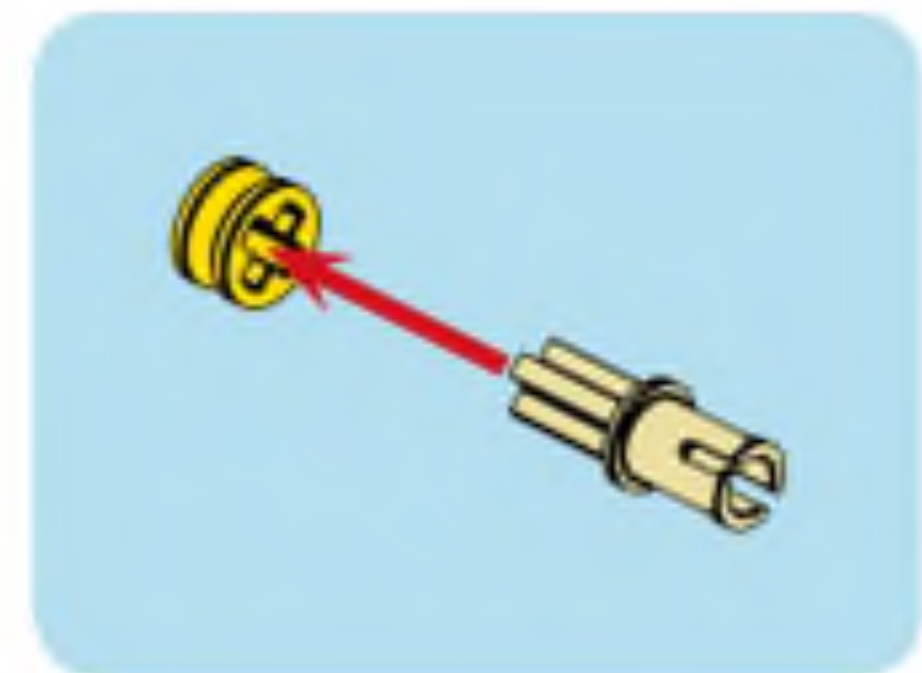
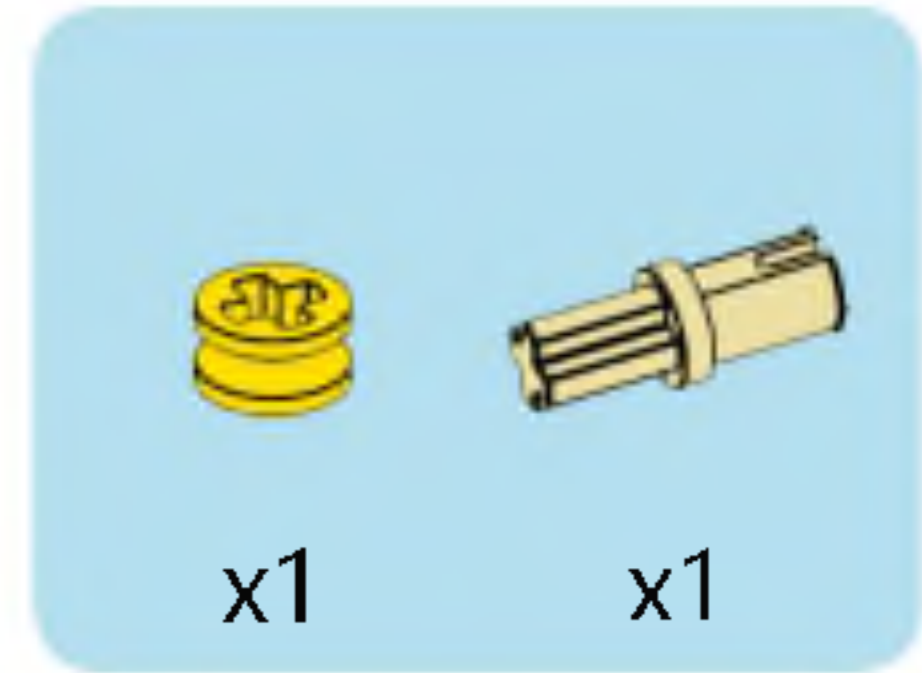
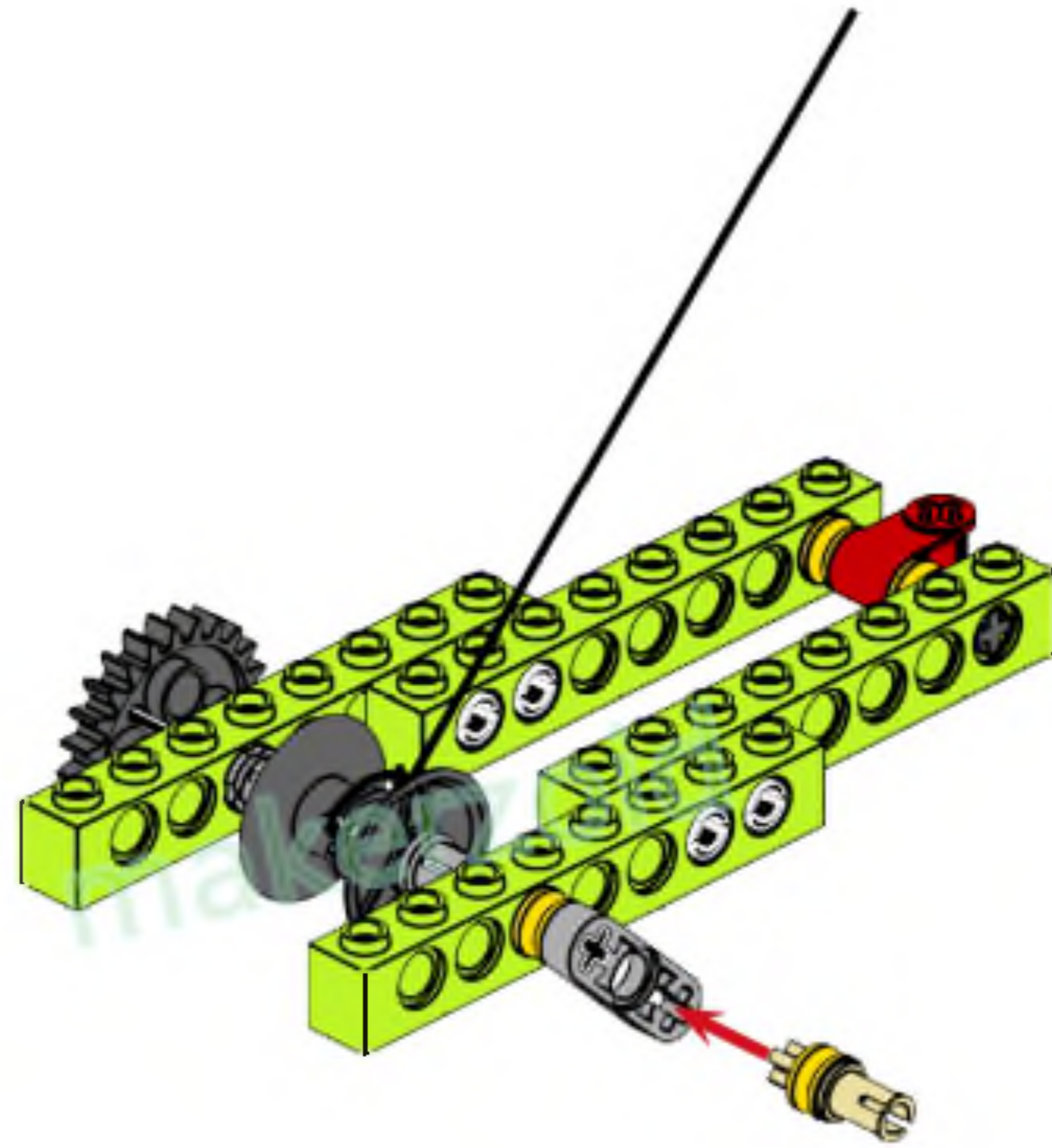


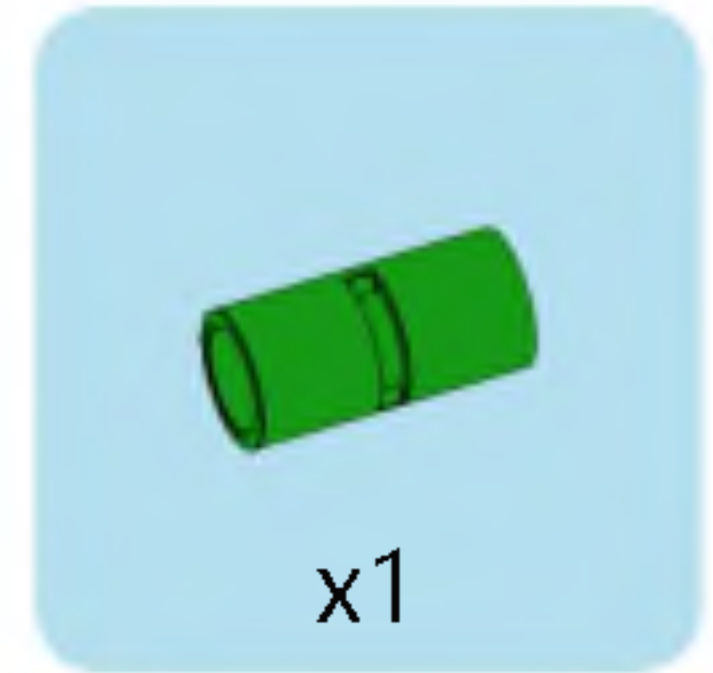
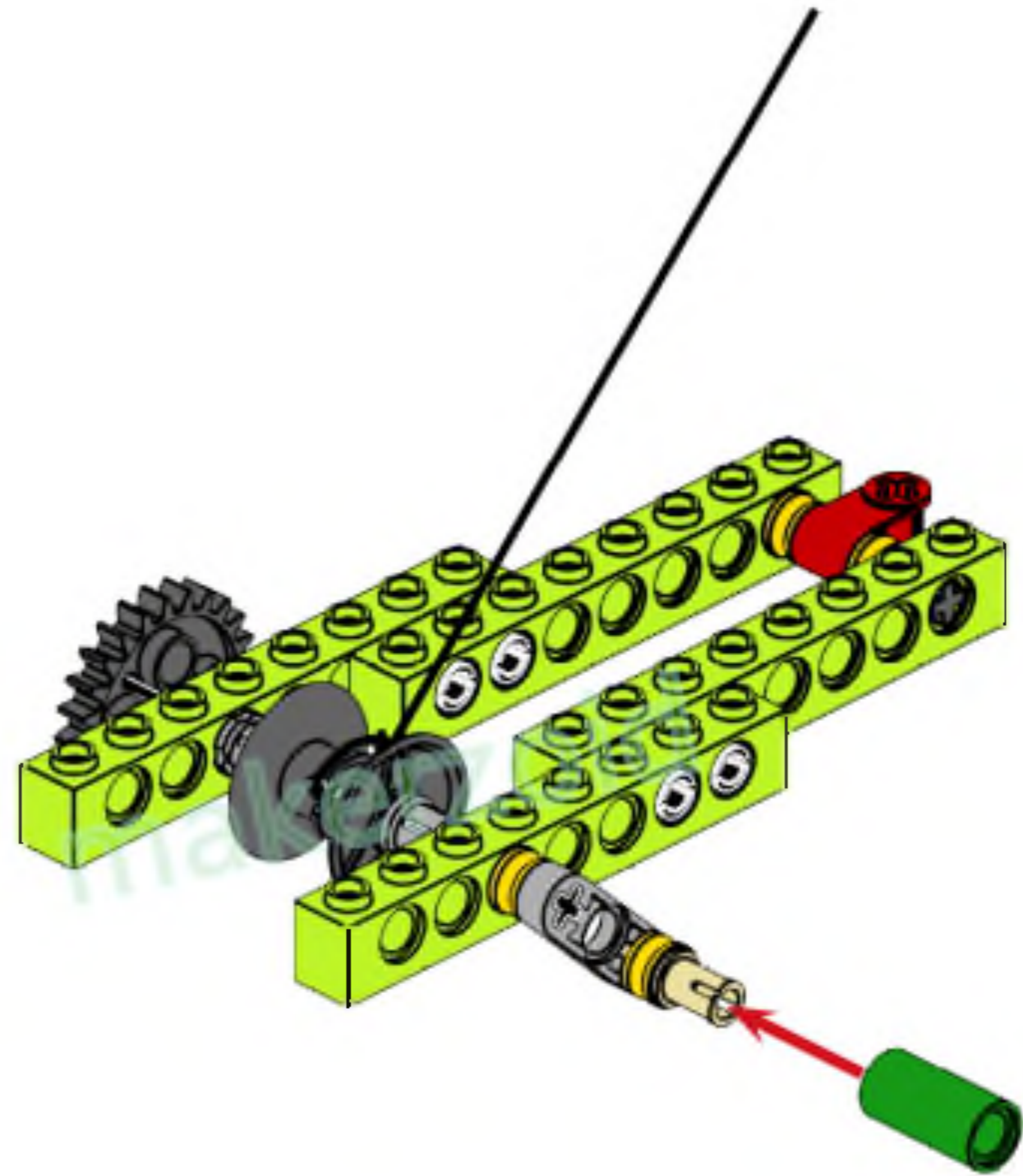


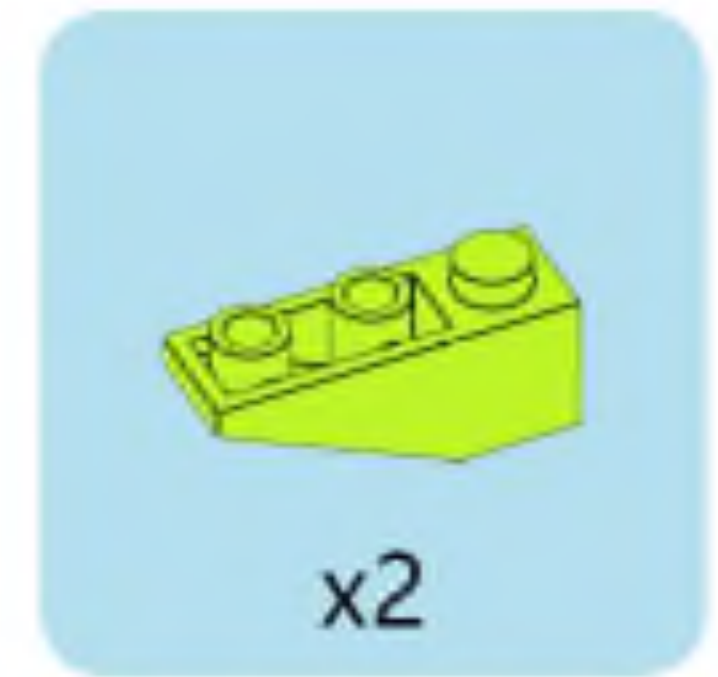
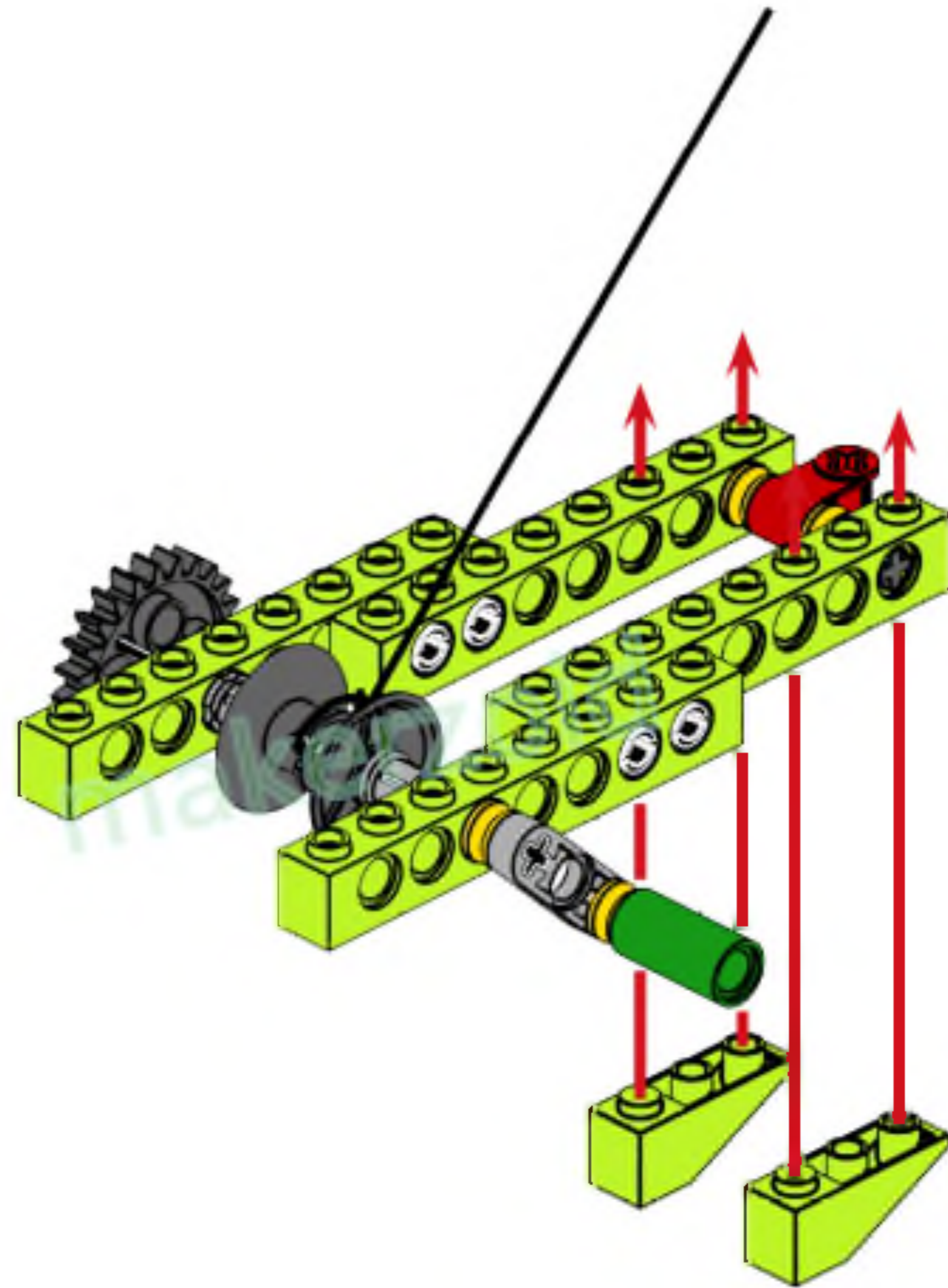


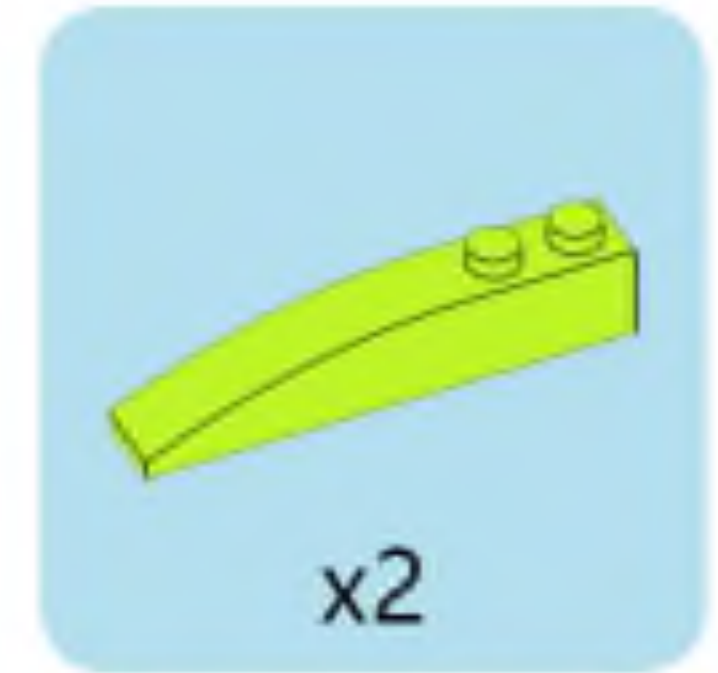
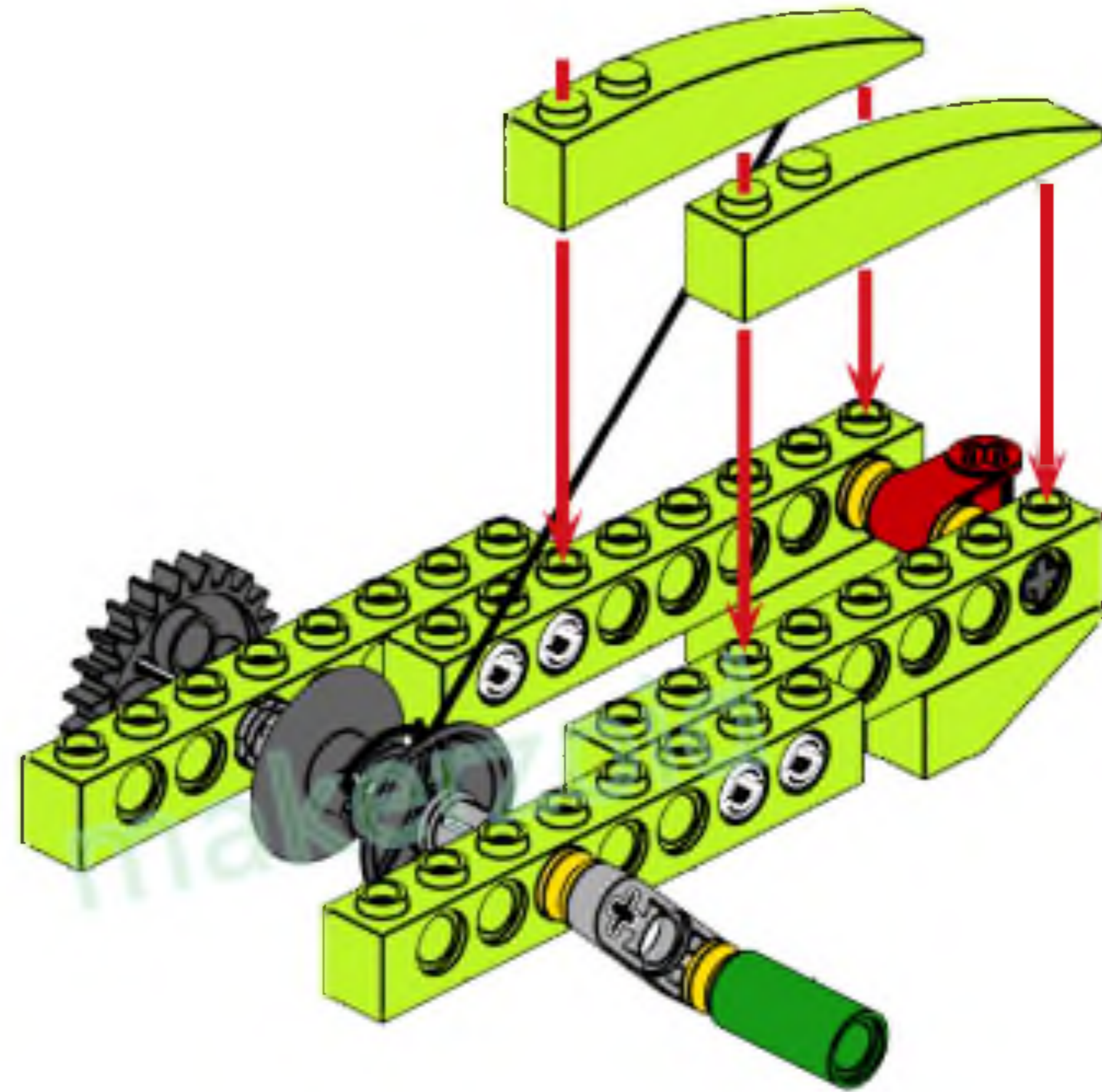


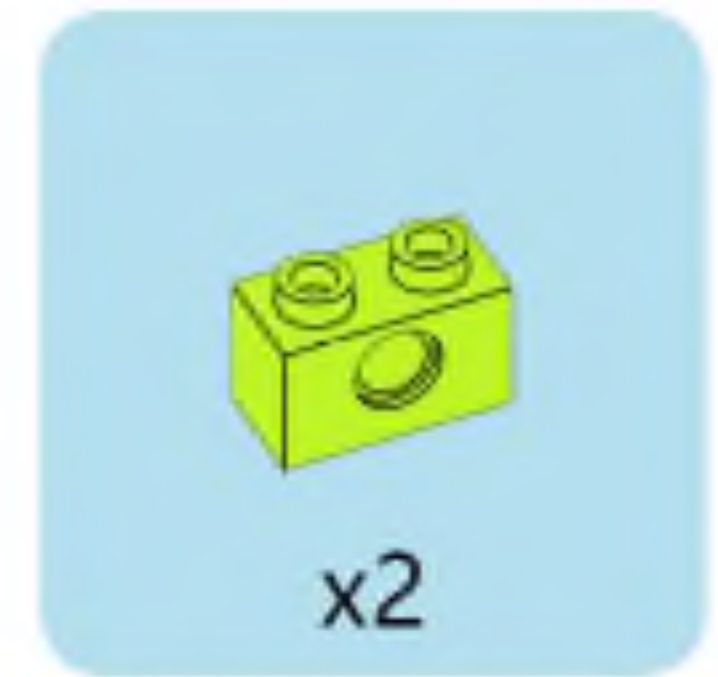
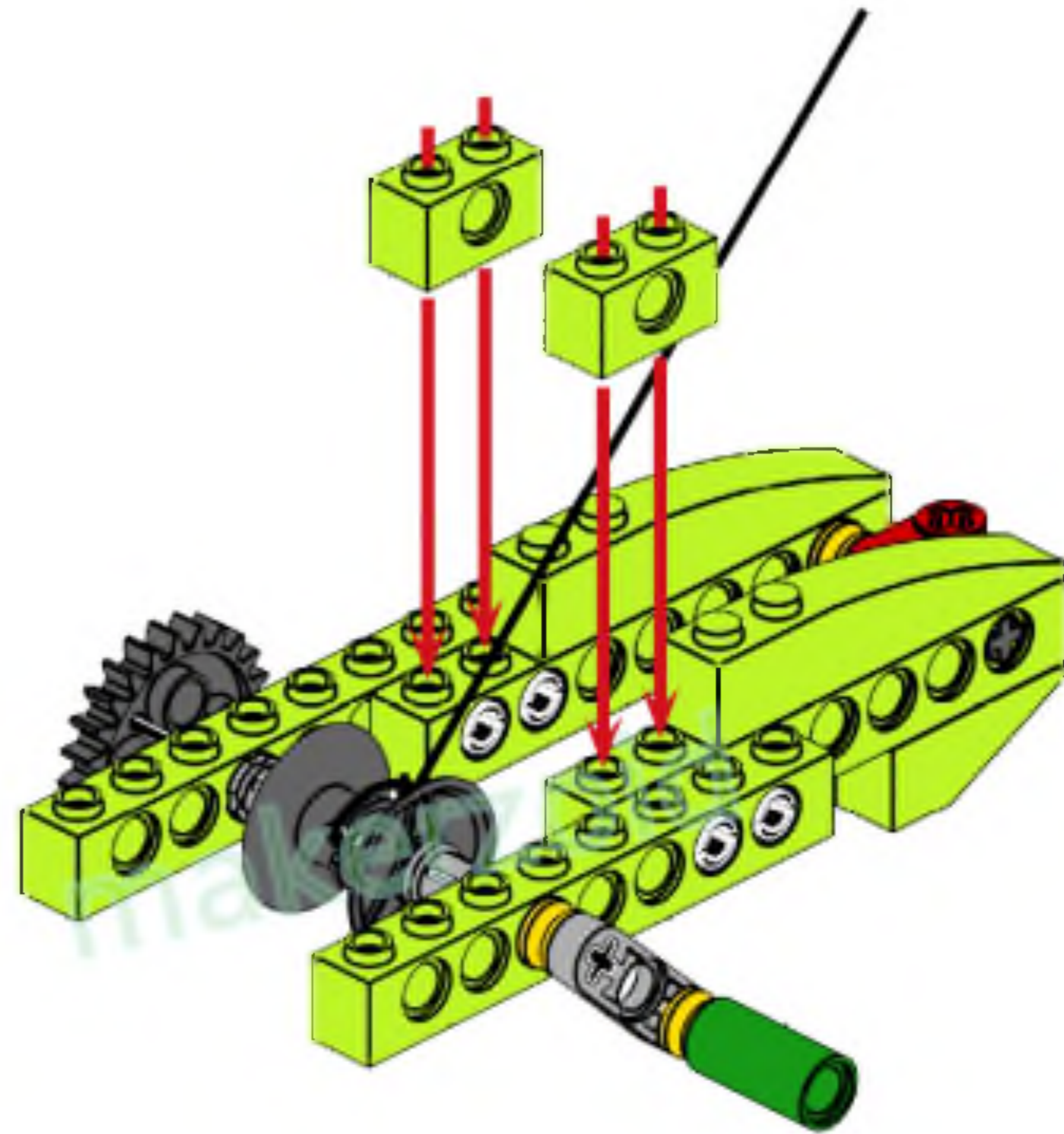


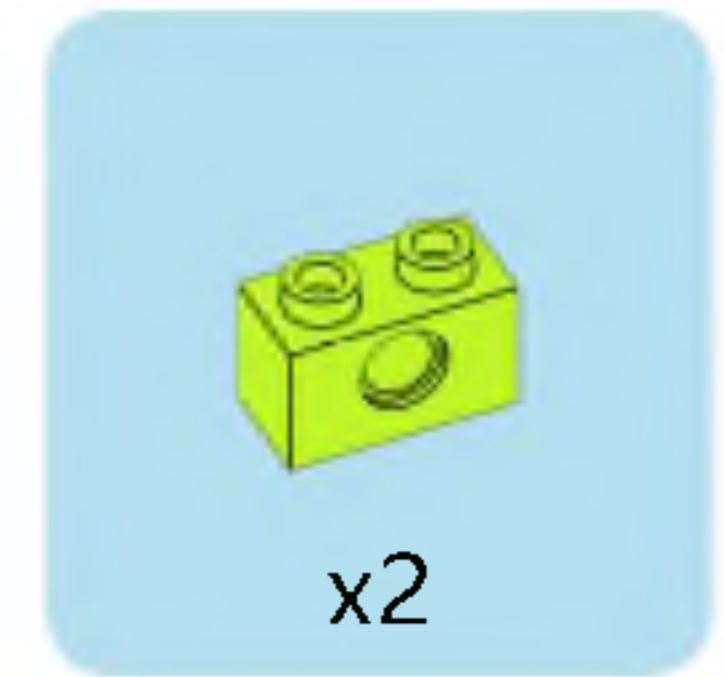
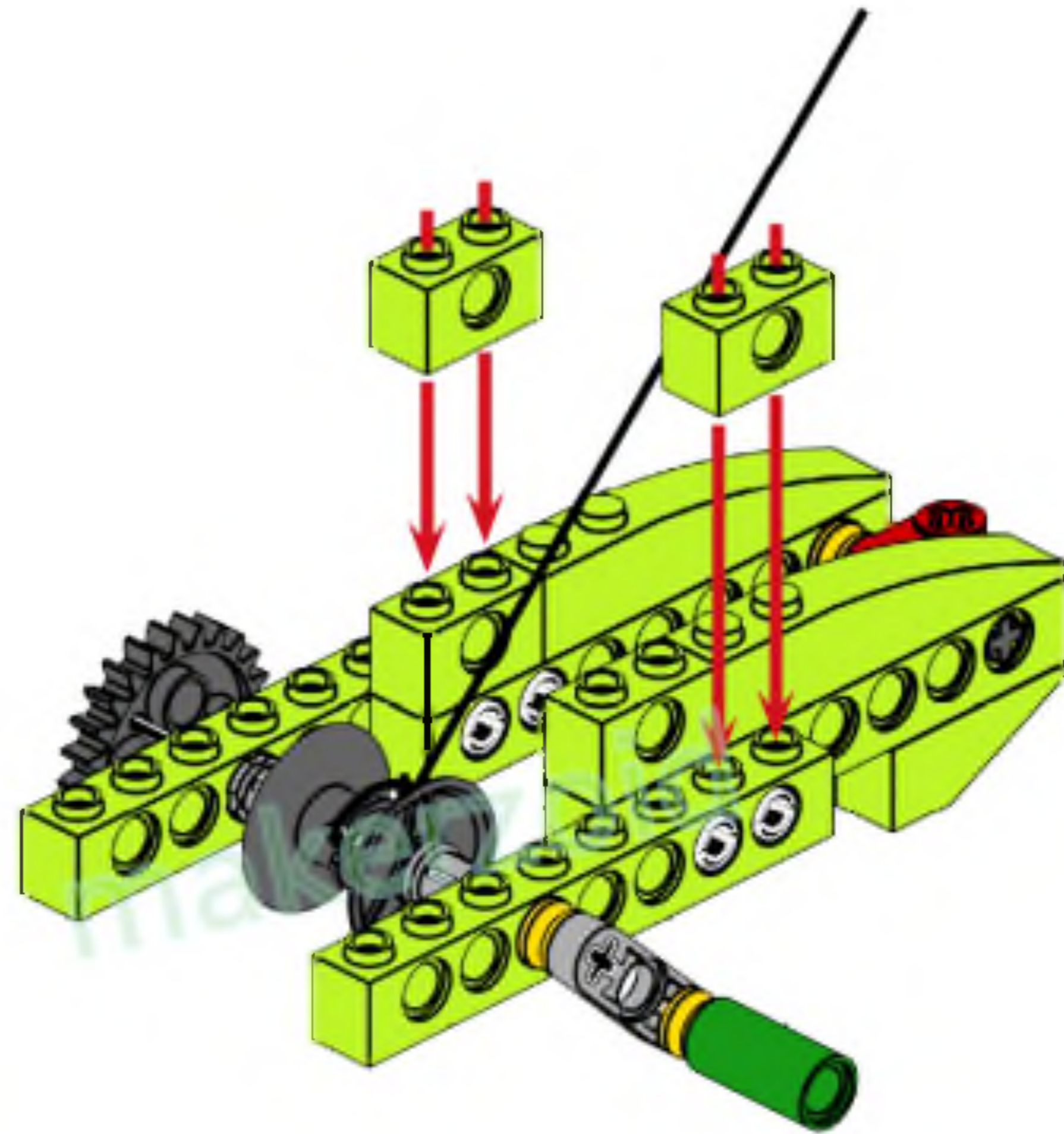




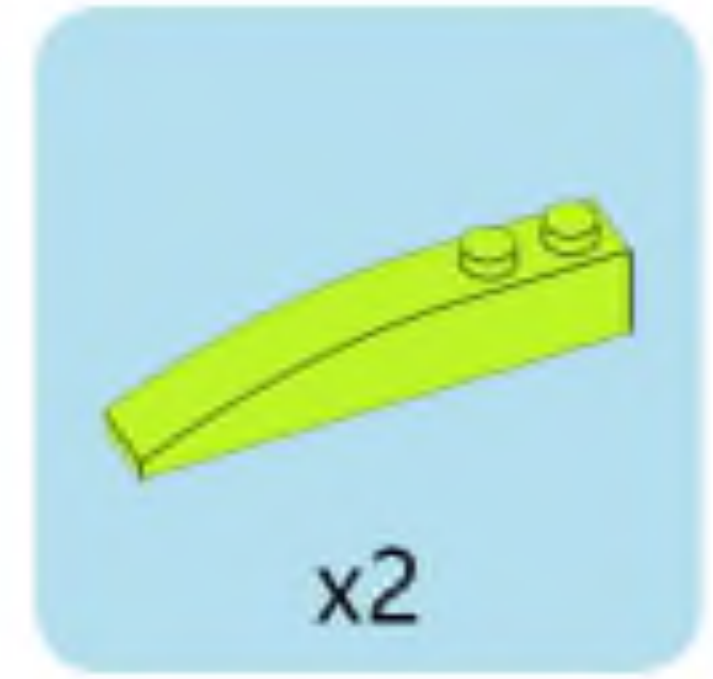
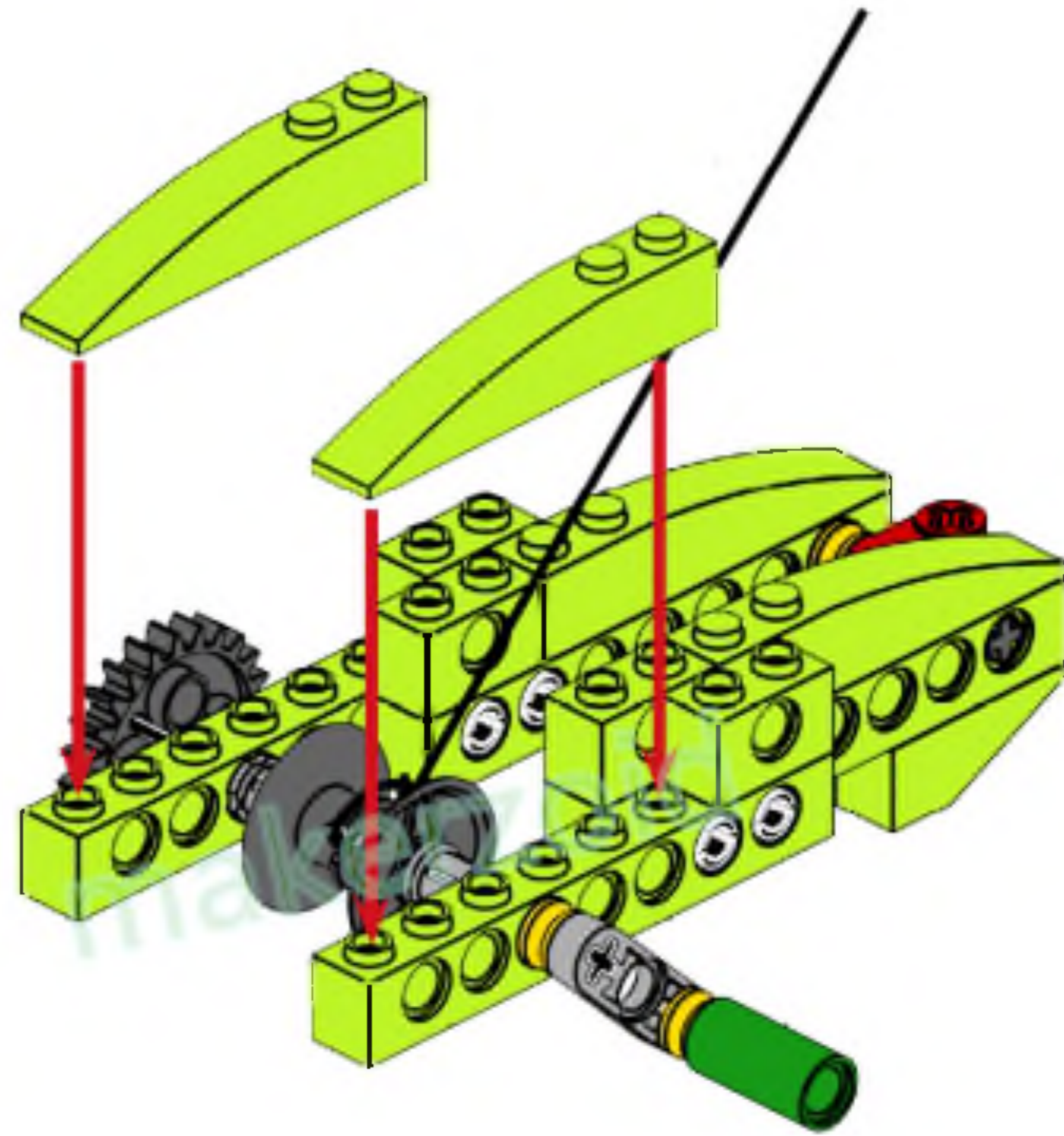


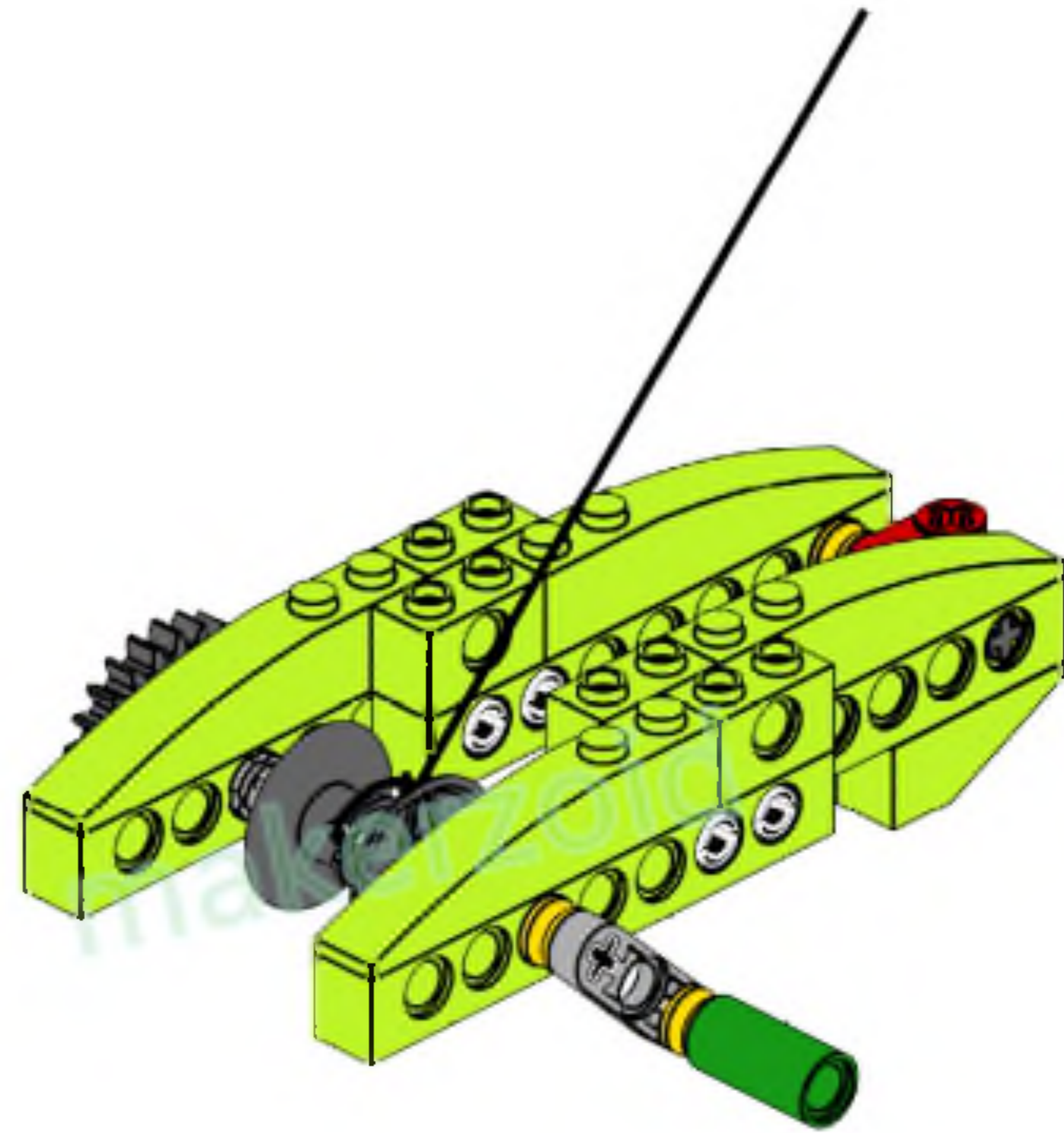




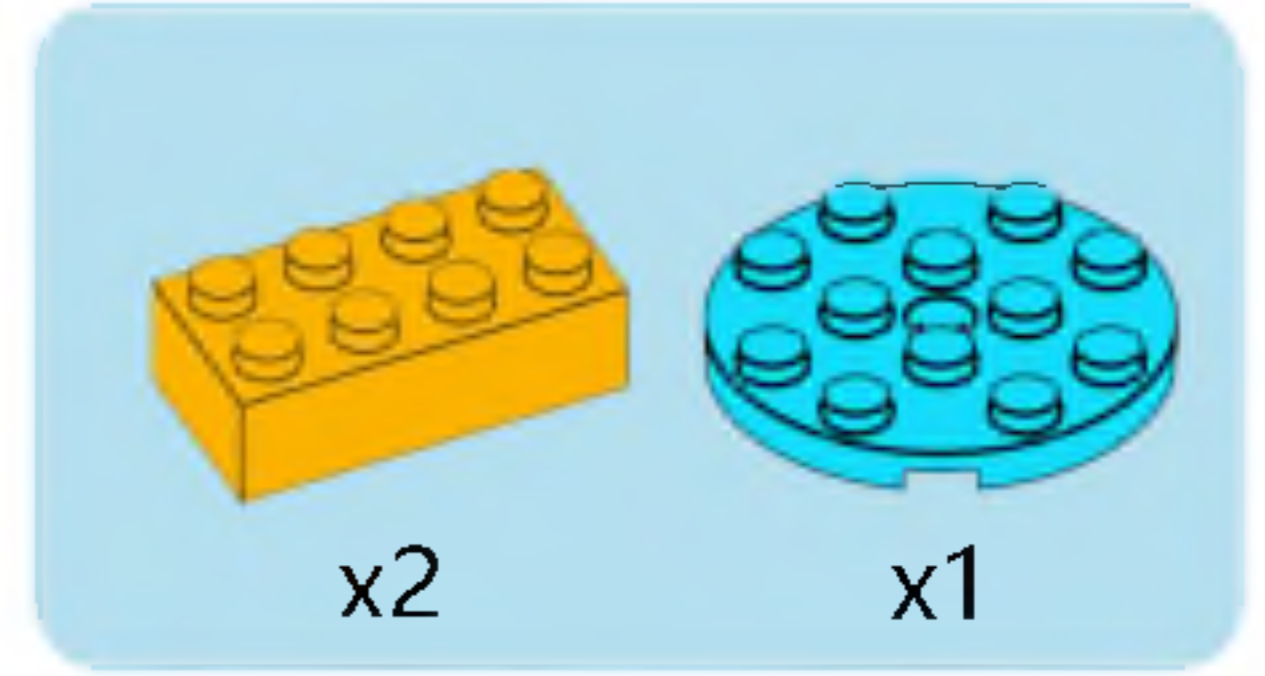
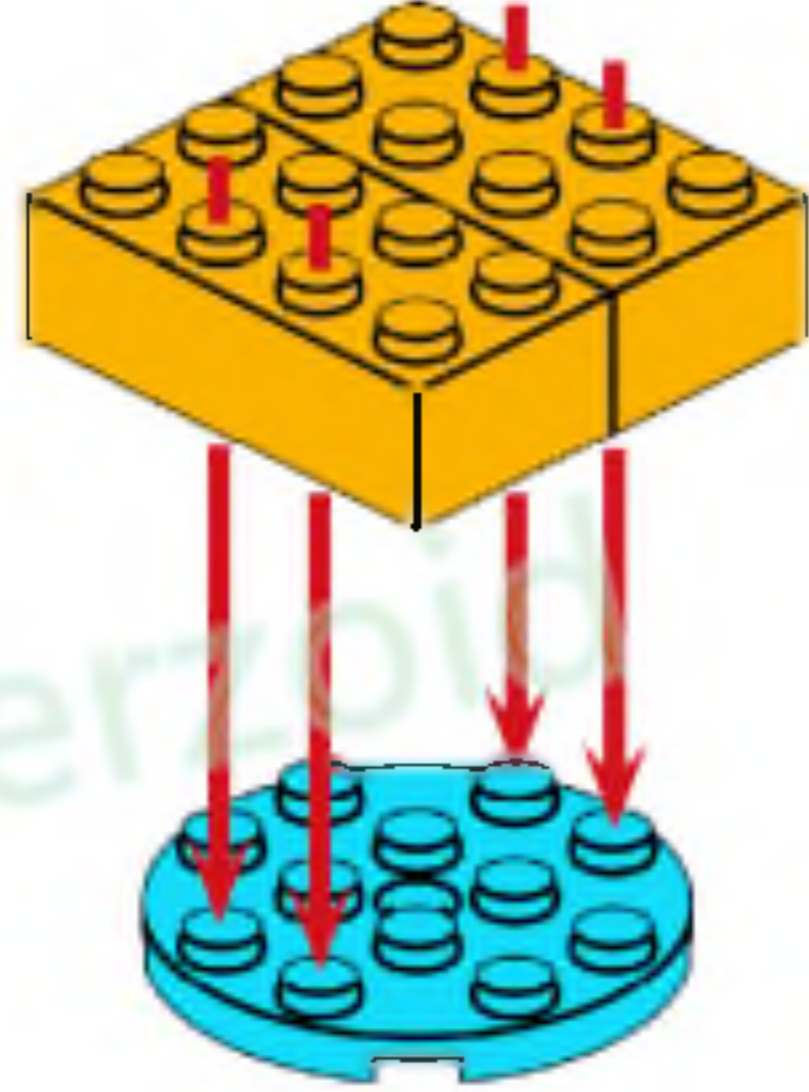


x2

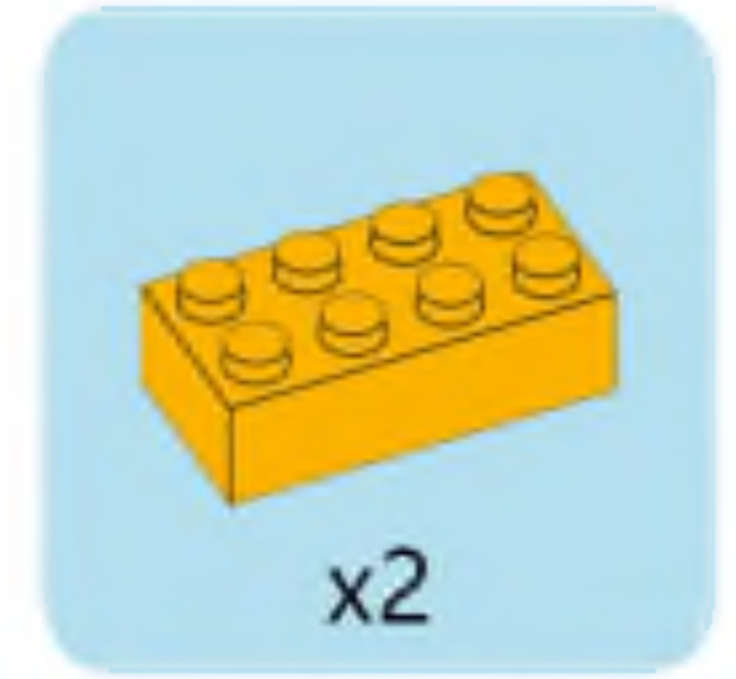
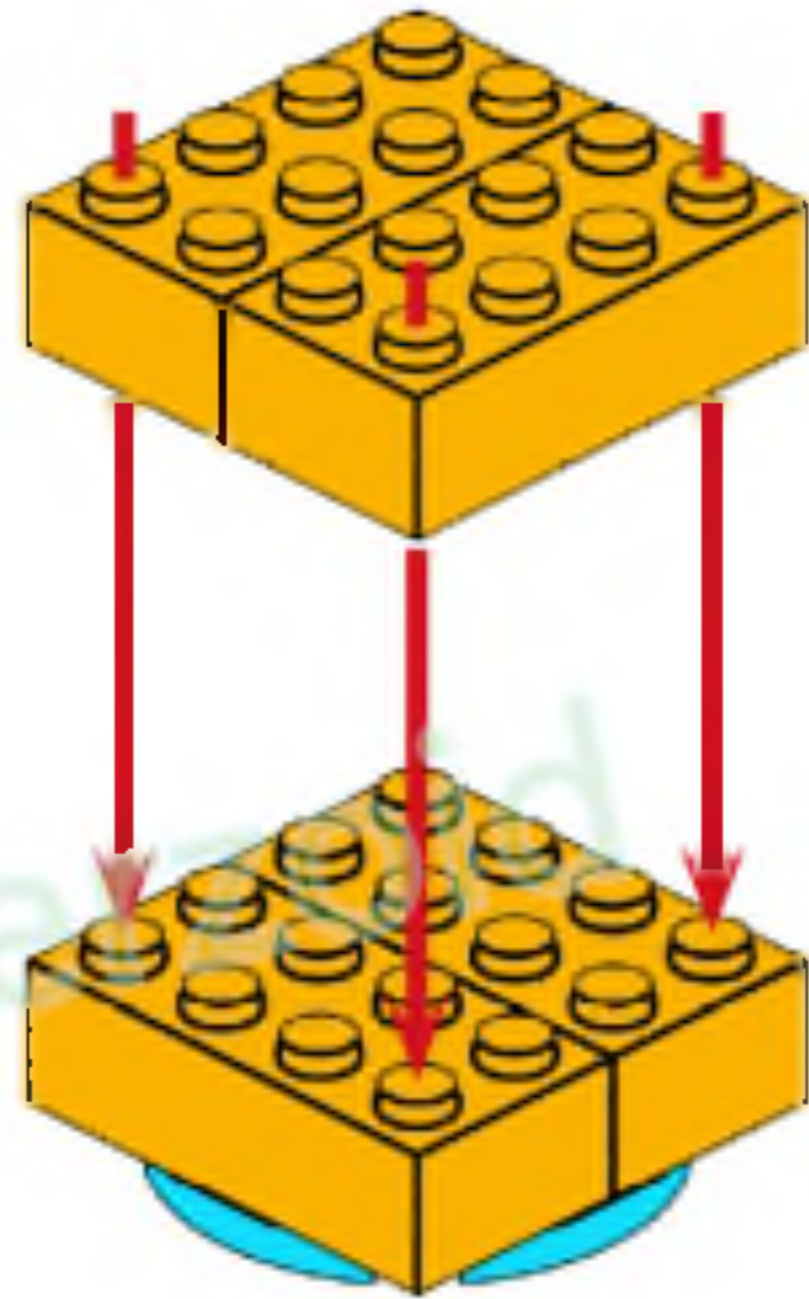


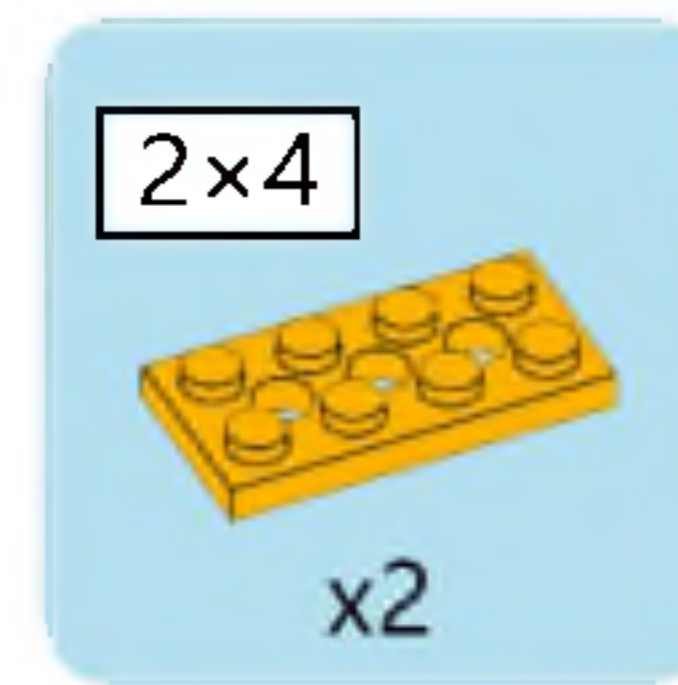
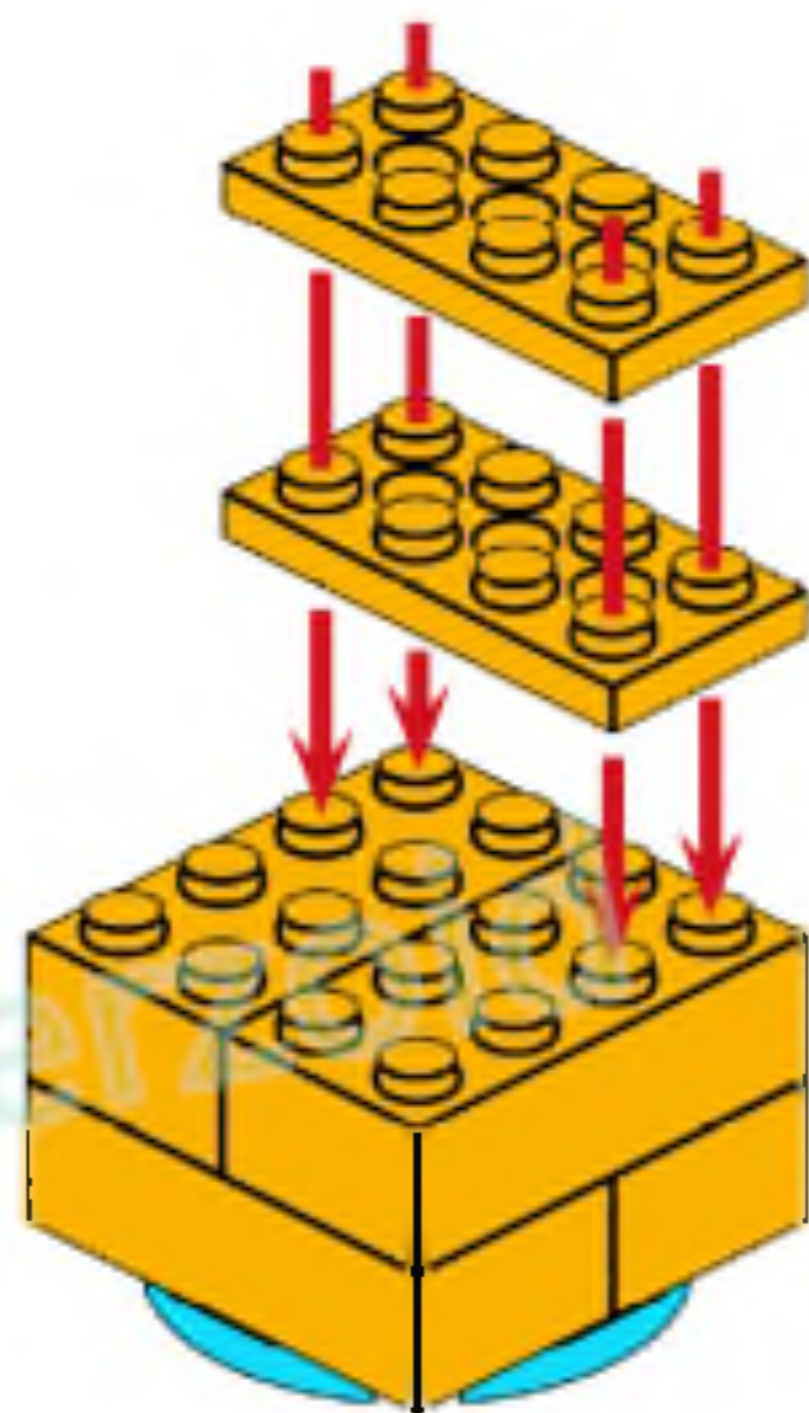


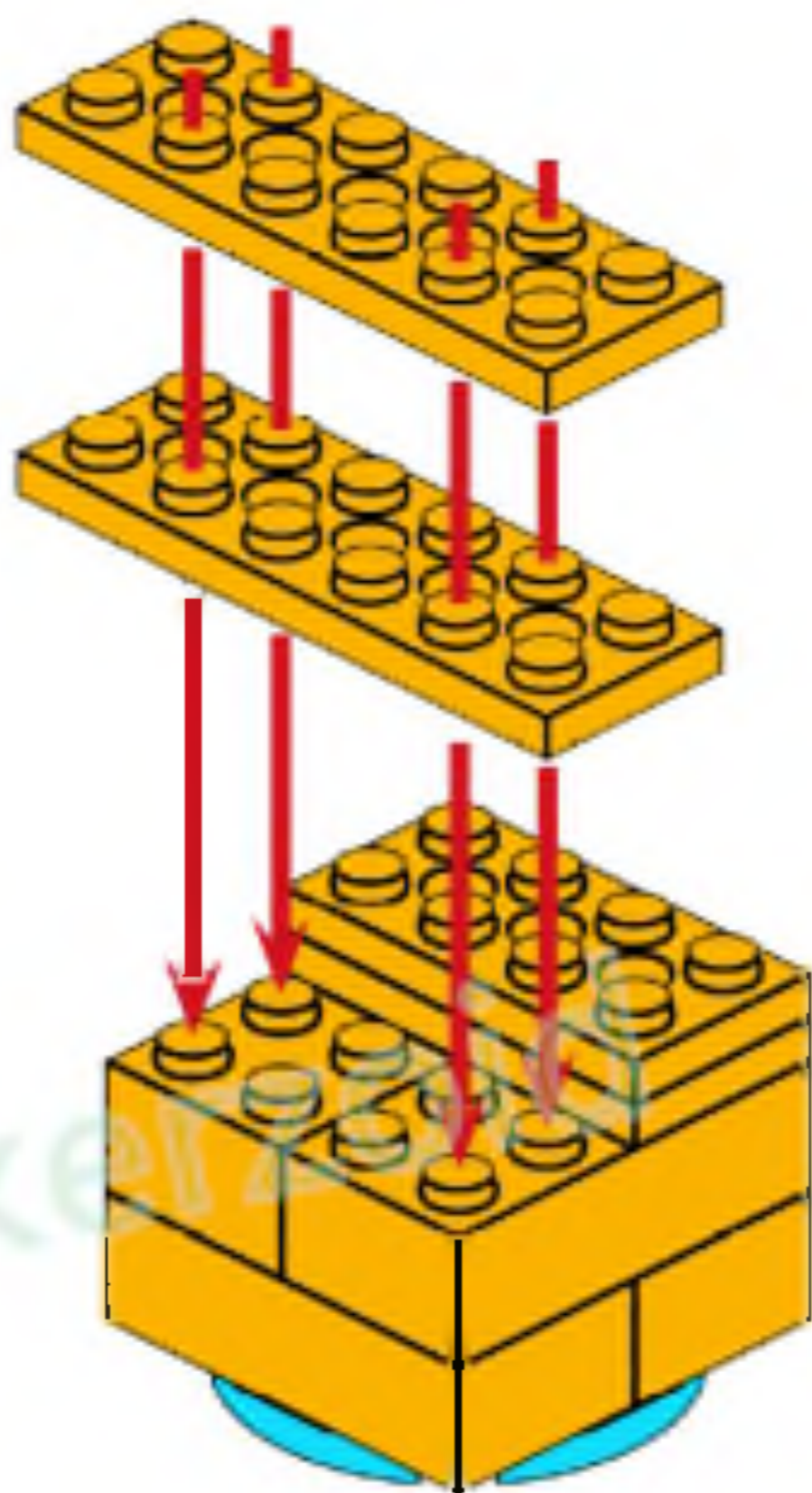




makerzoid

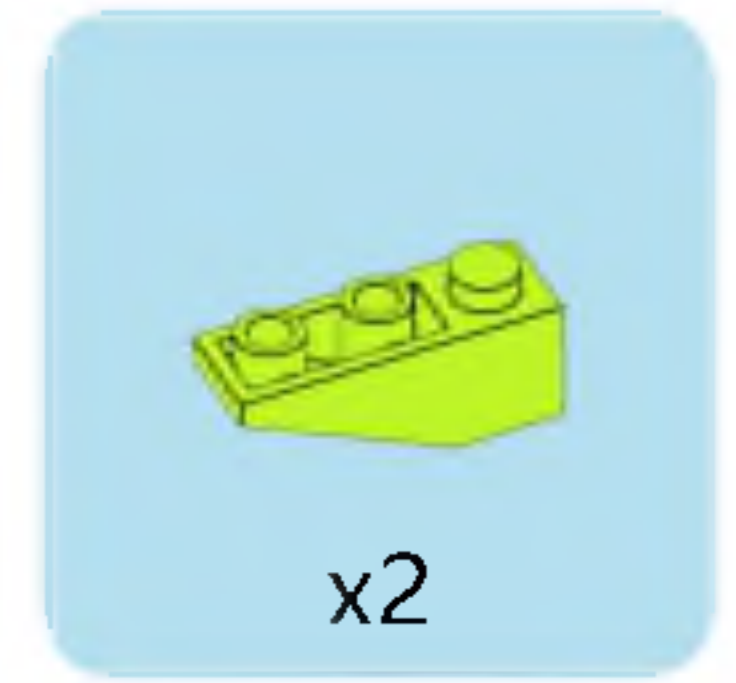
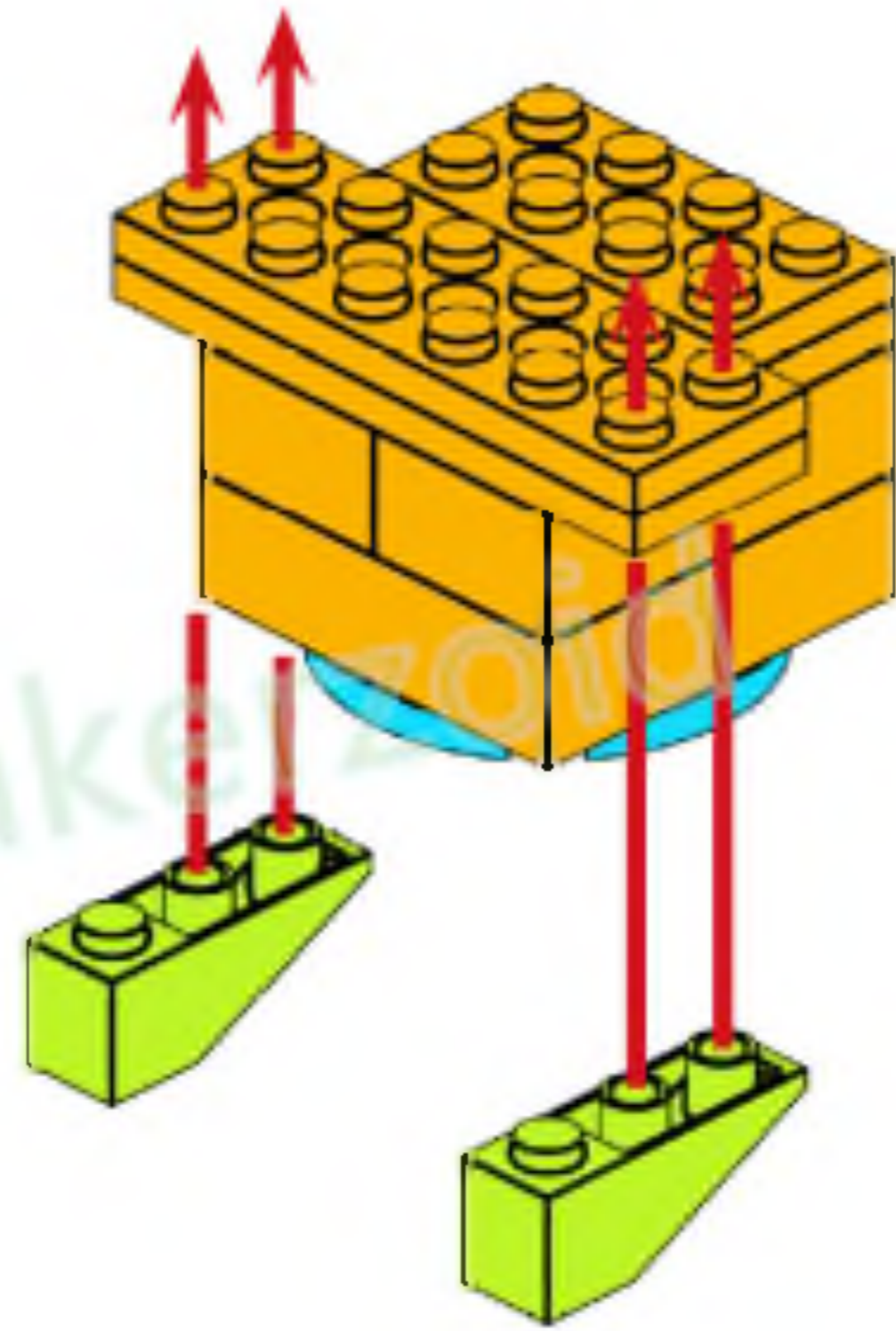


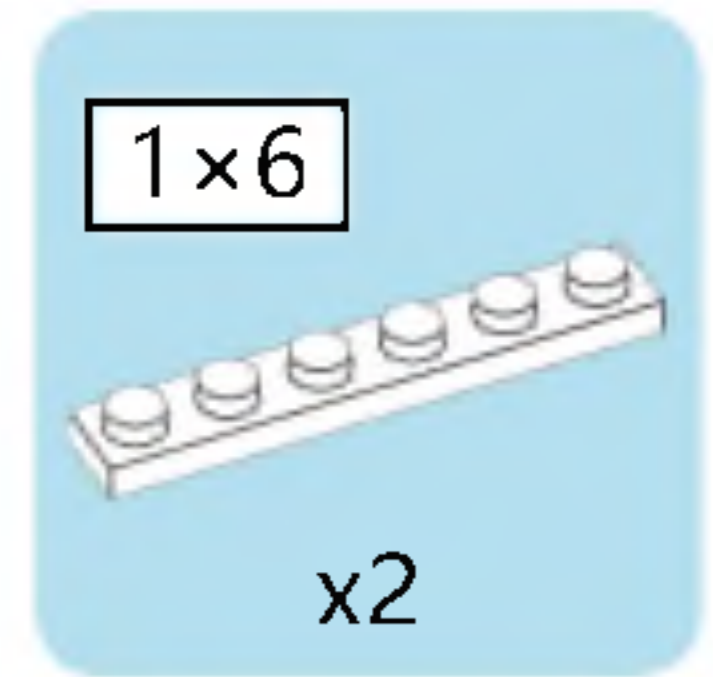
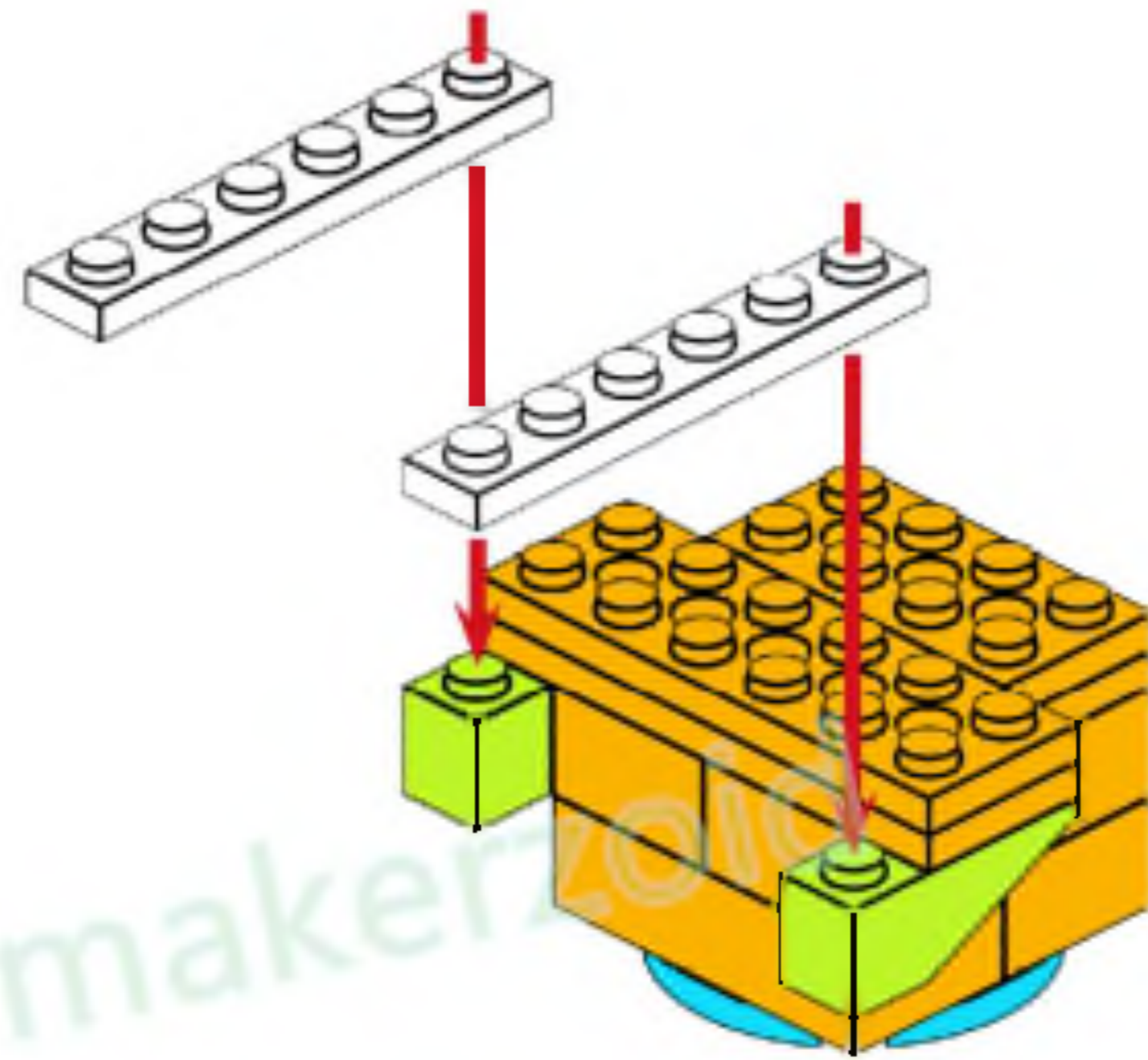


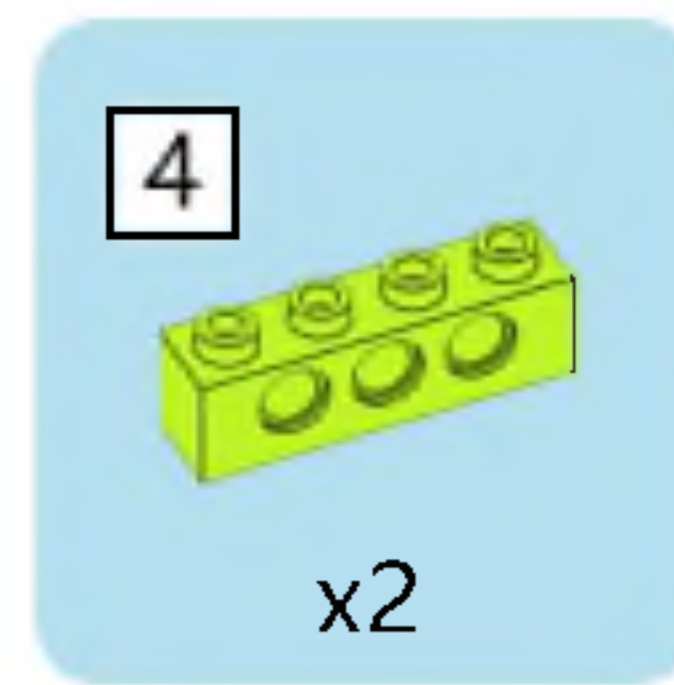
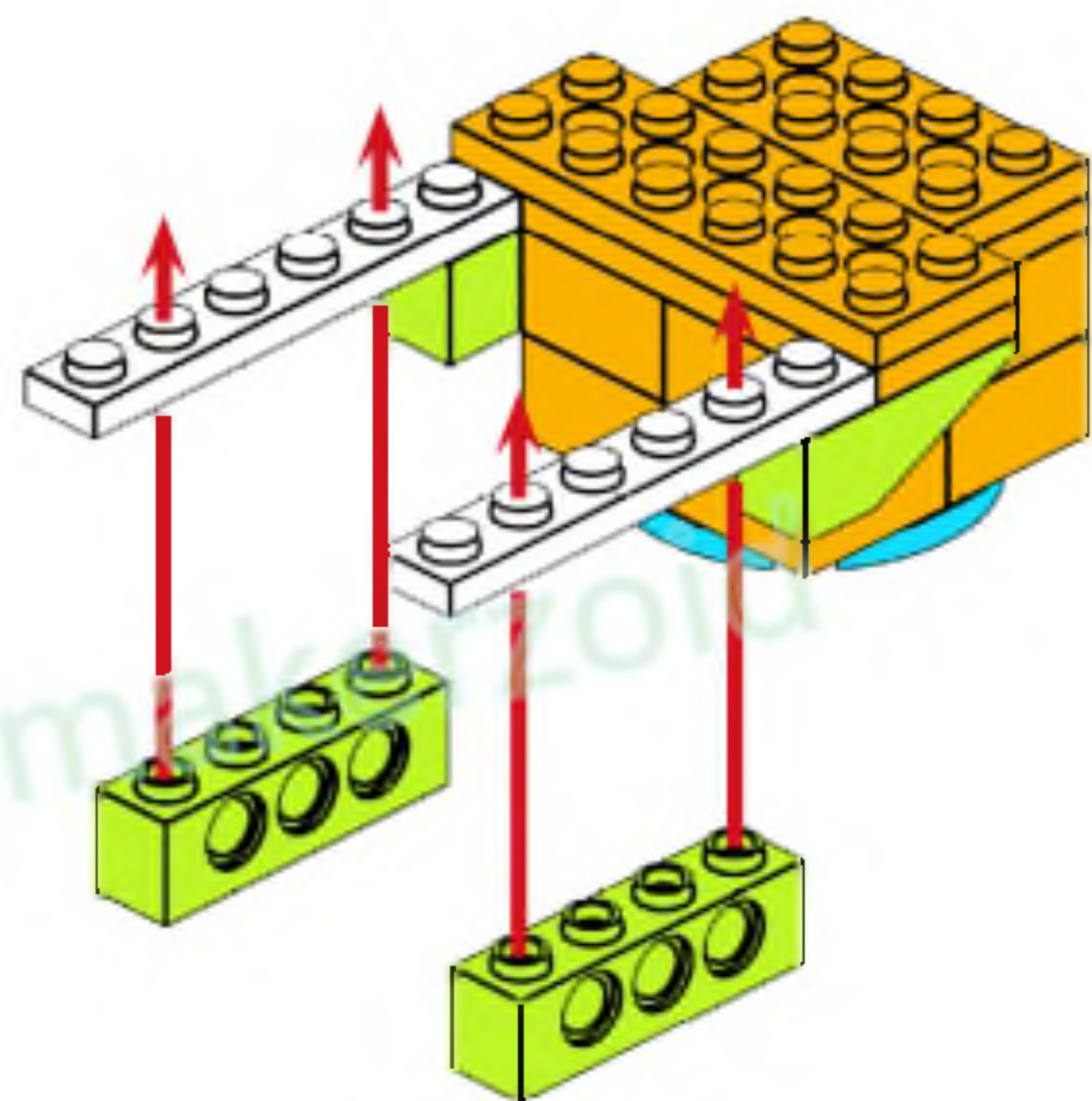


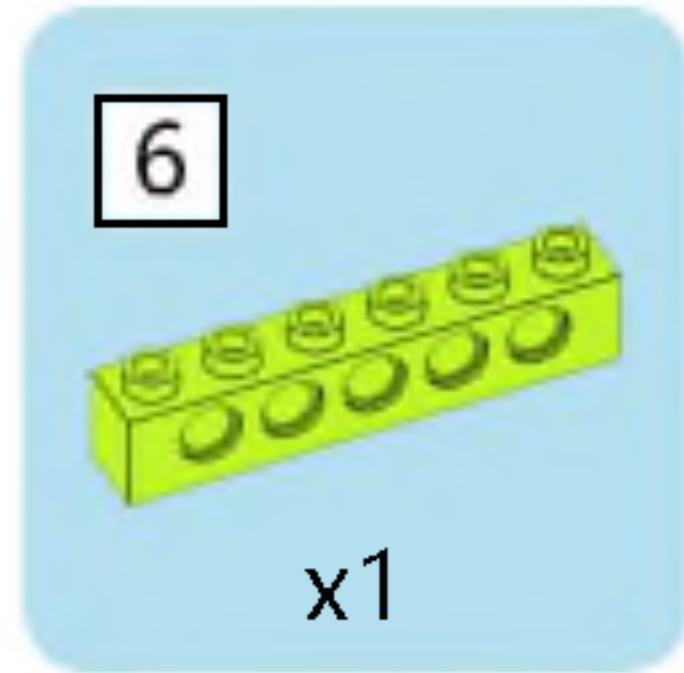
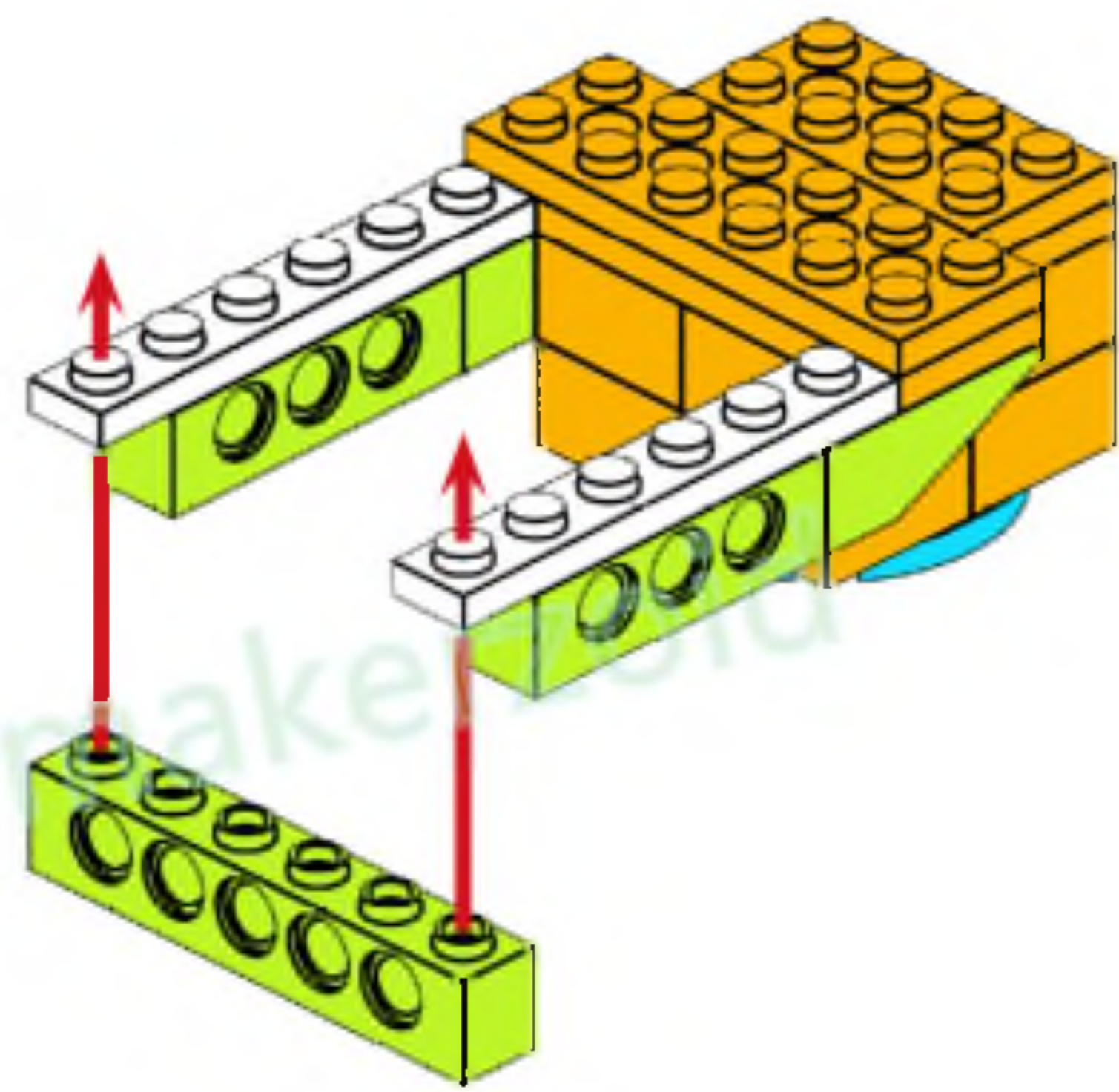
makeit



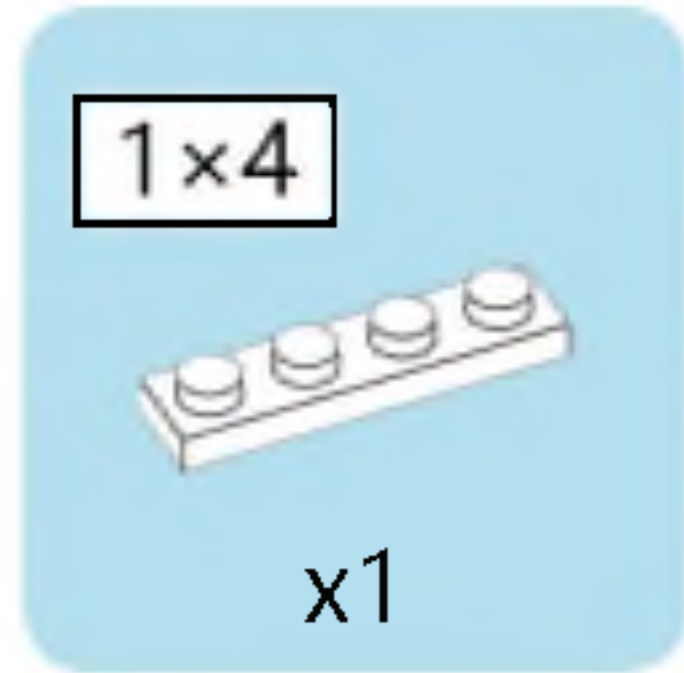
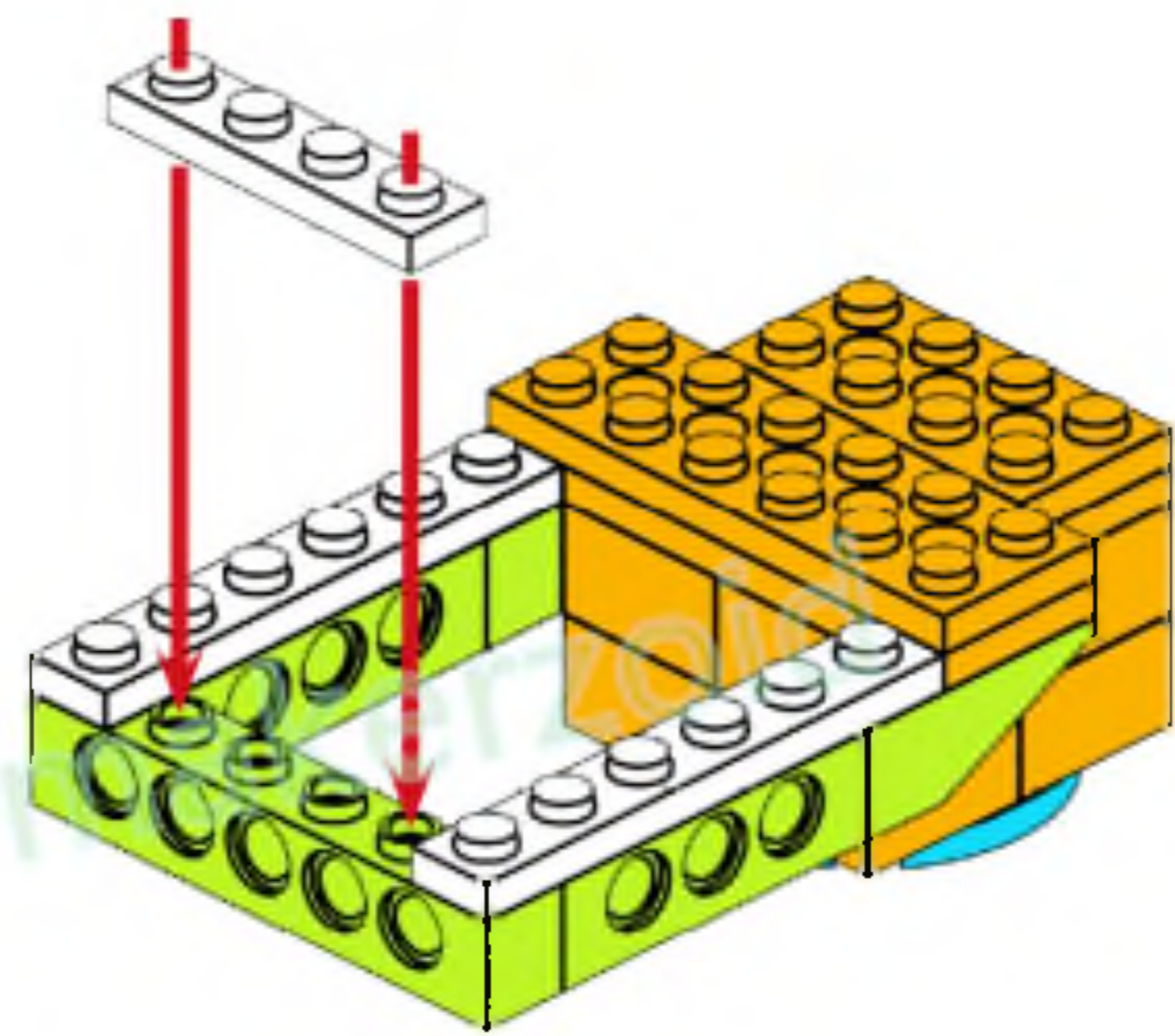


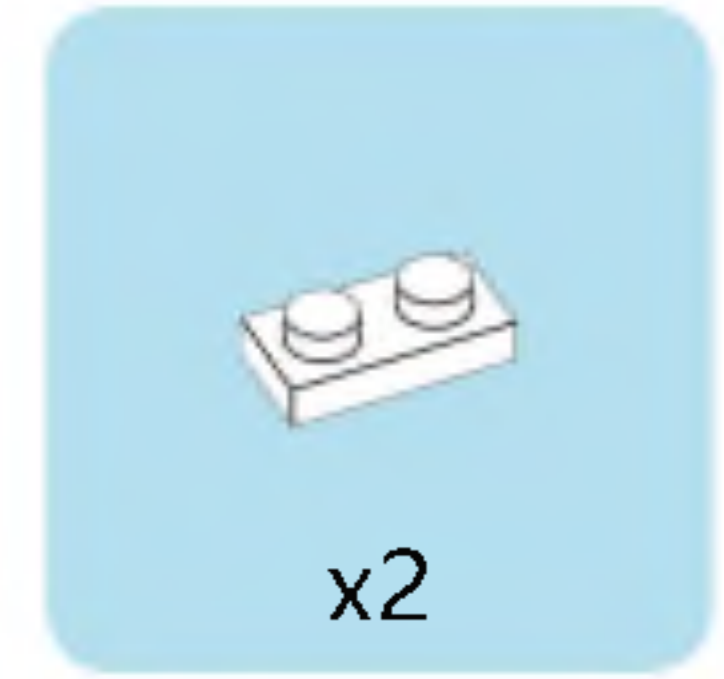
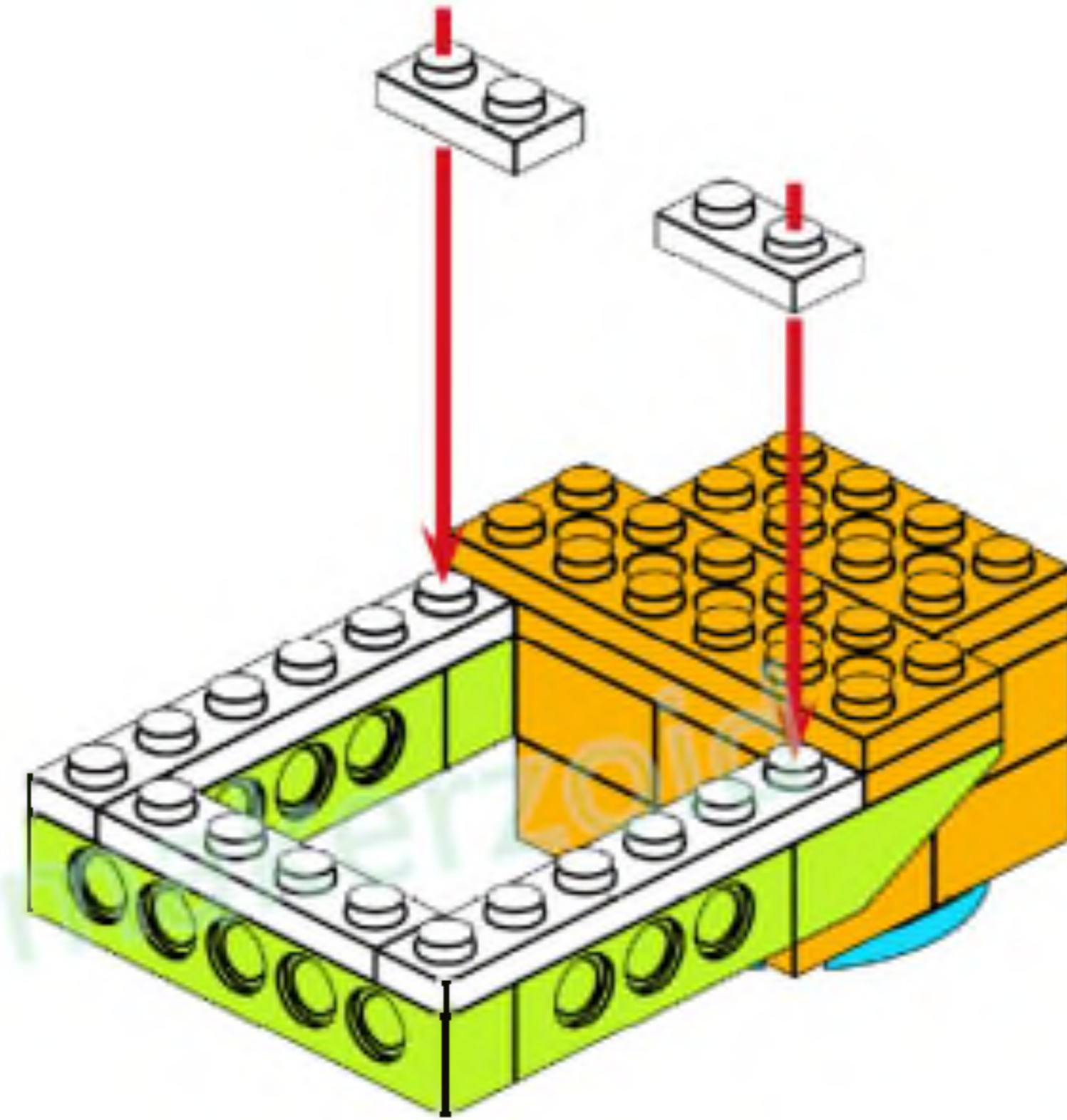


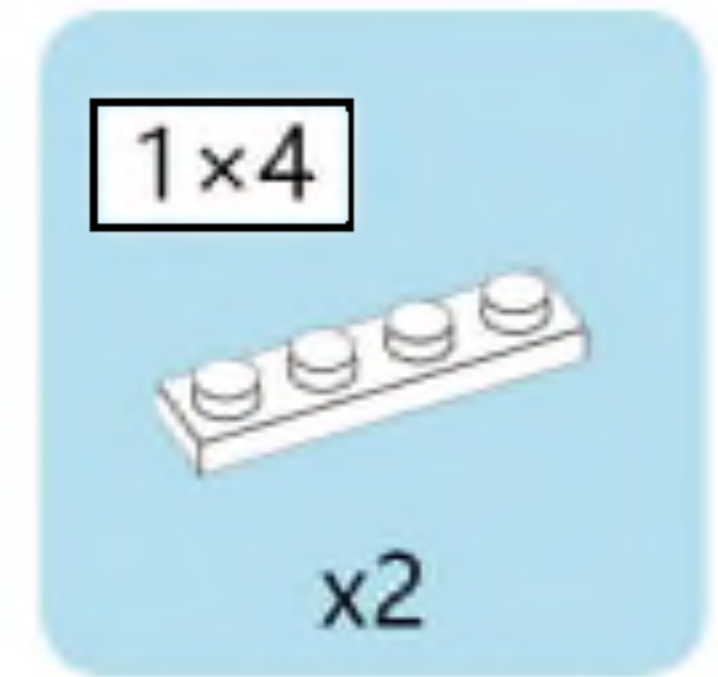
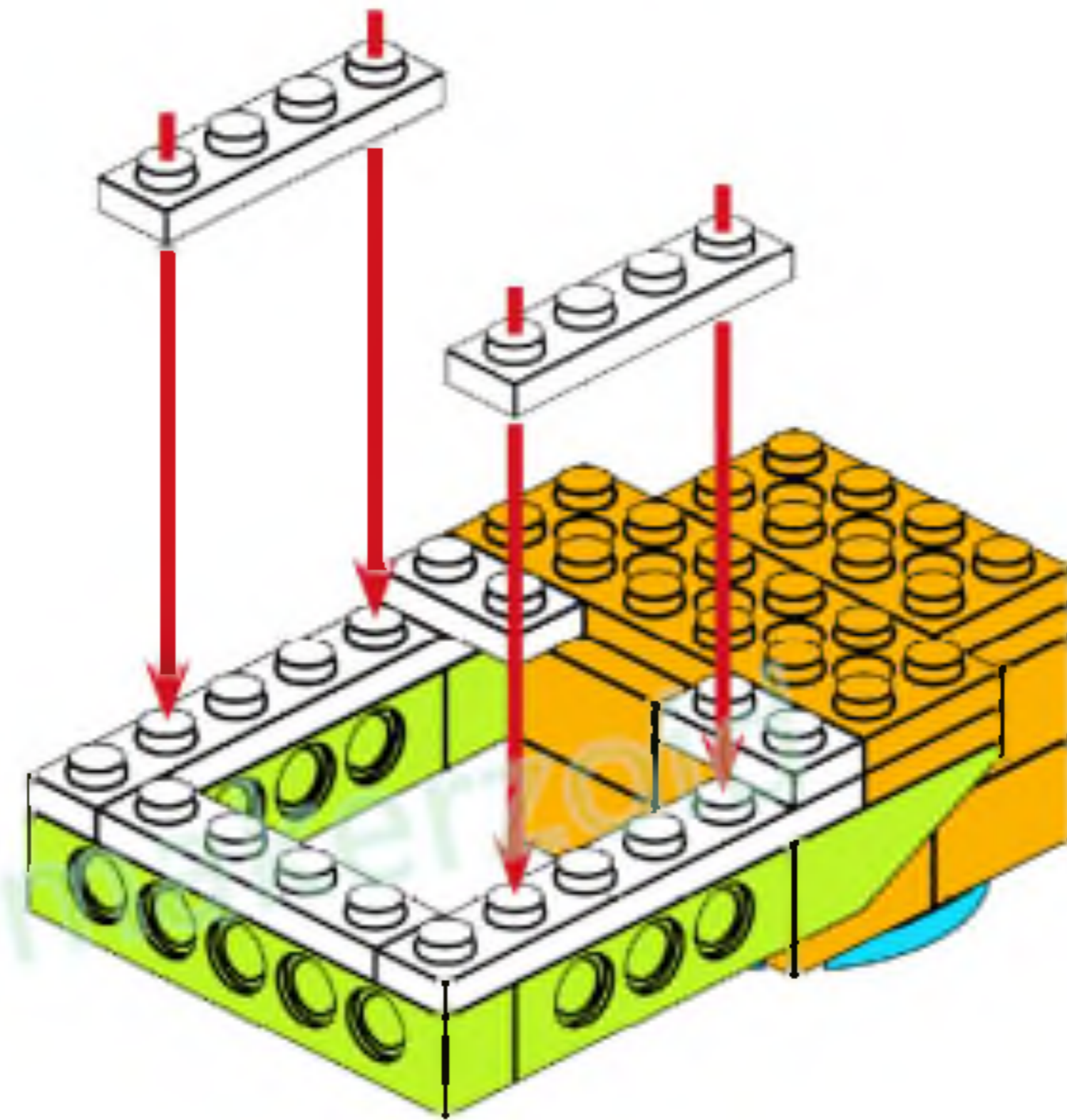


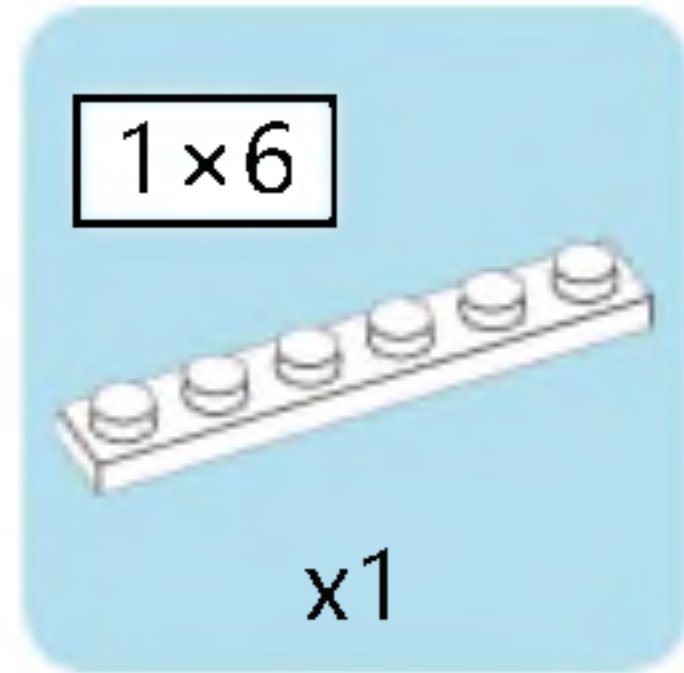
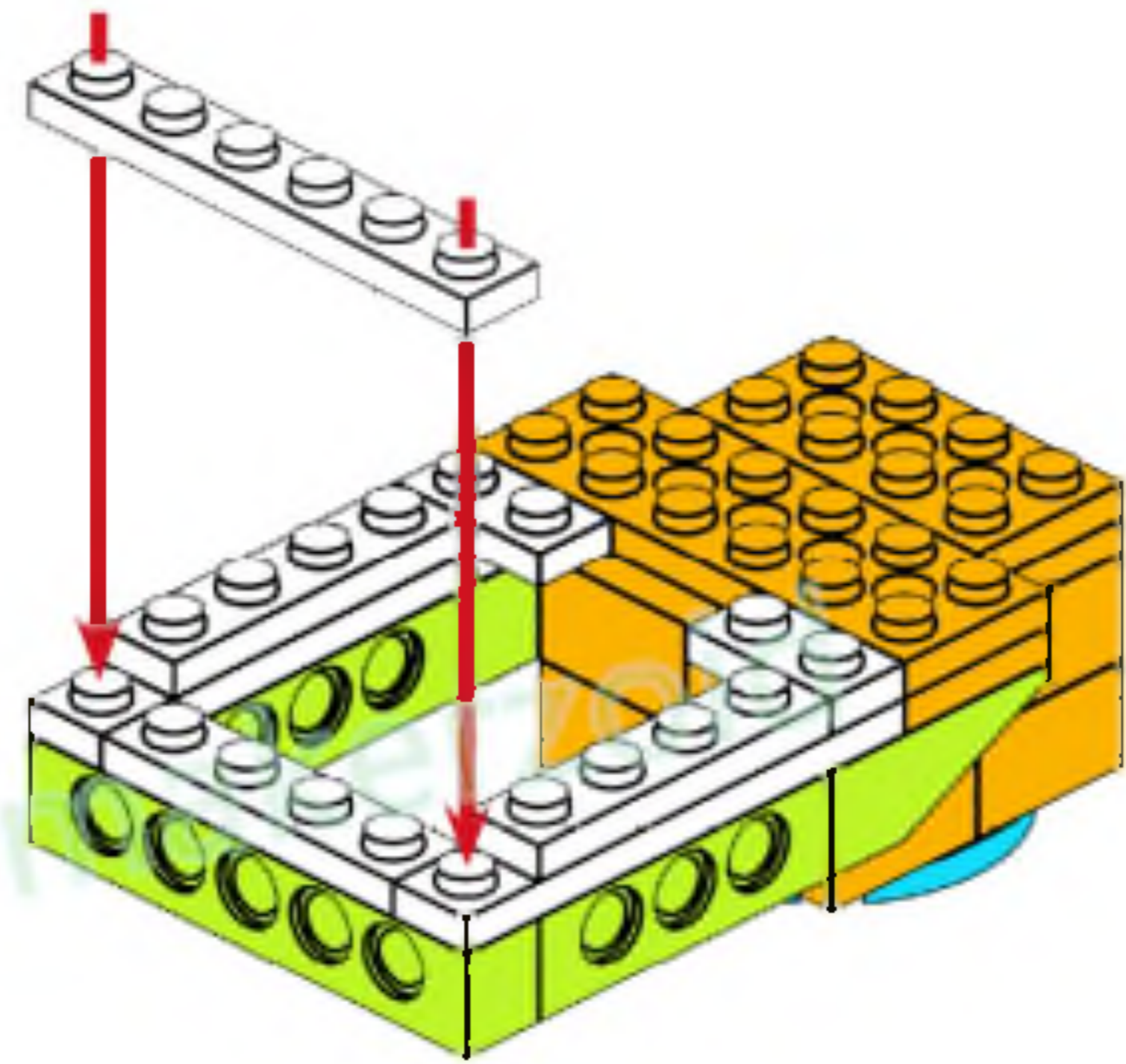


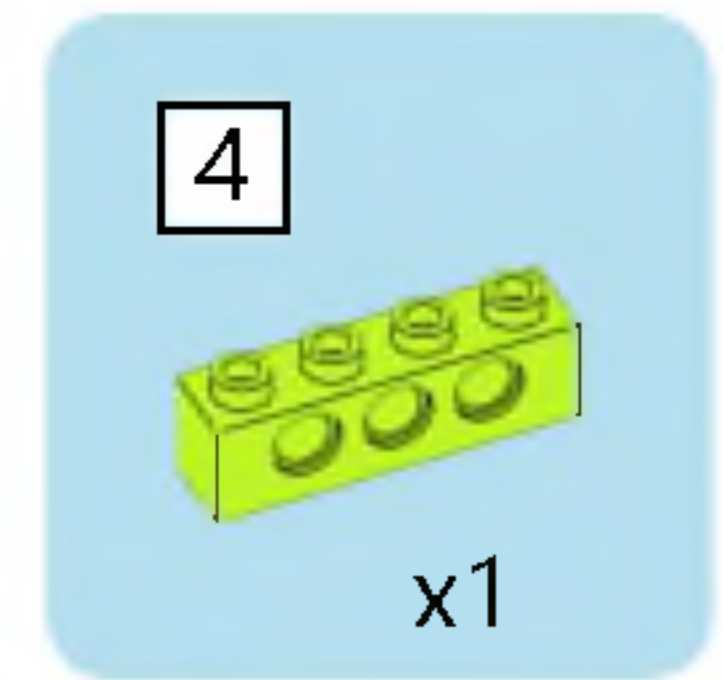
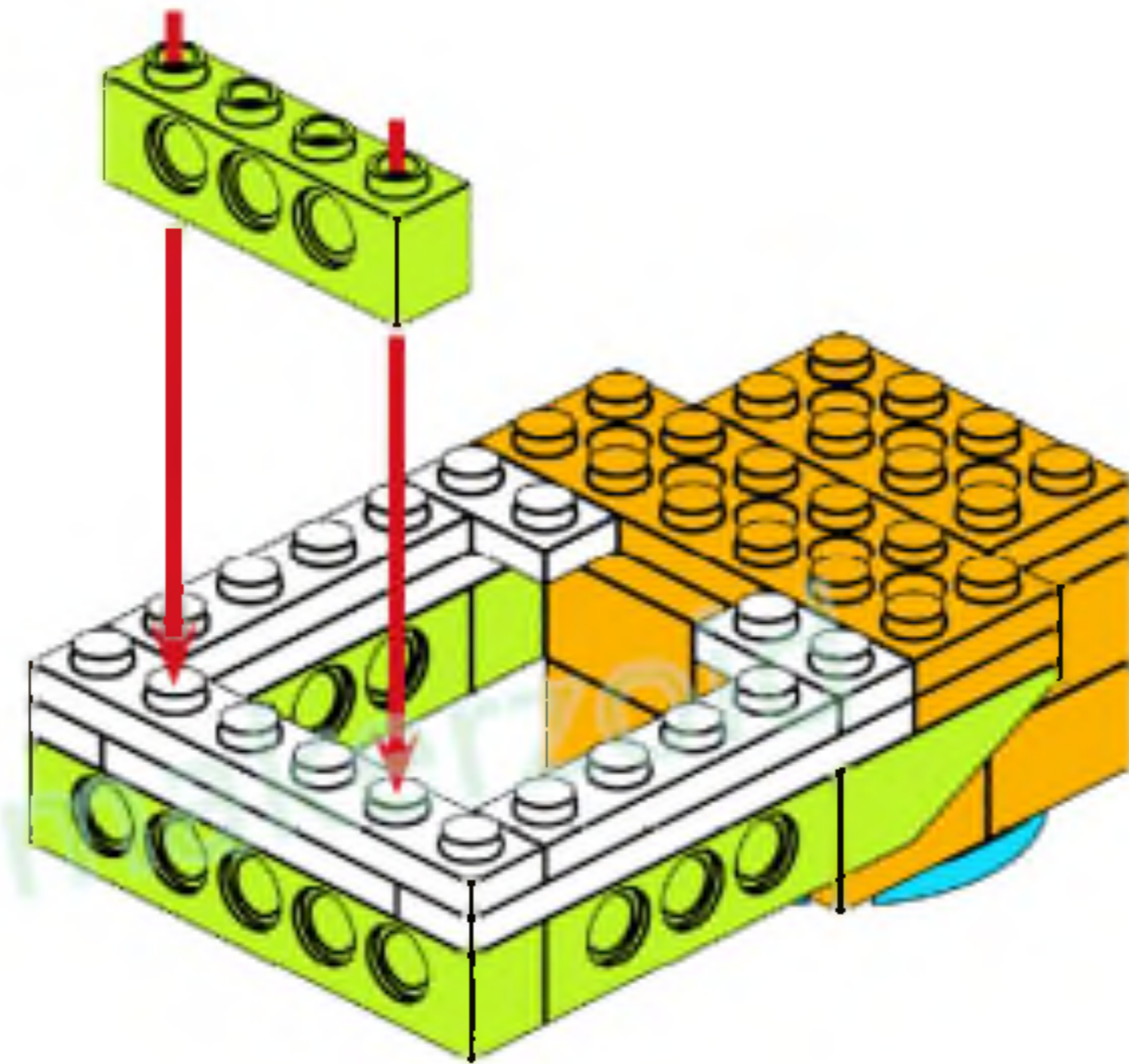


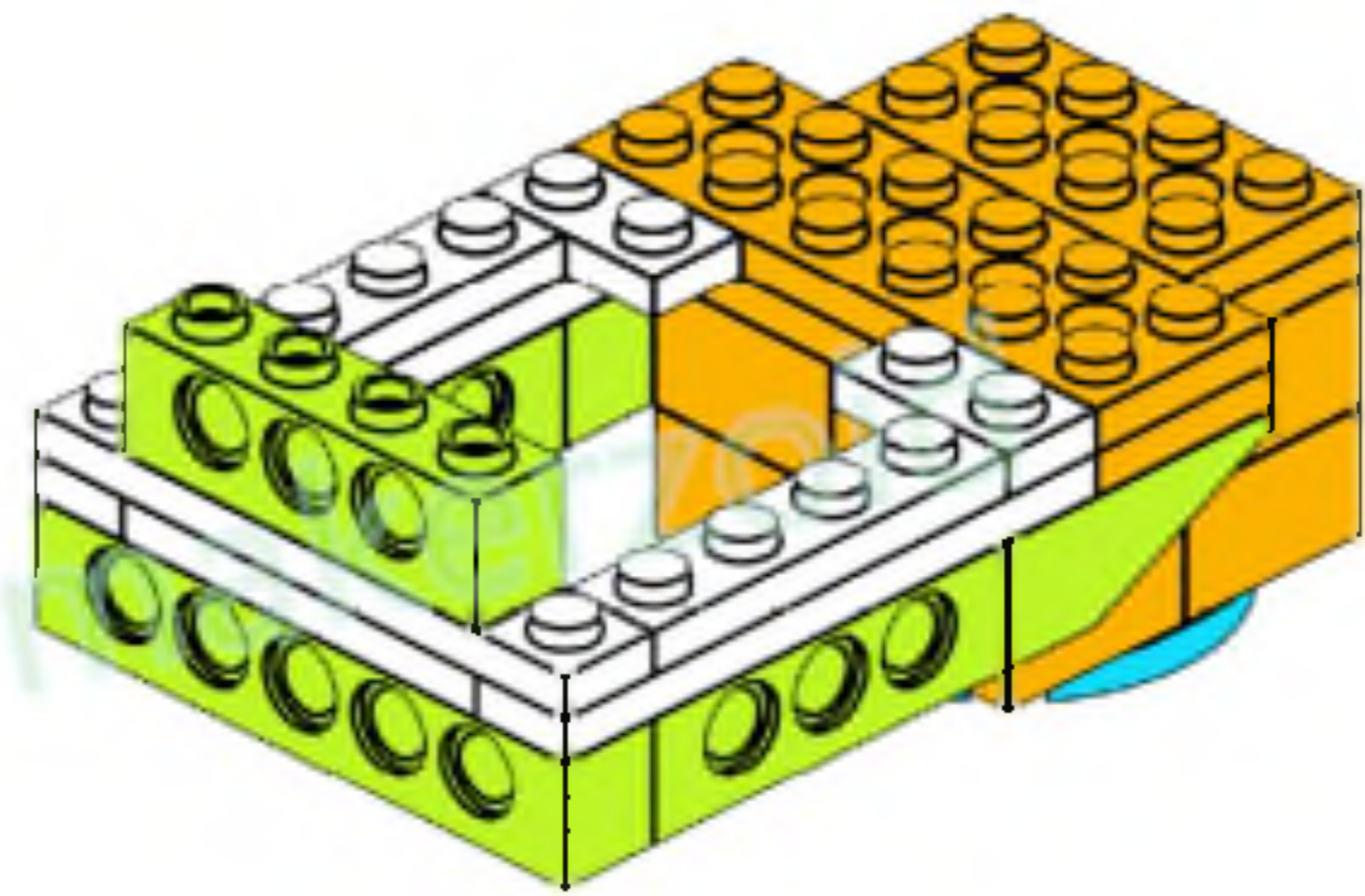


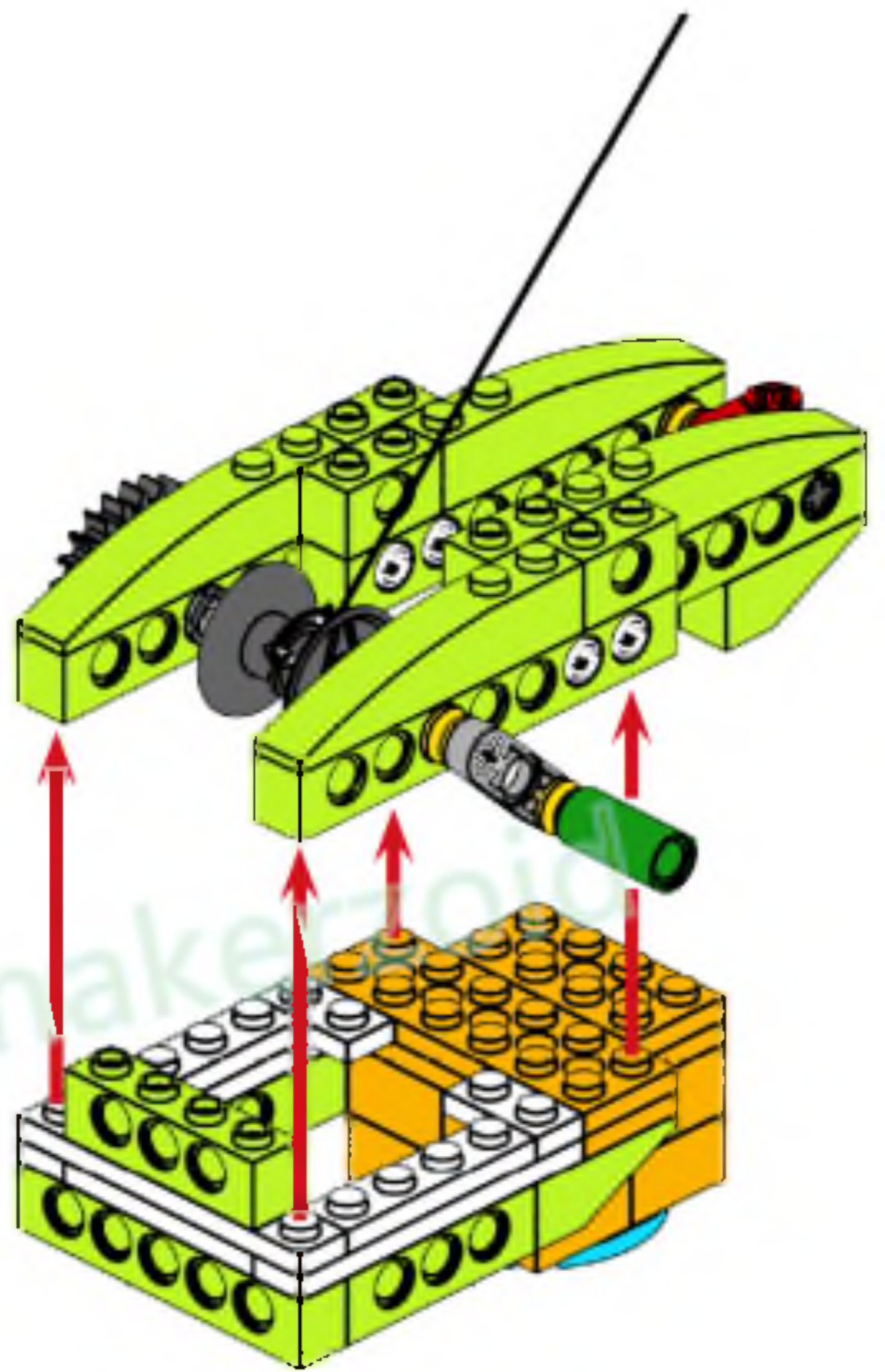


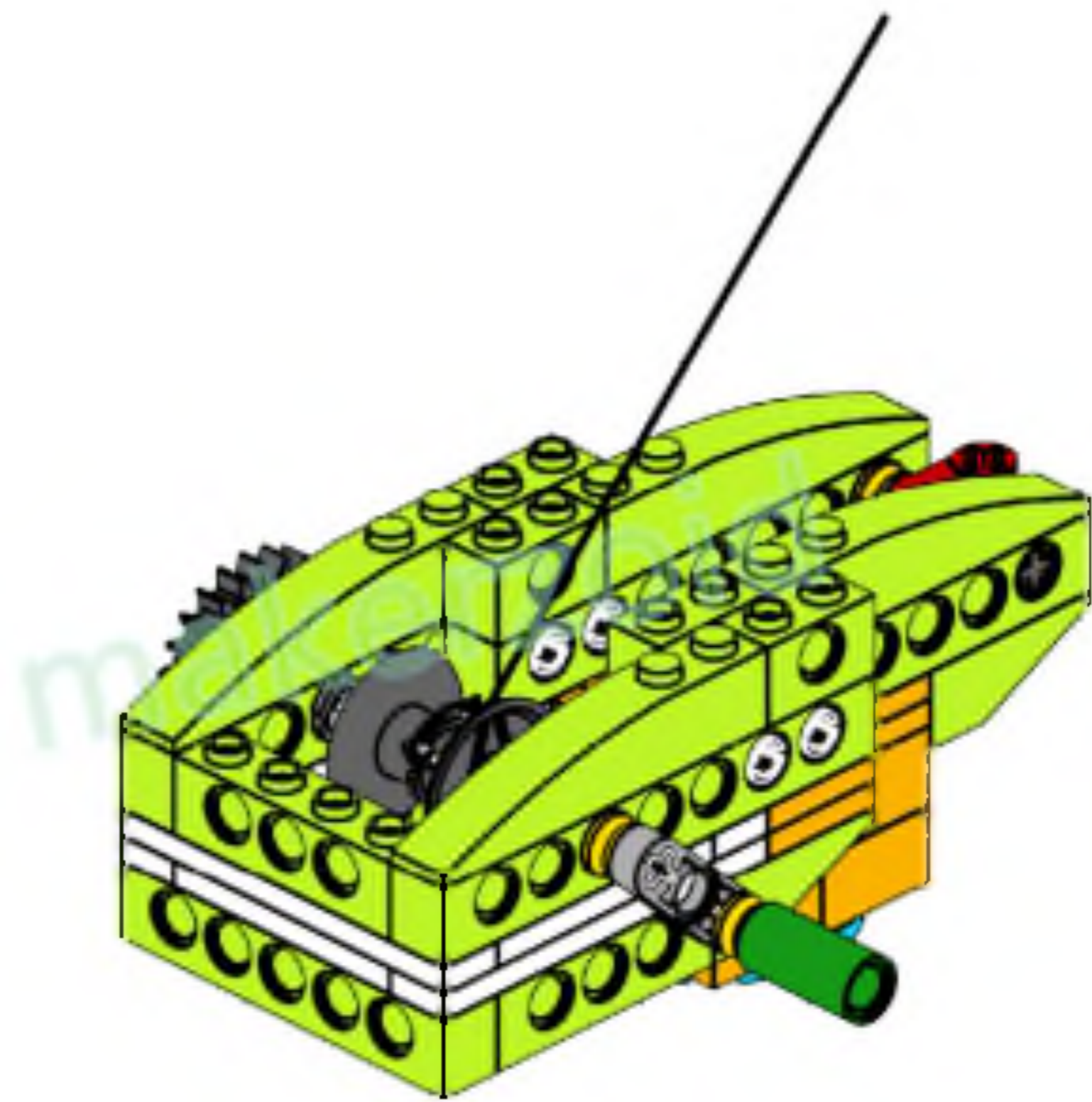




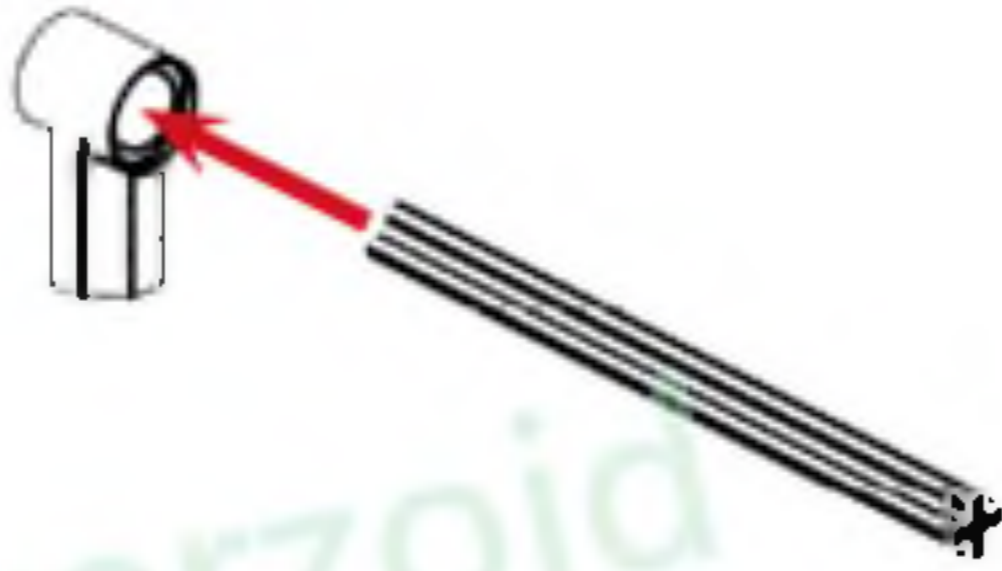




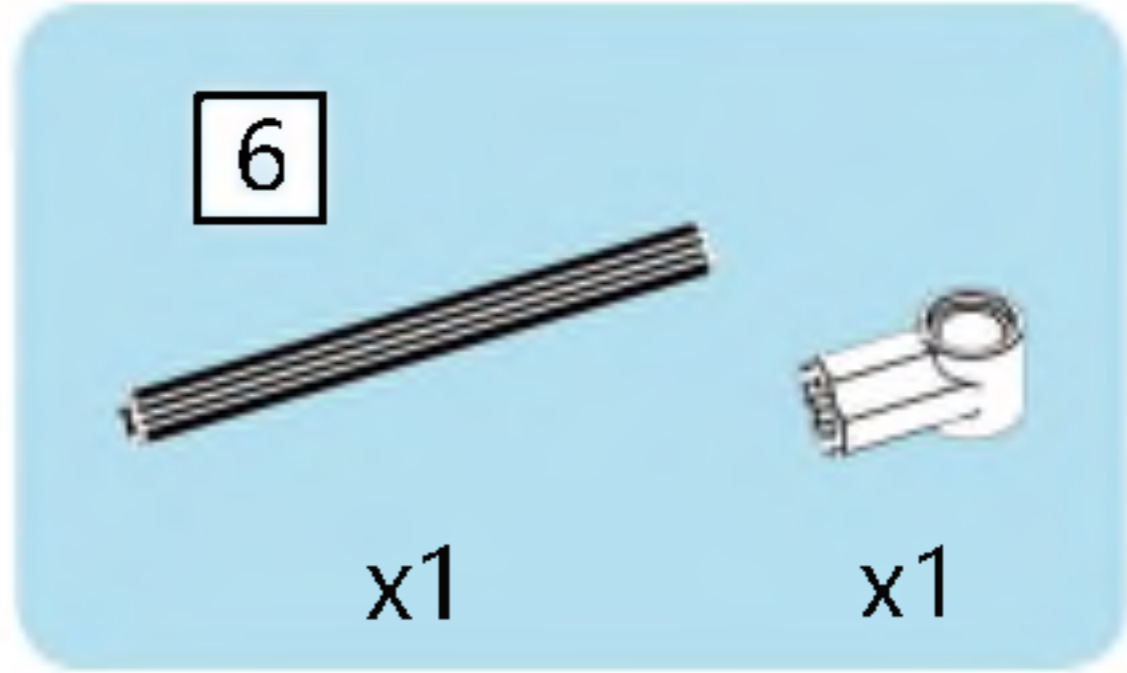


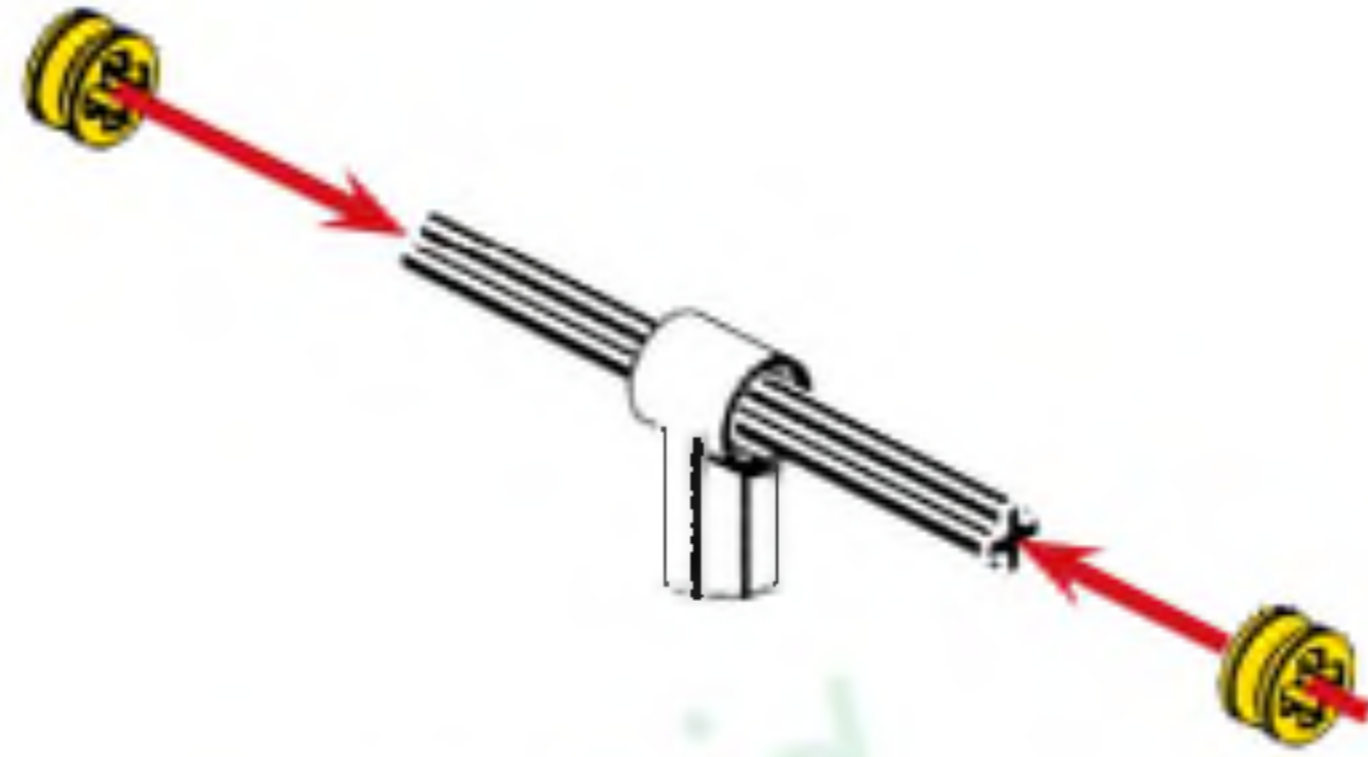






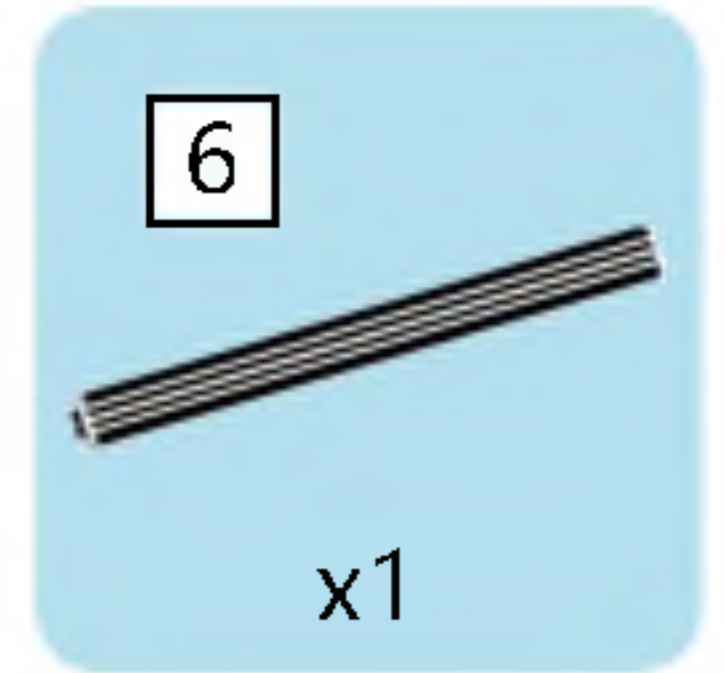
makerzoid





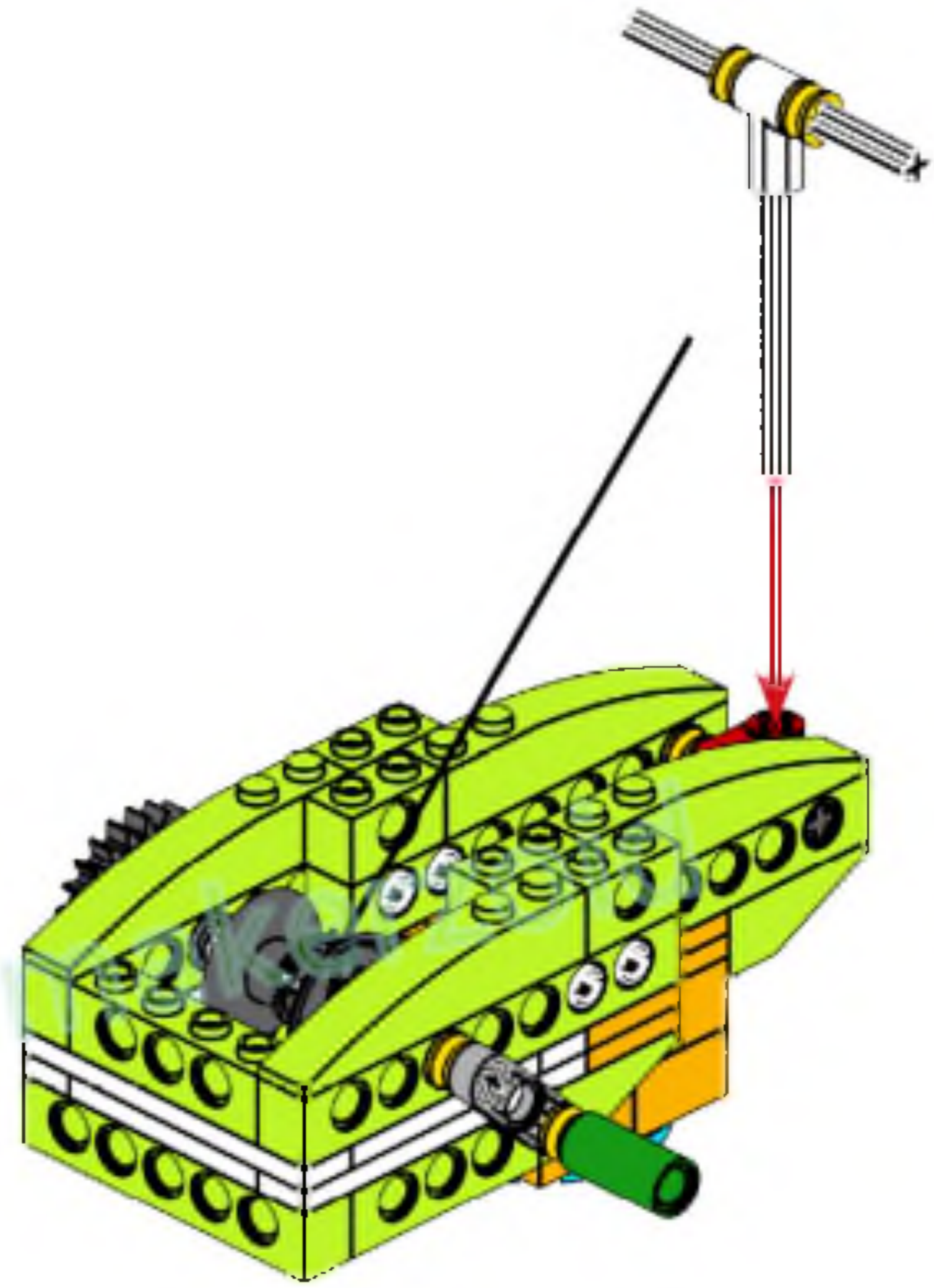
makerzoid

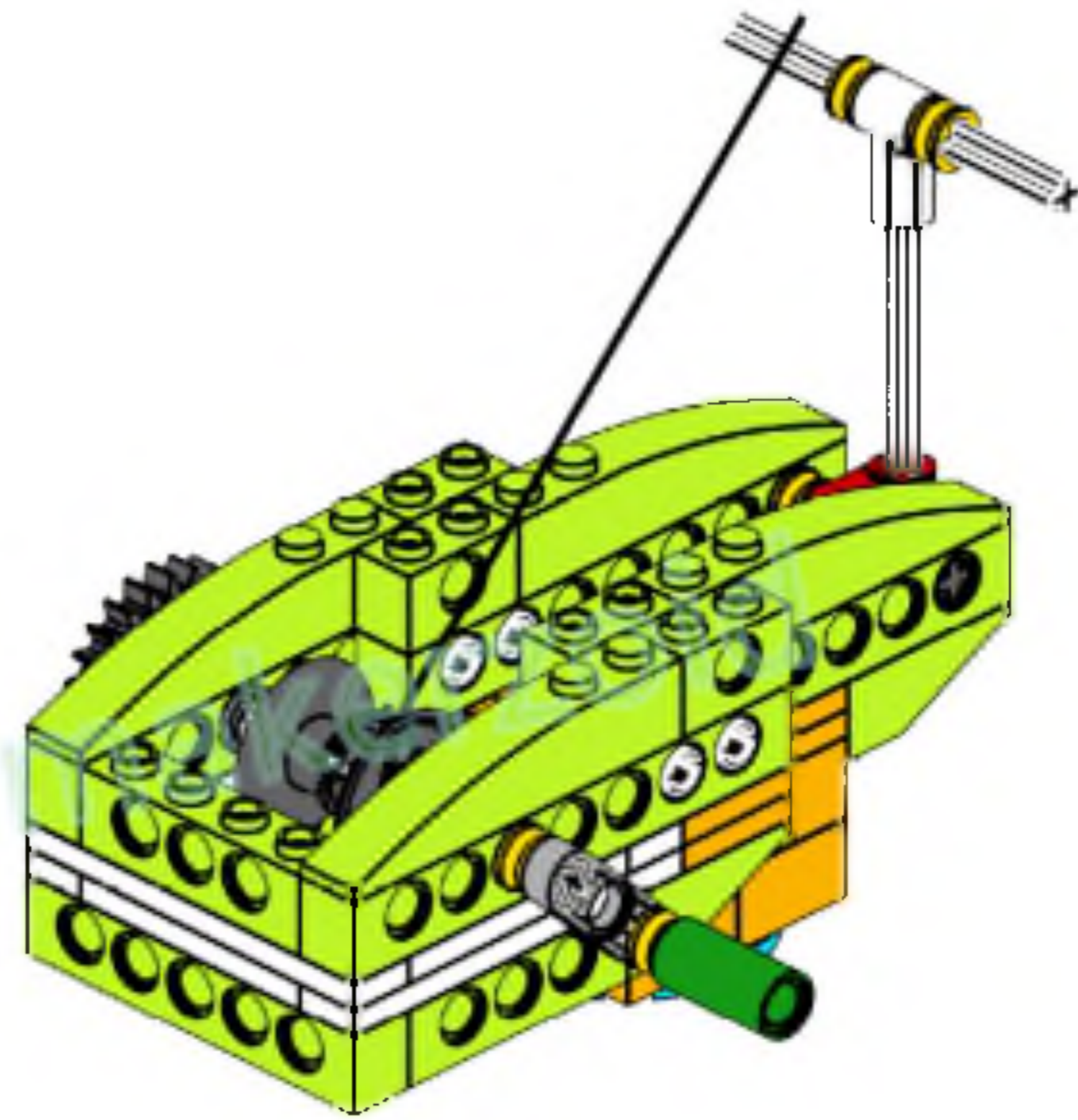
makerzoid

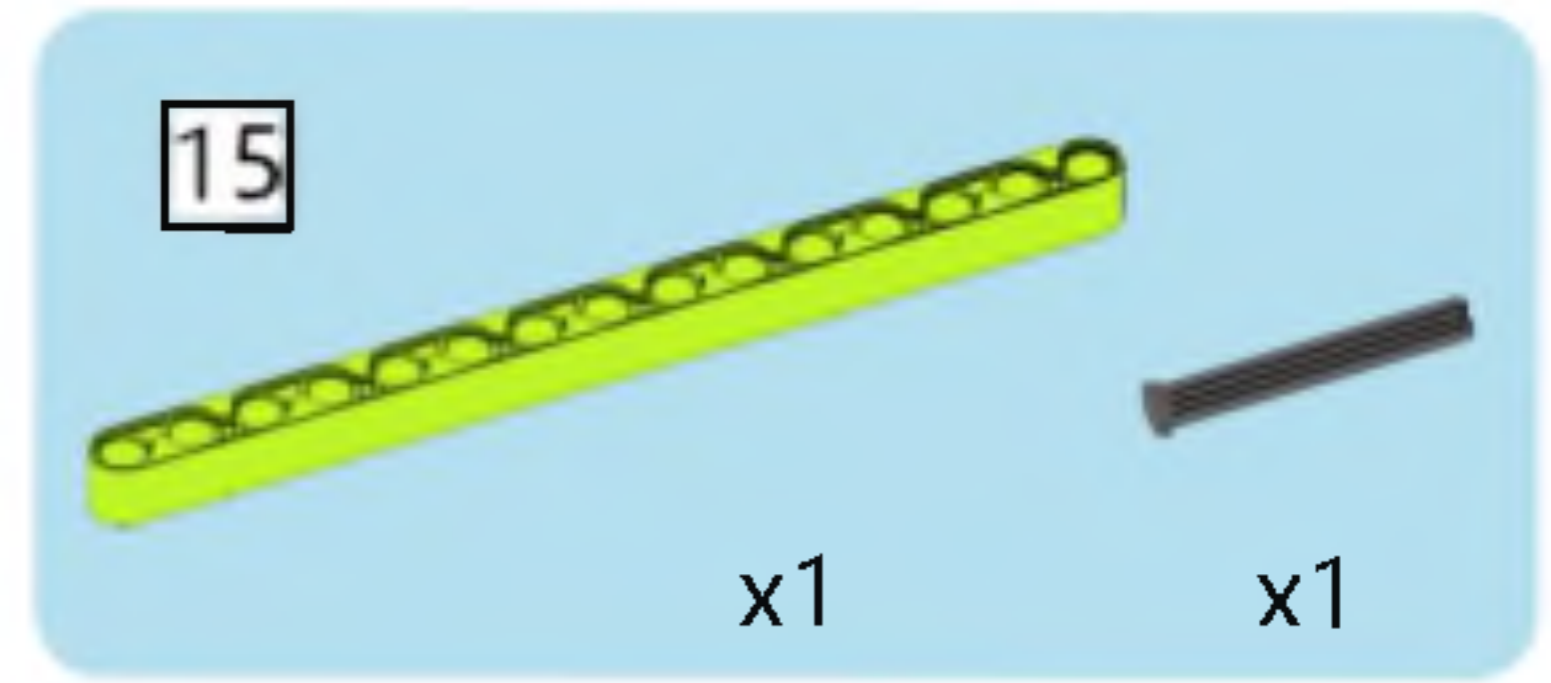




makerzoid







makezoid



makezoid





x1

makezoid



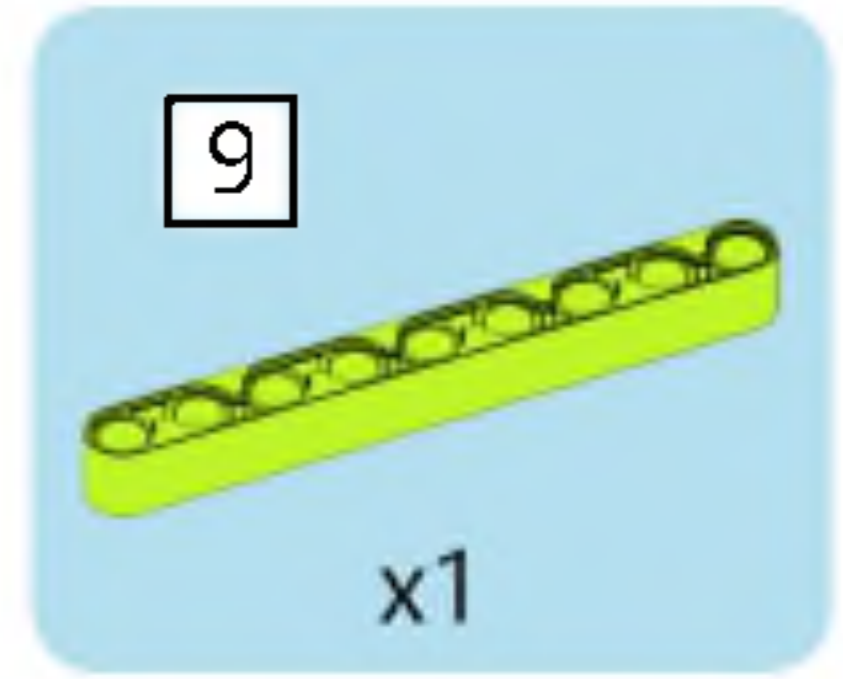
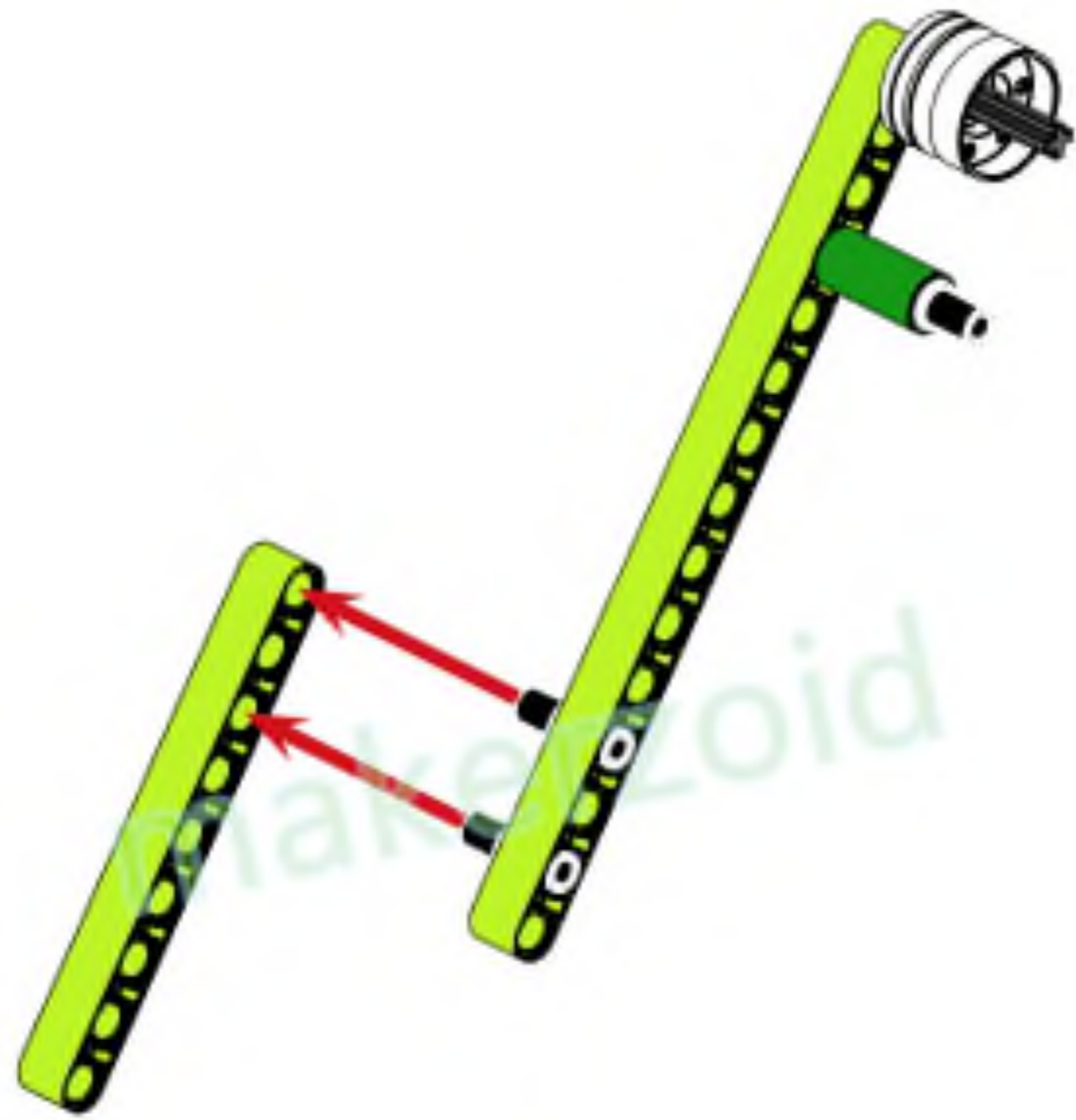
makezoid



makezoid

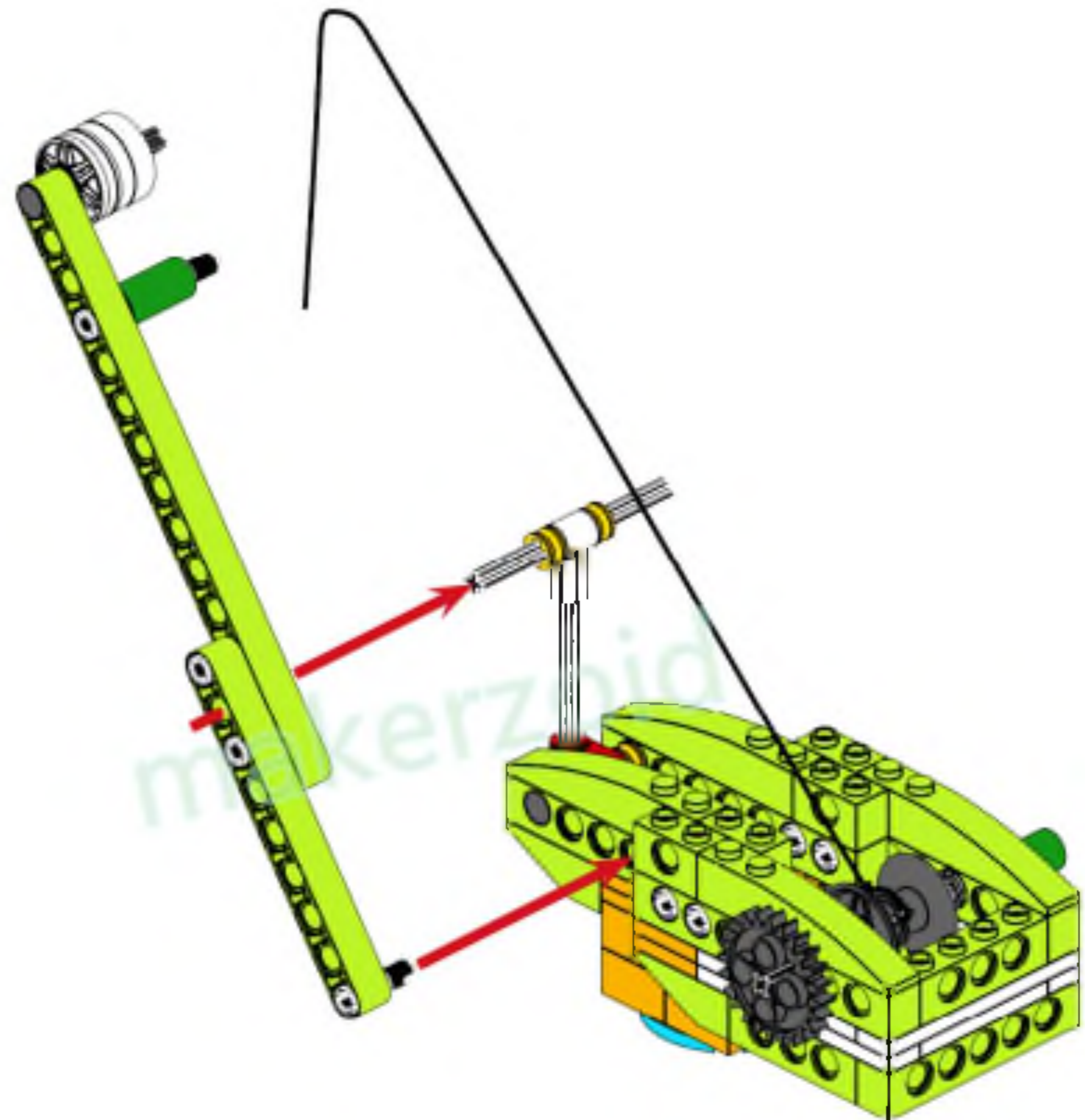








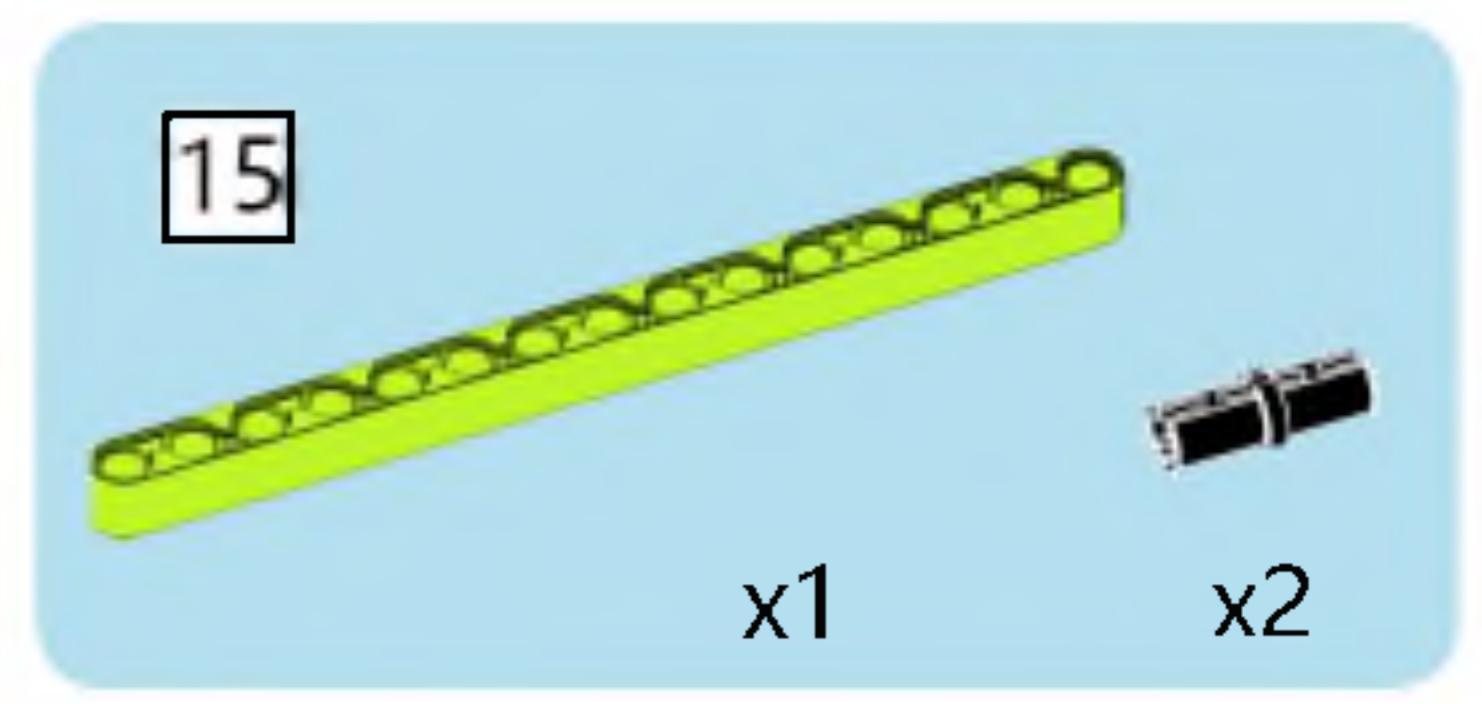


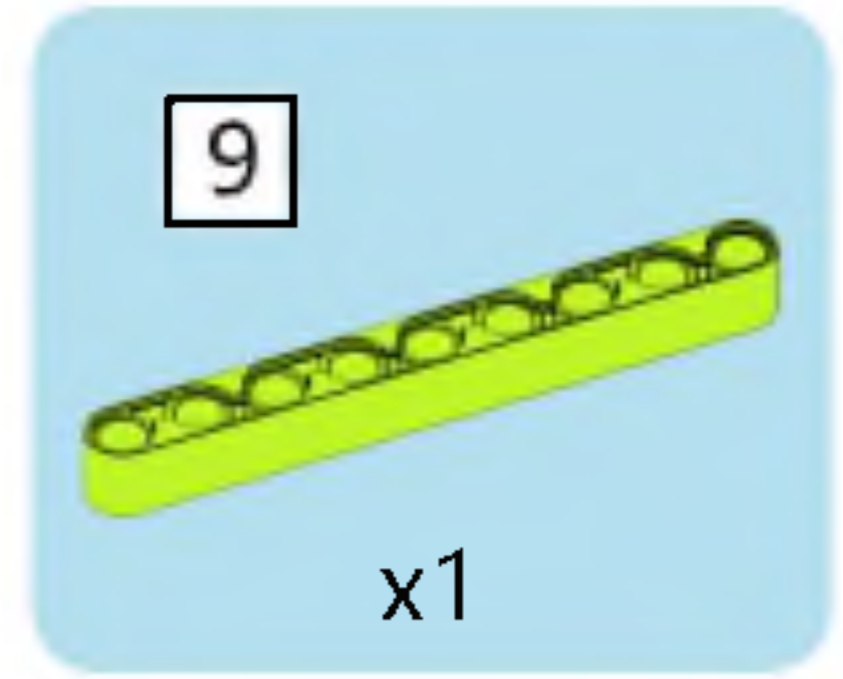
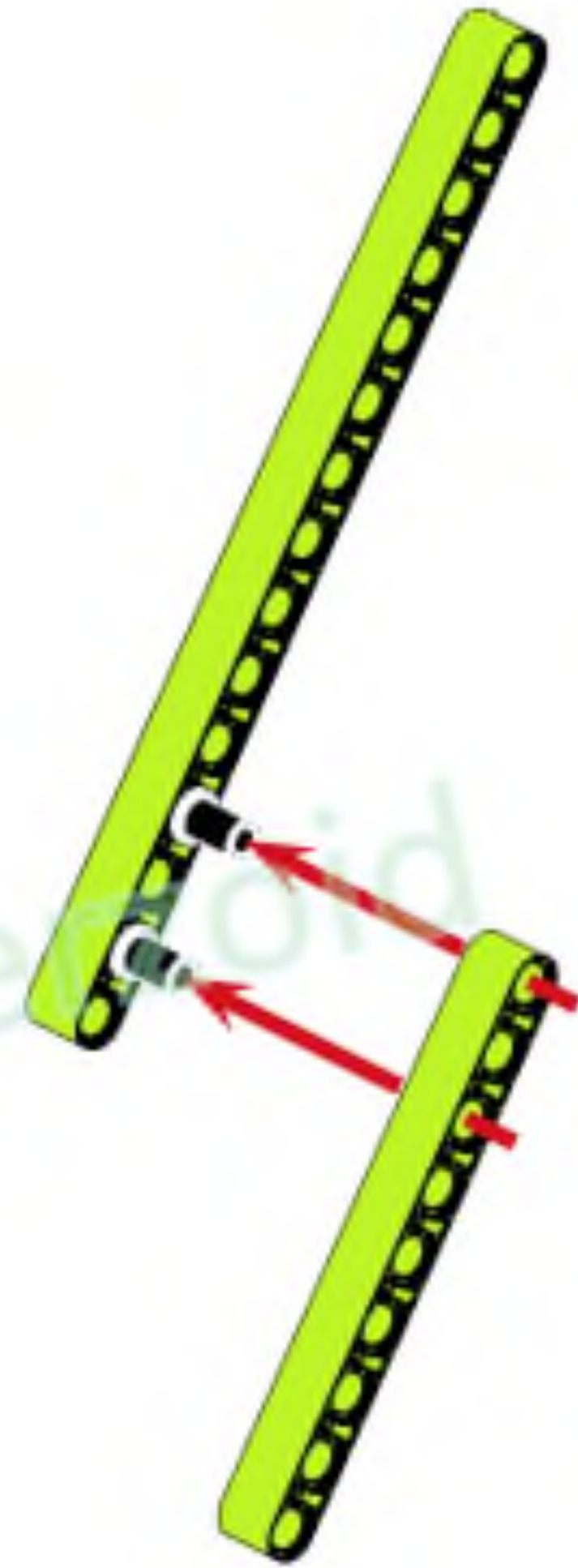






makerzoid



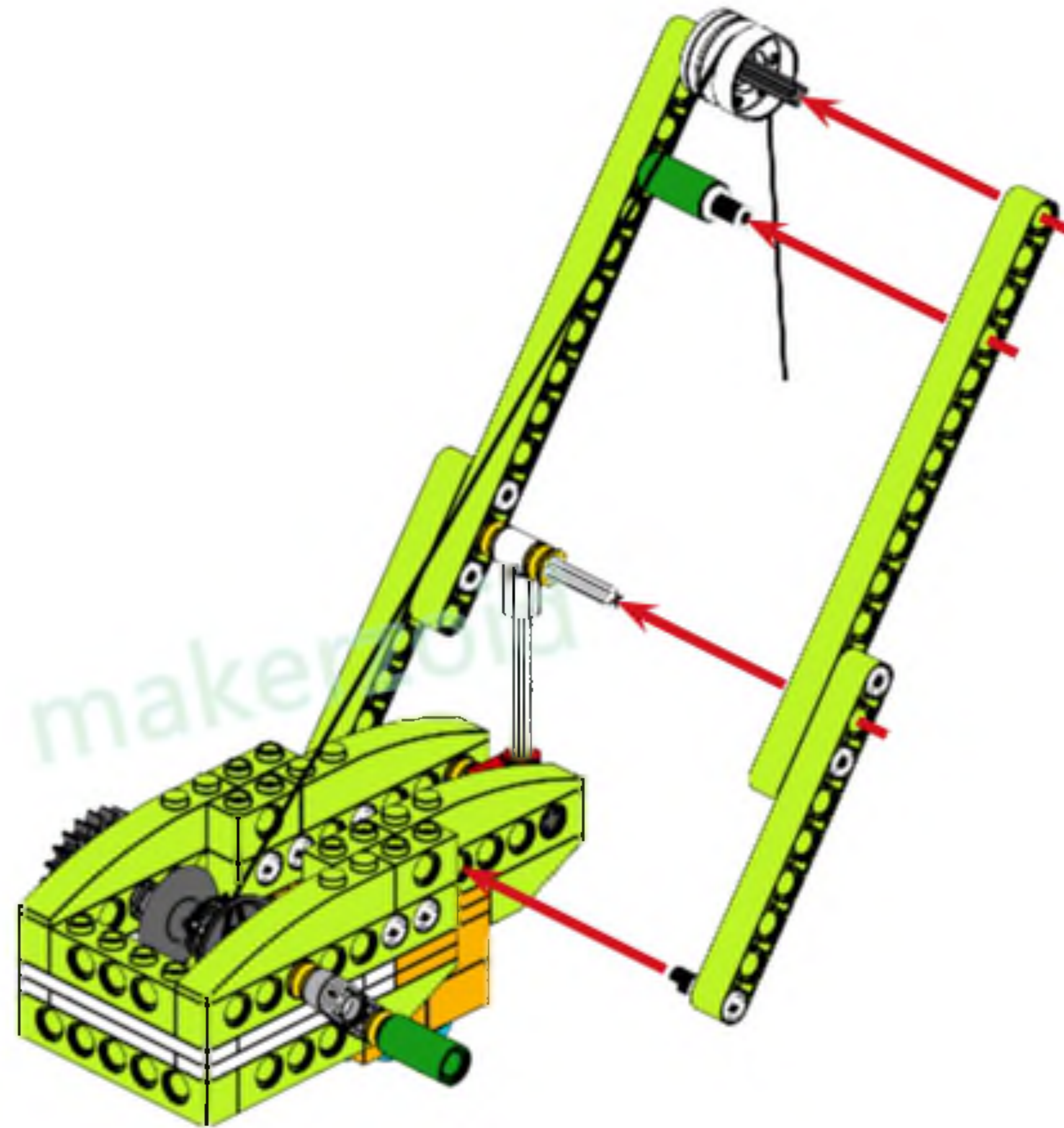


makeoid

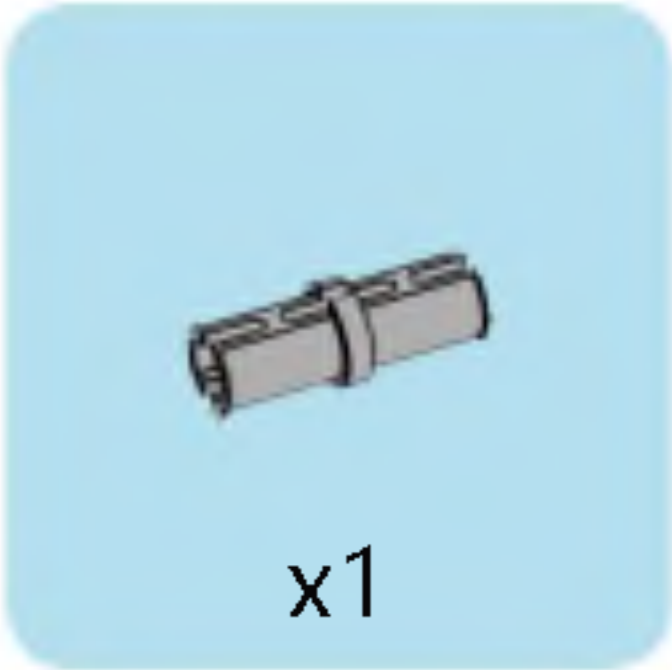
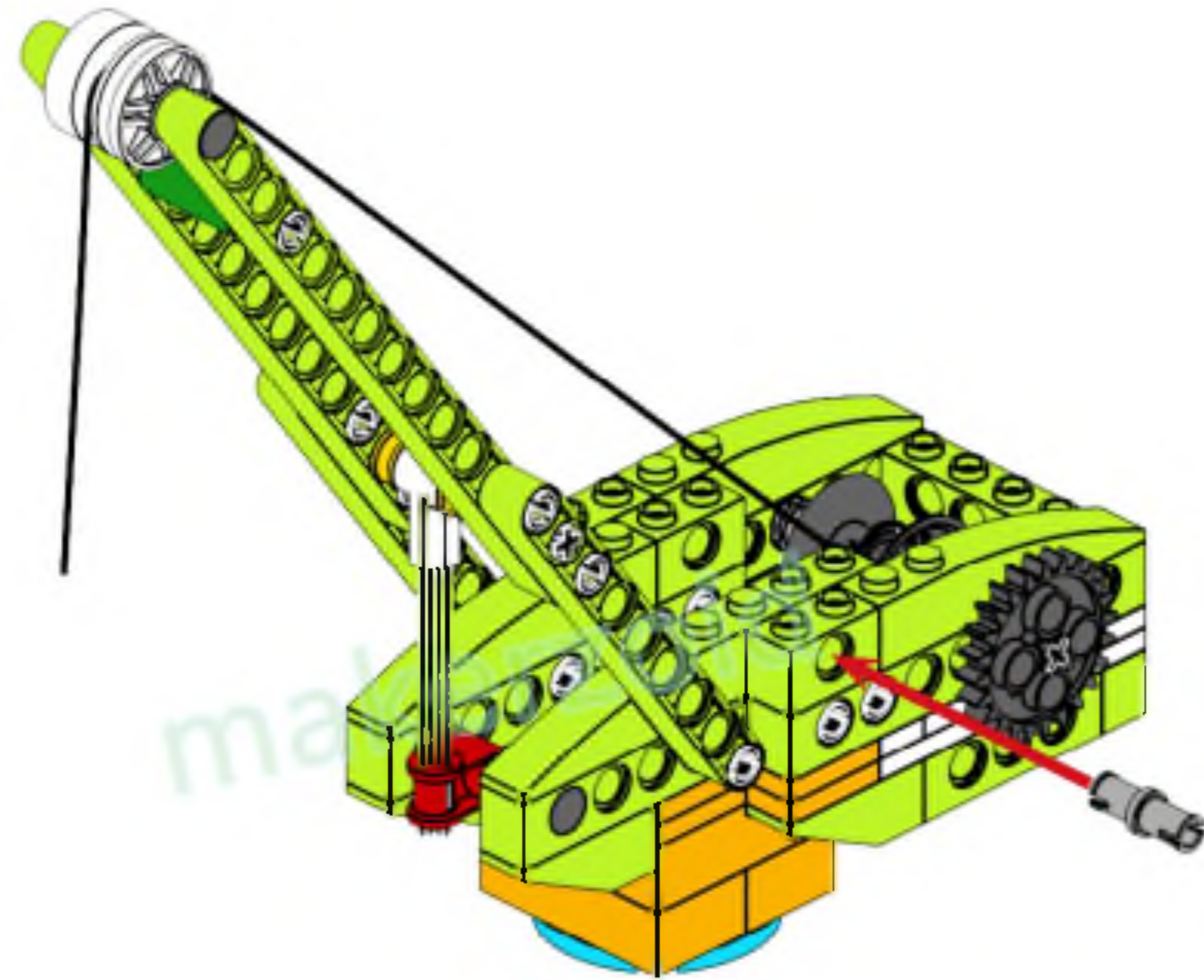




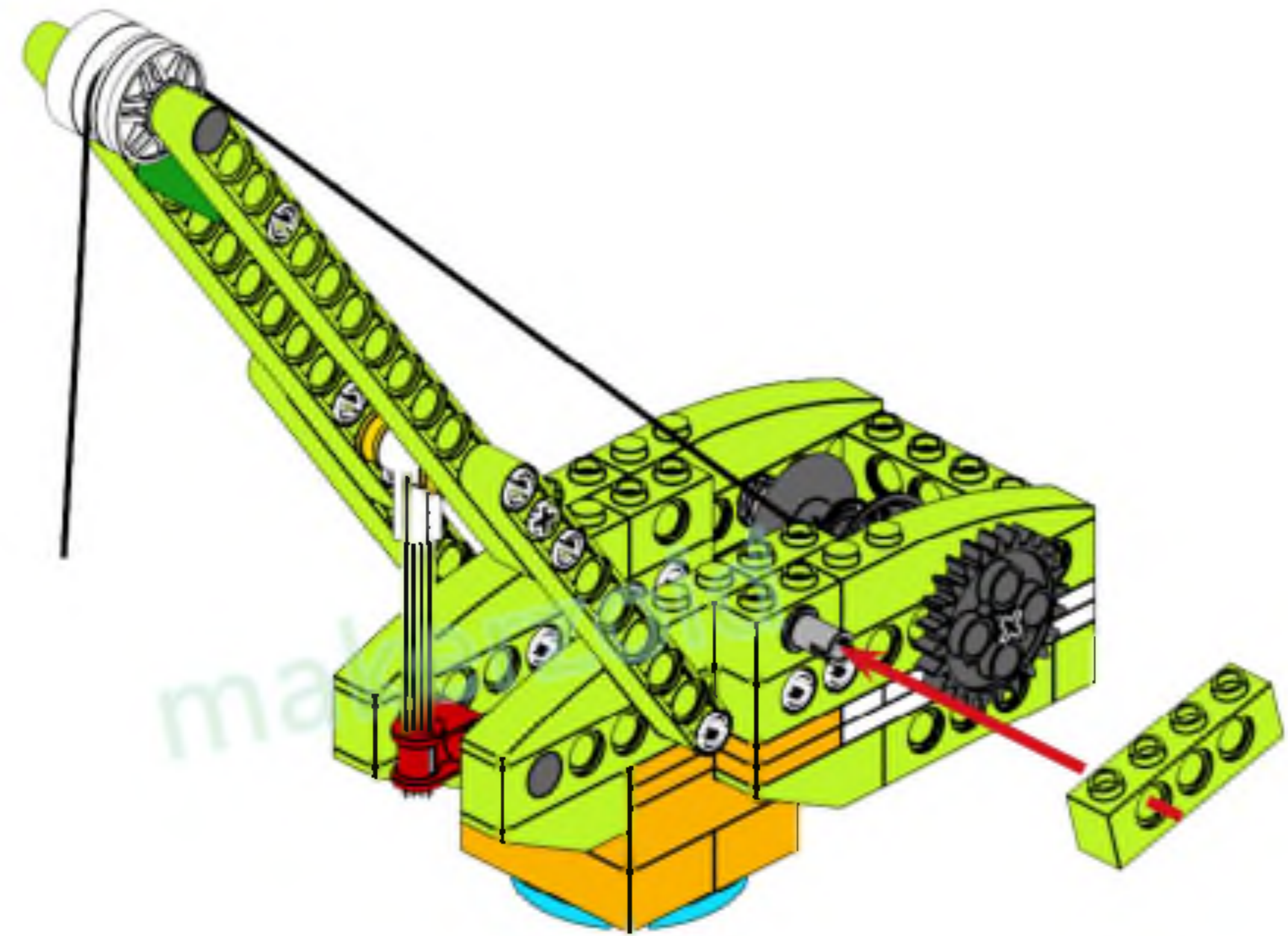
makeroid







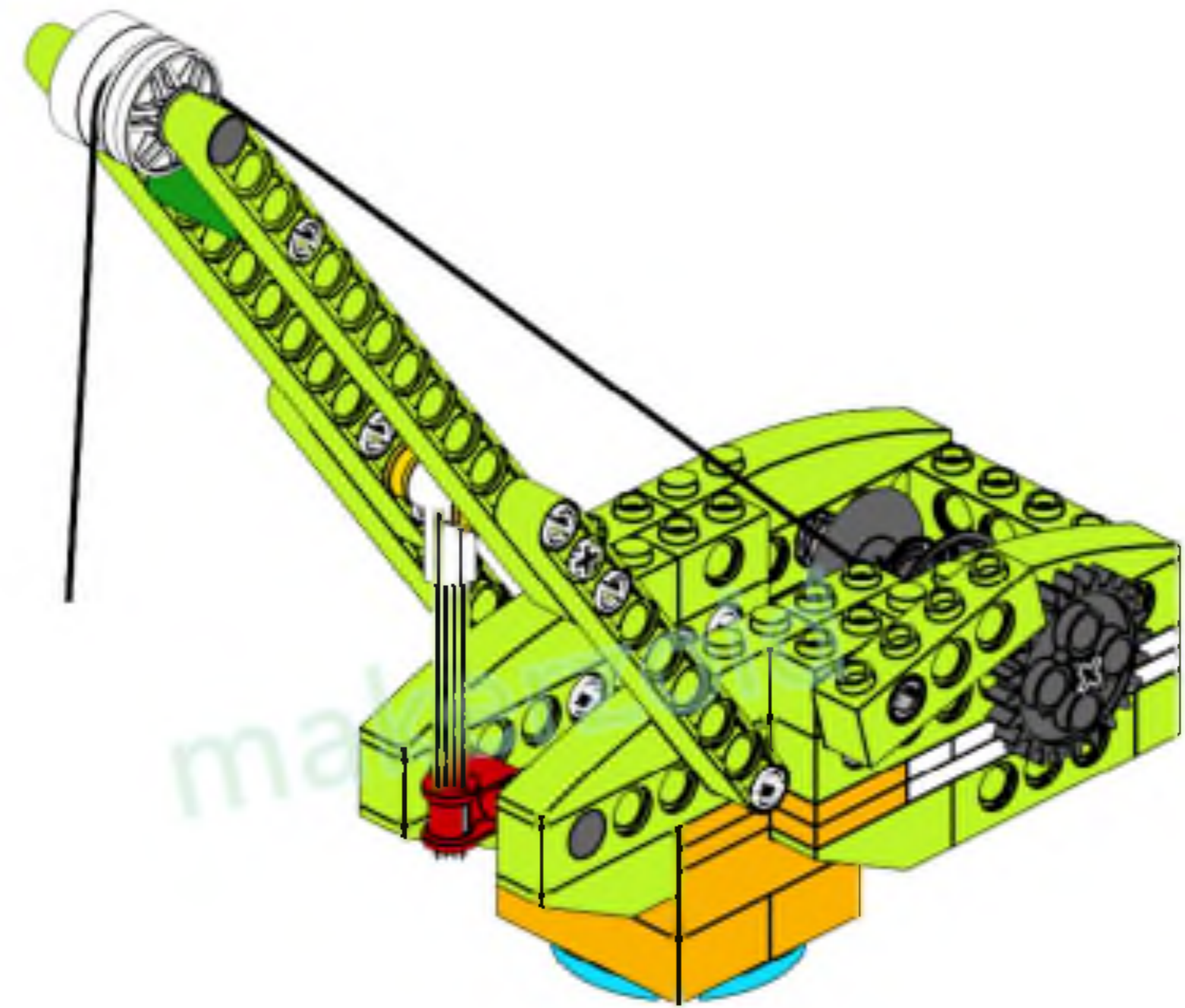


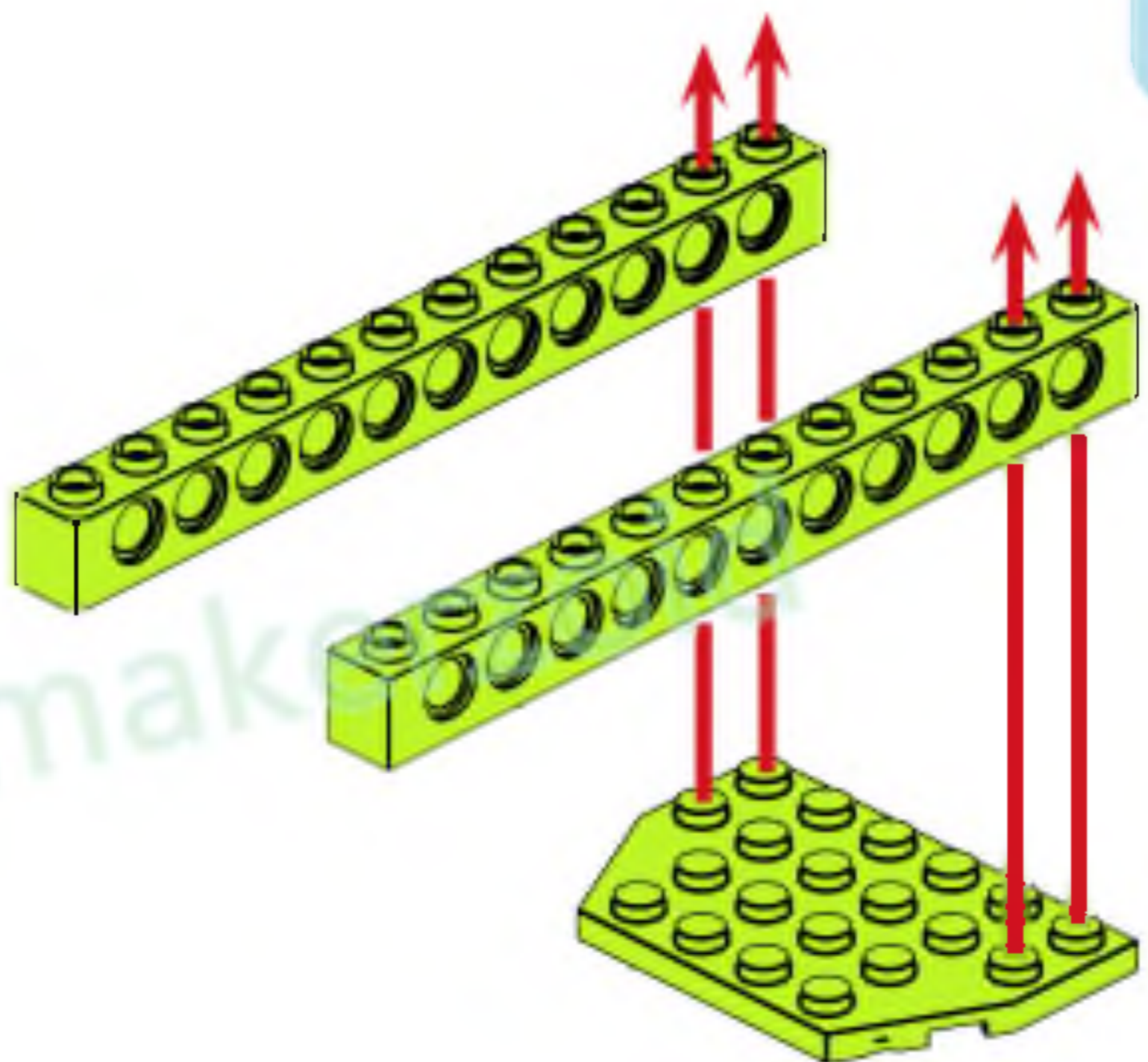


4



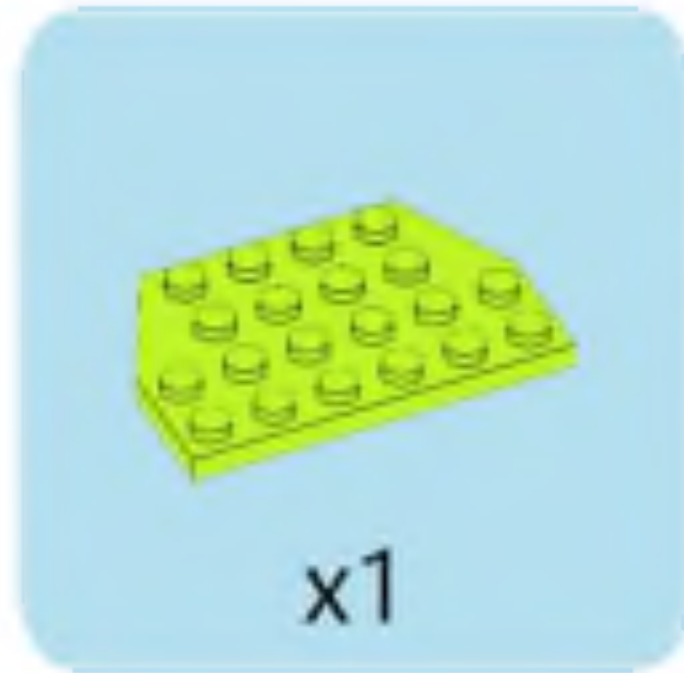
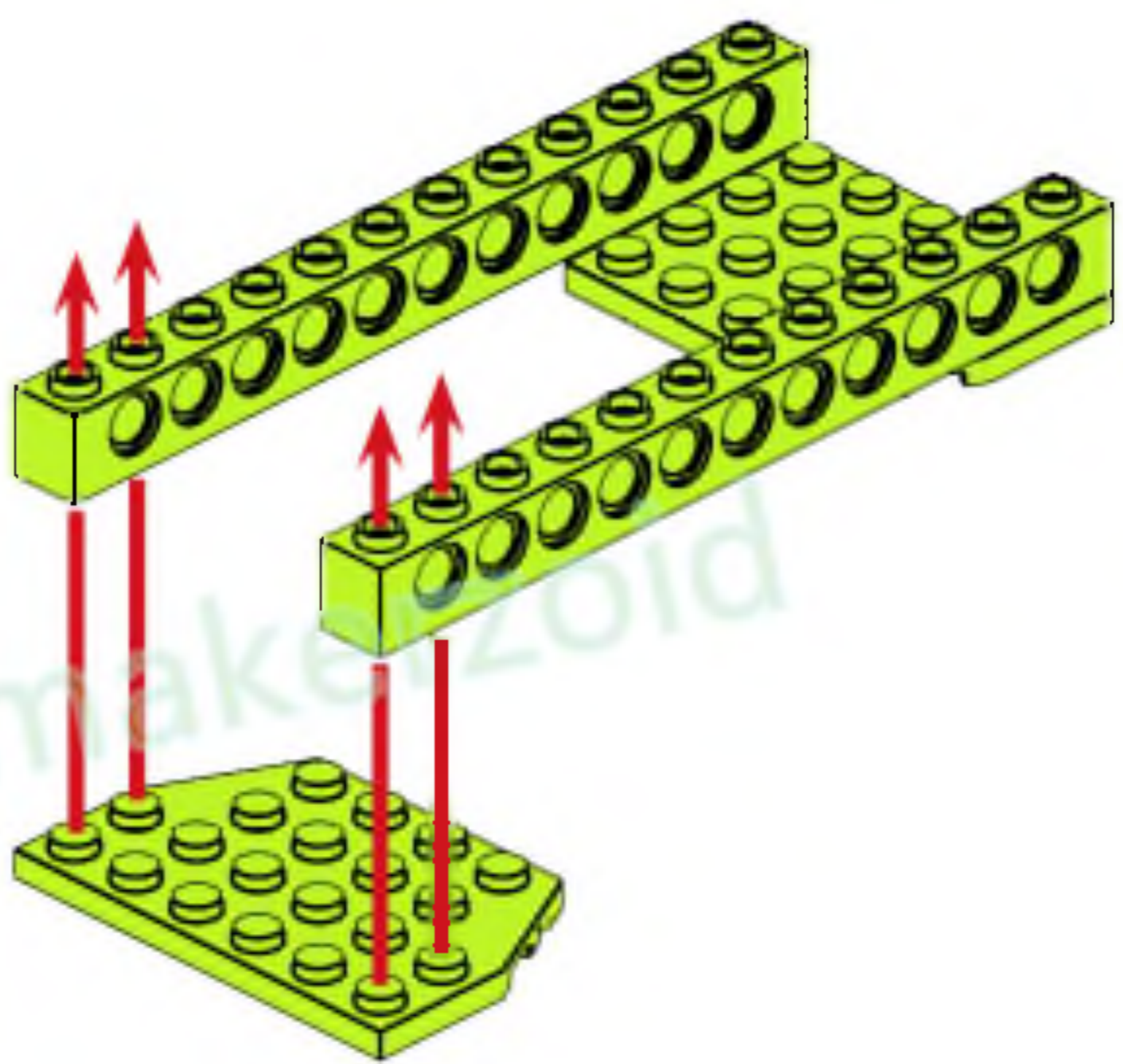
x1

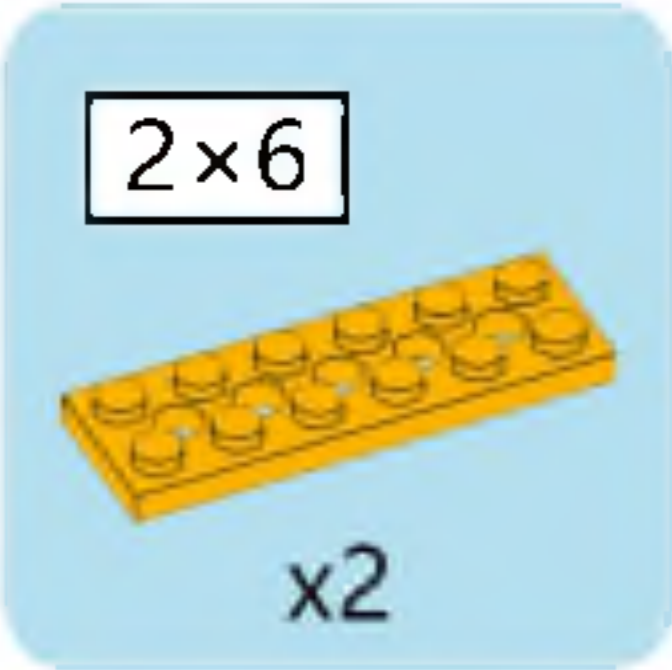
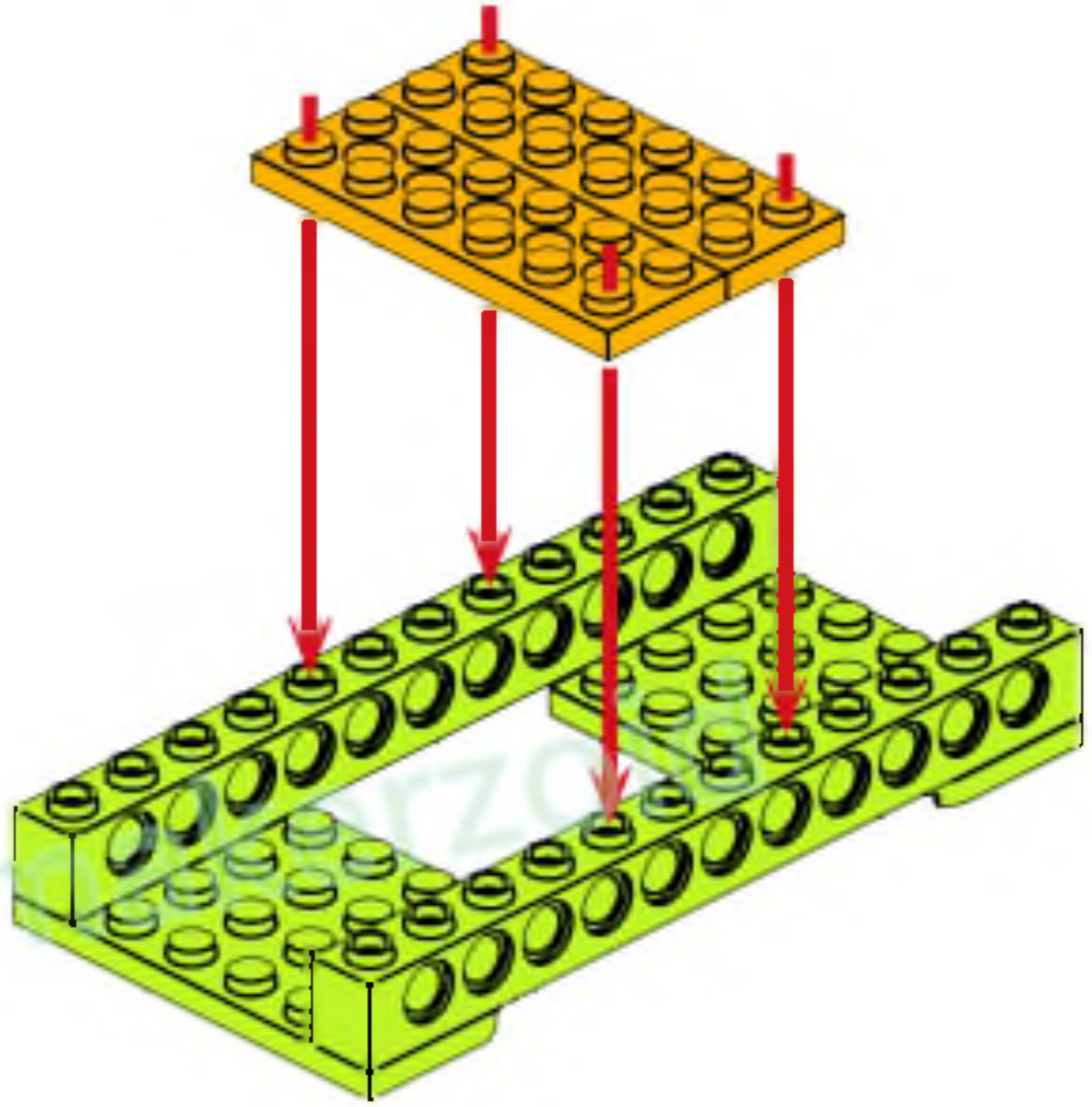


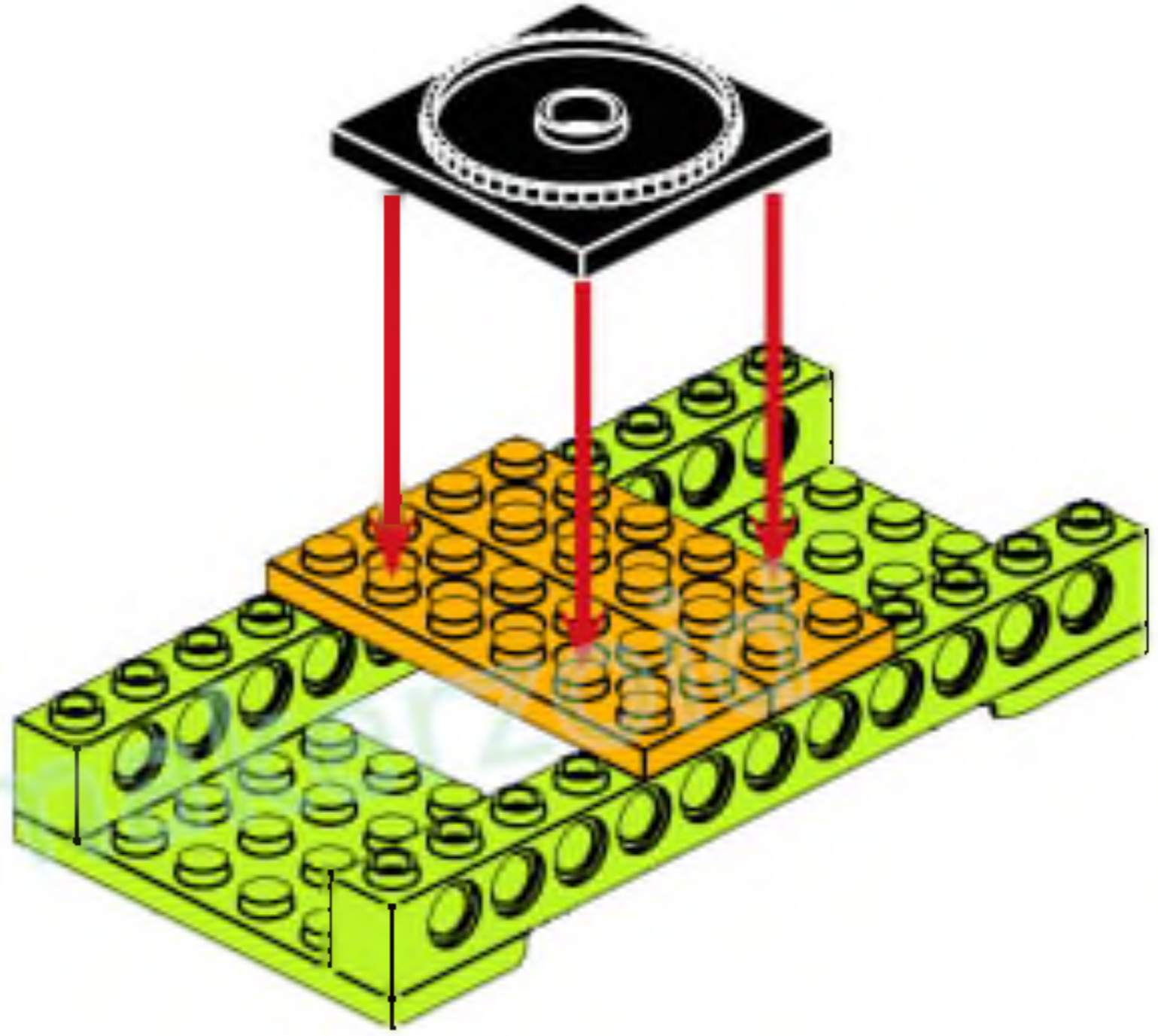


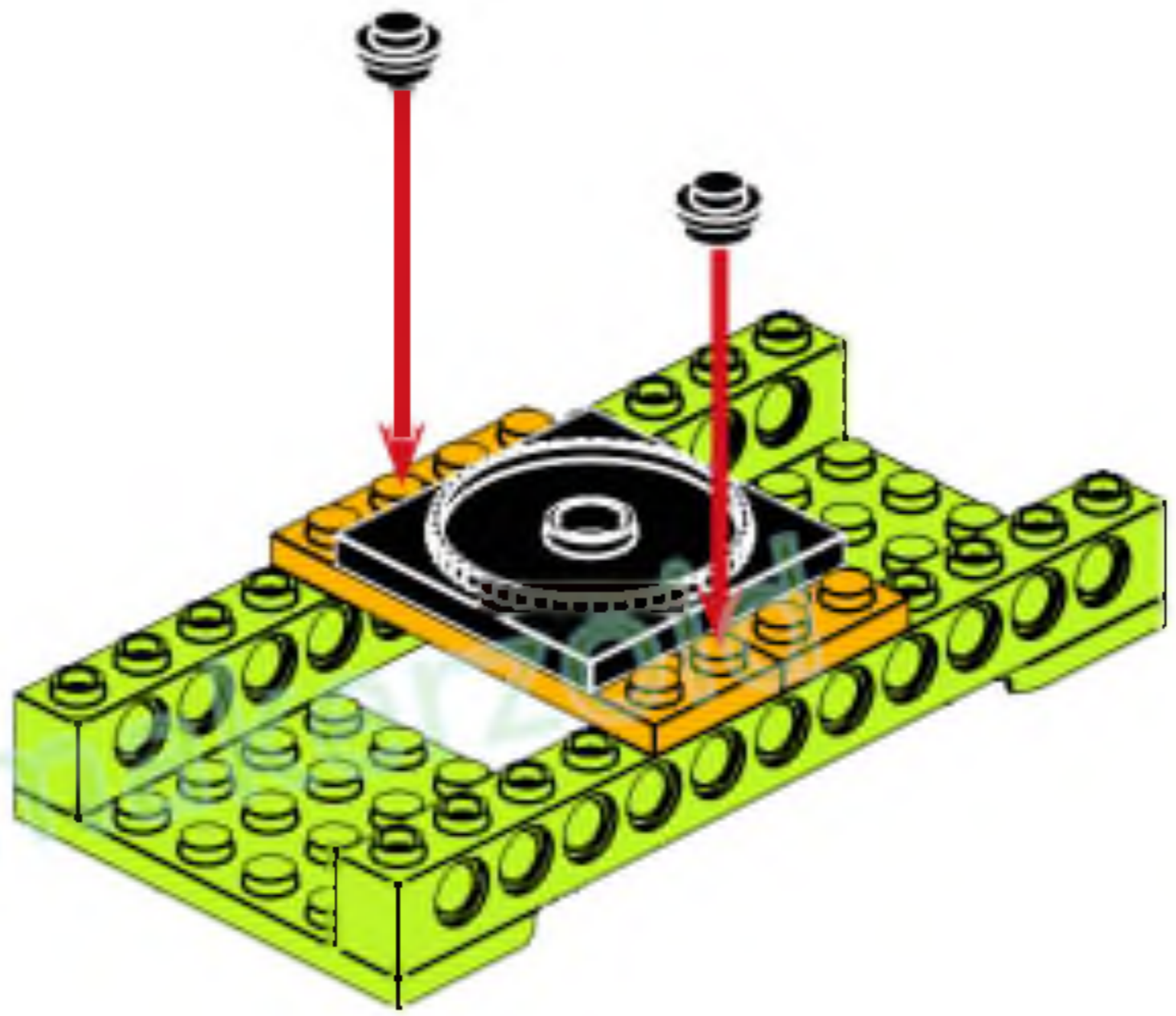
12

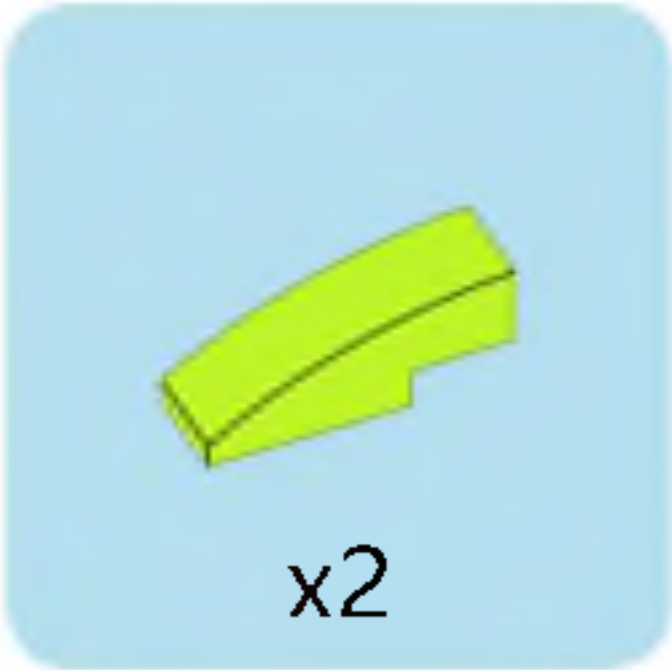
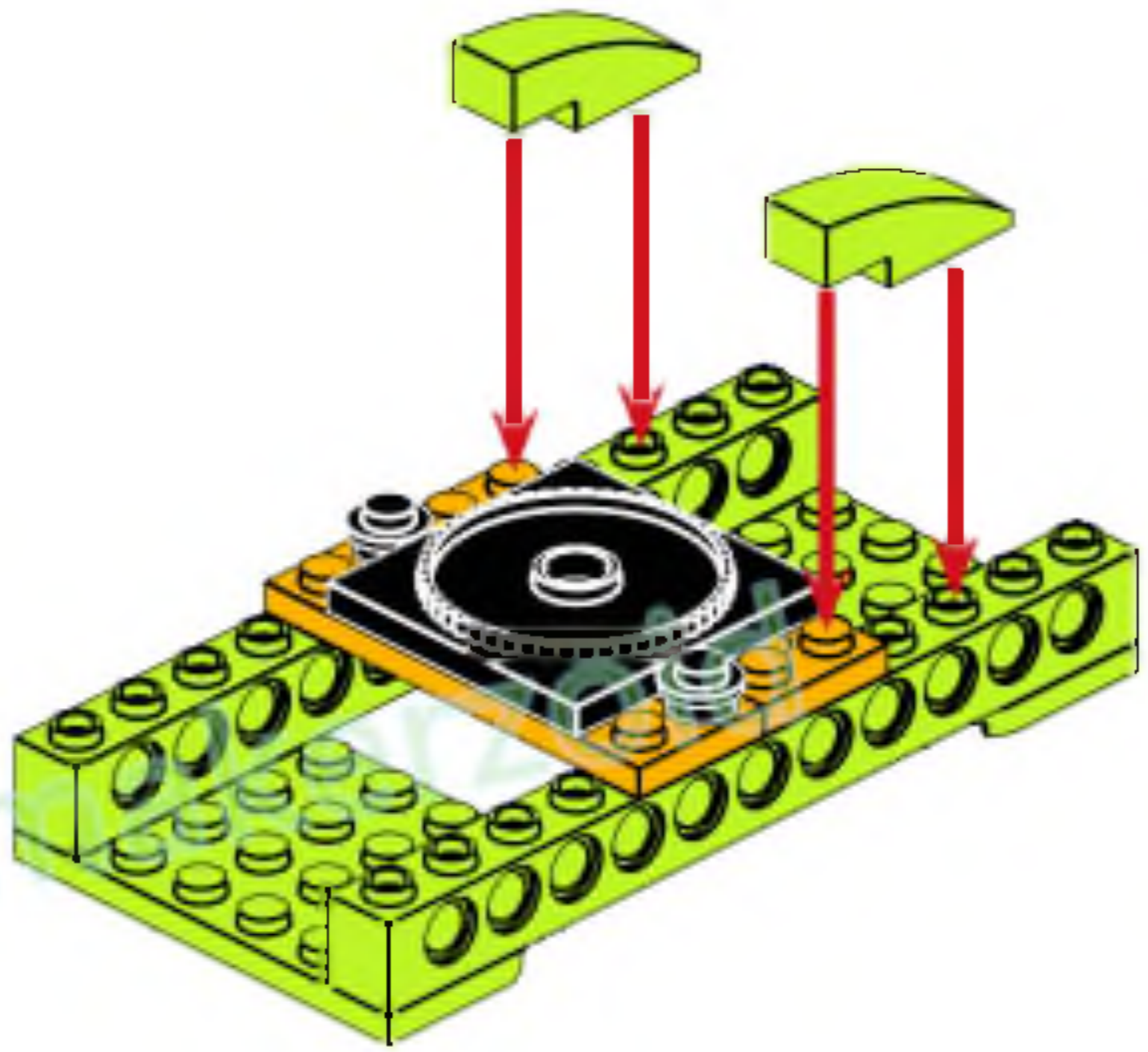
x2      x1



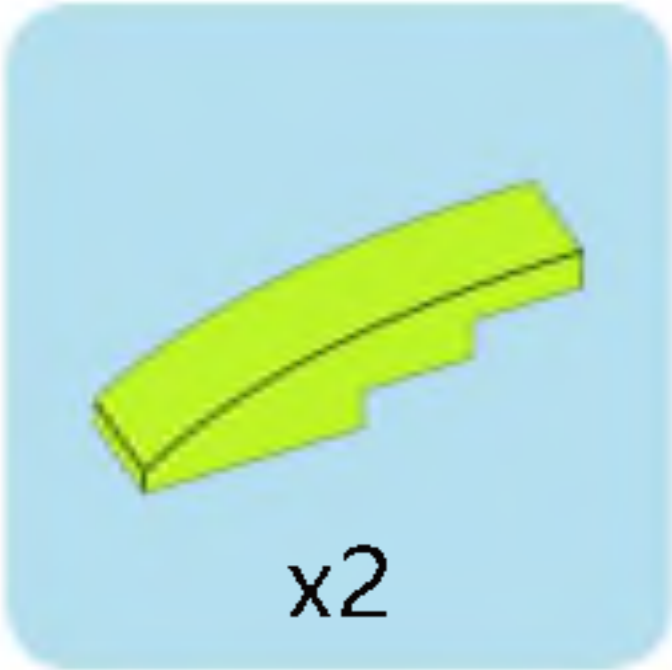
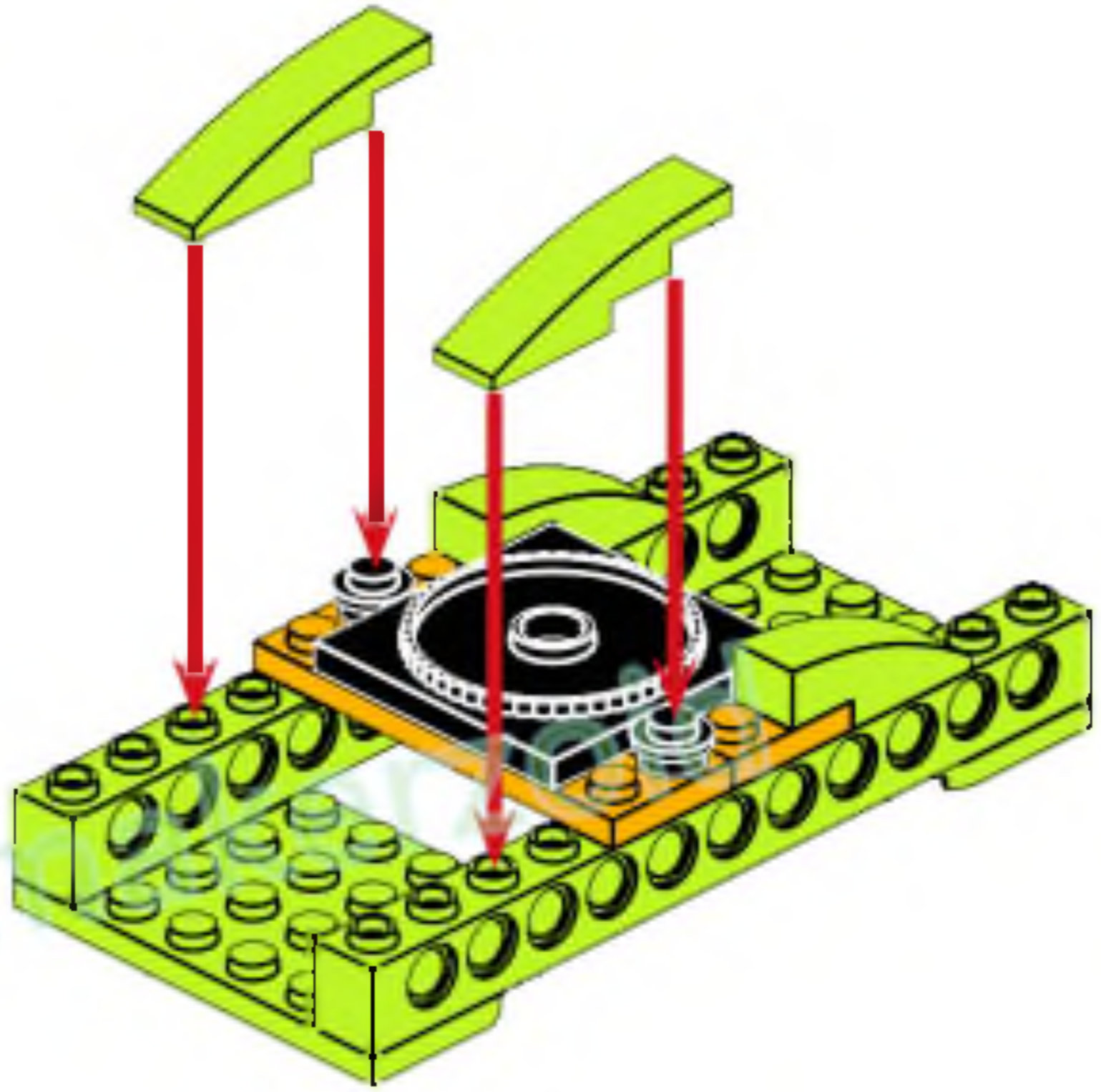


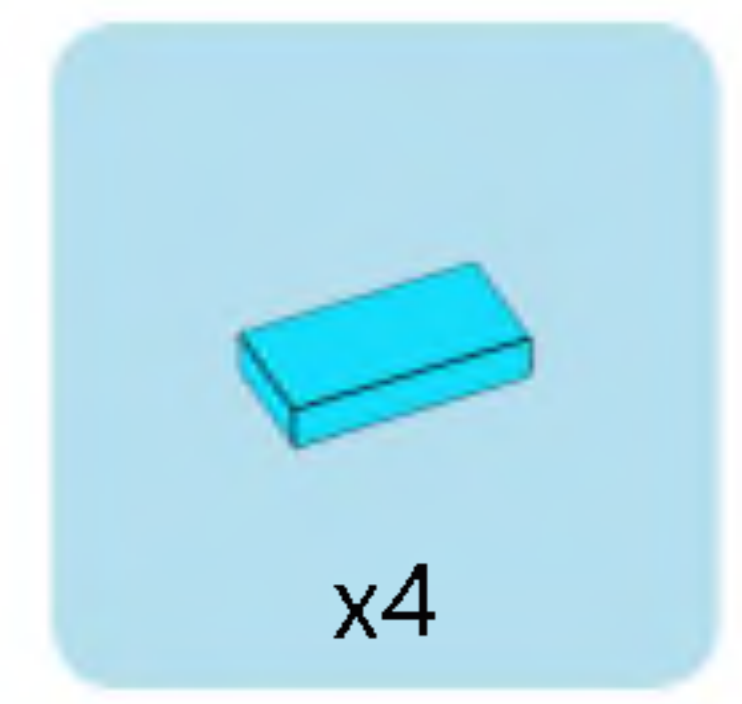
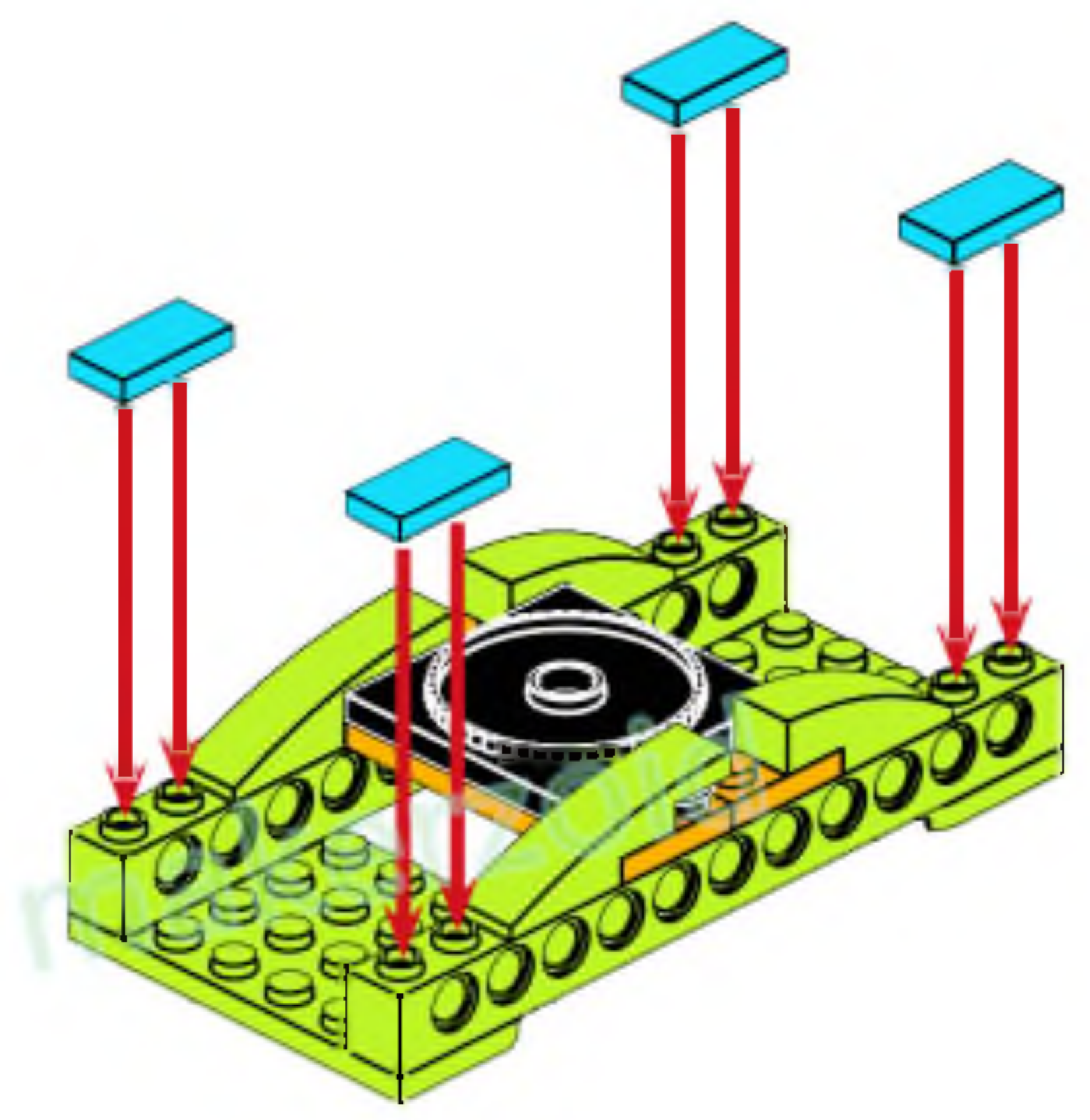


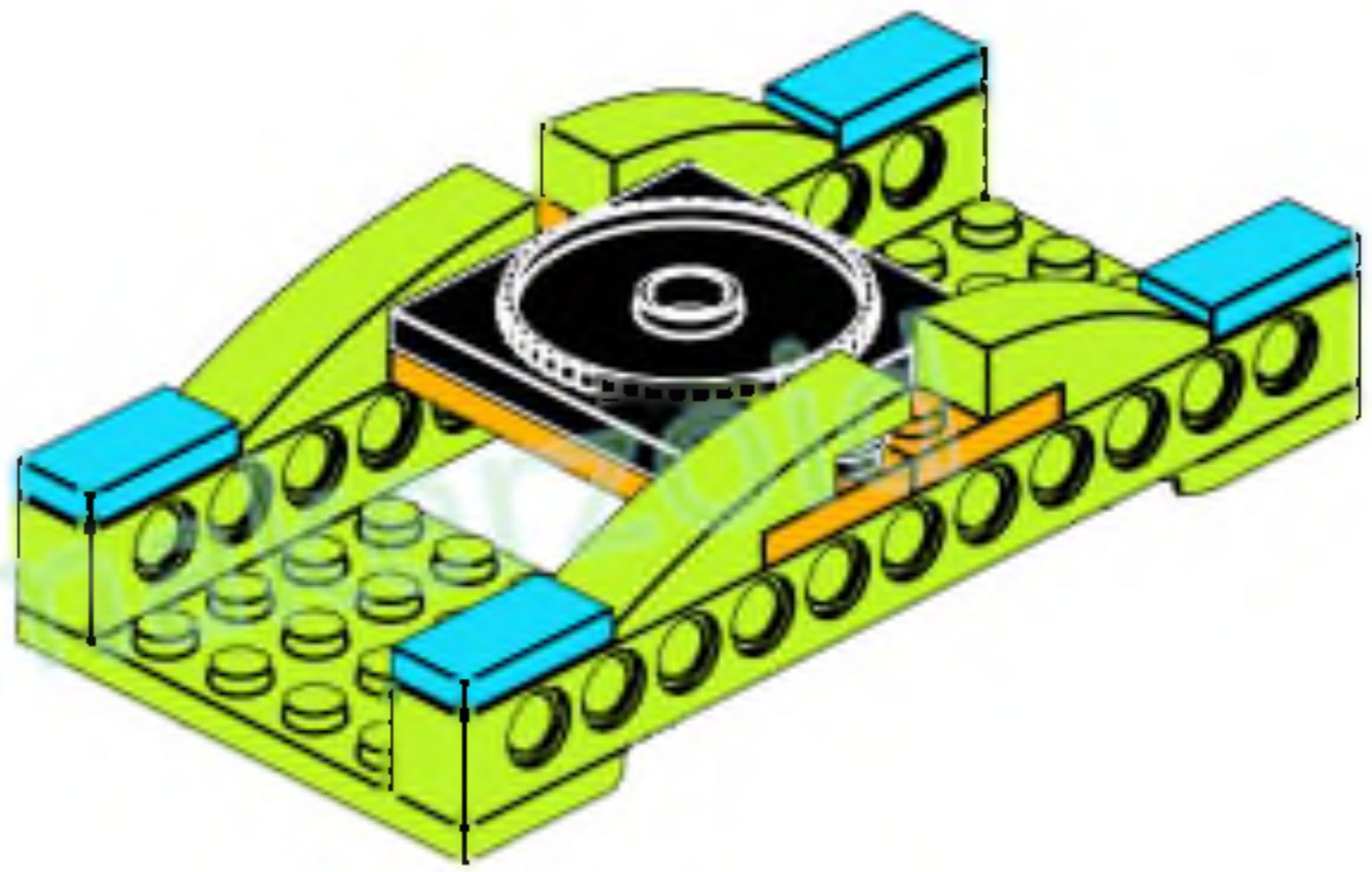


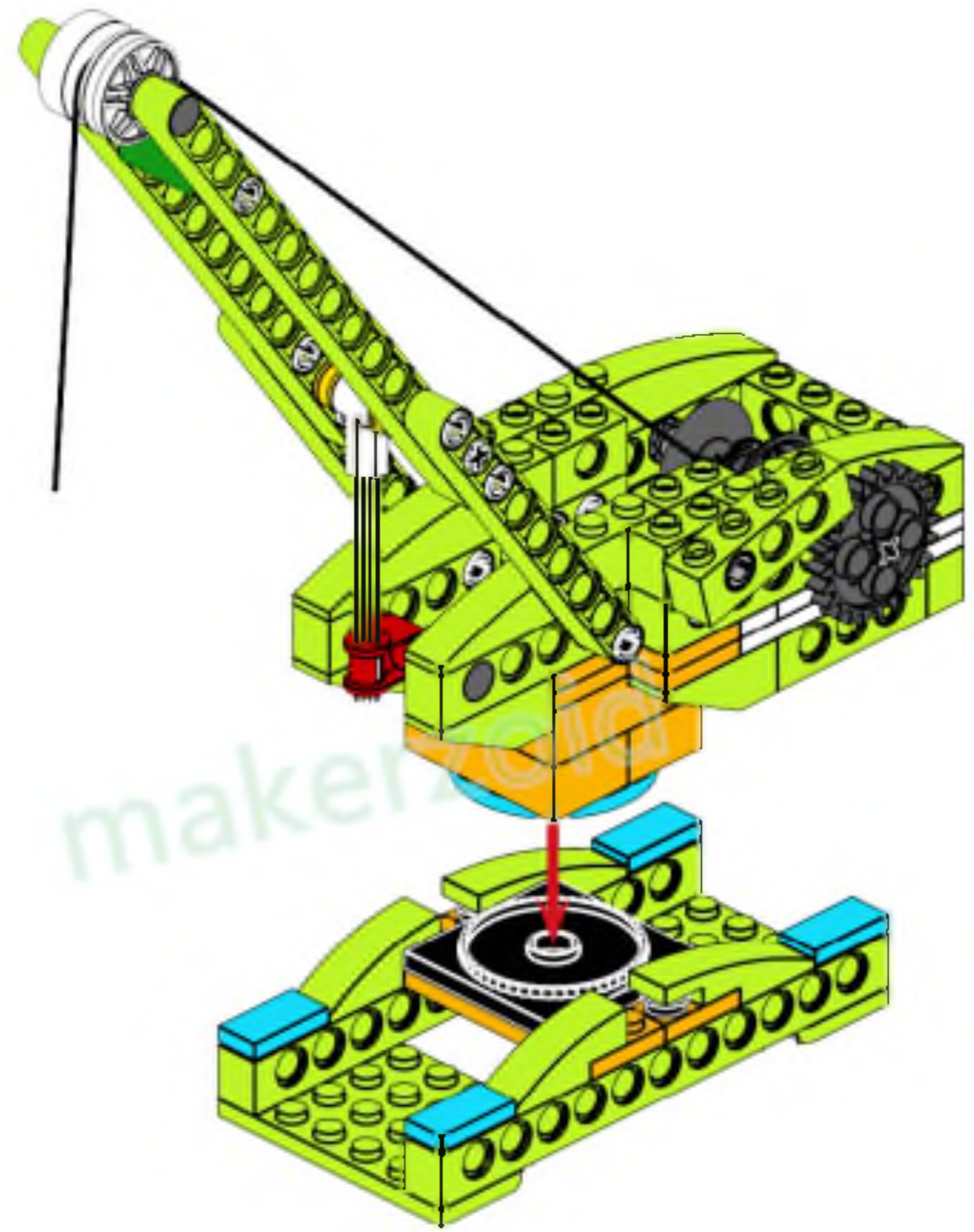


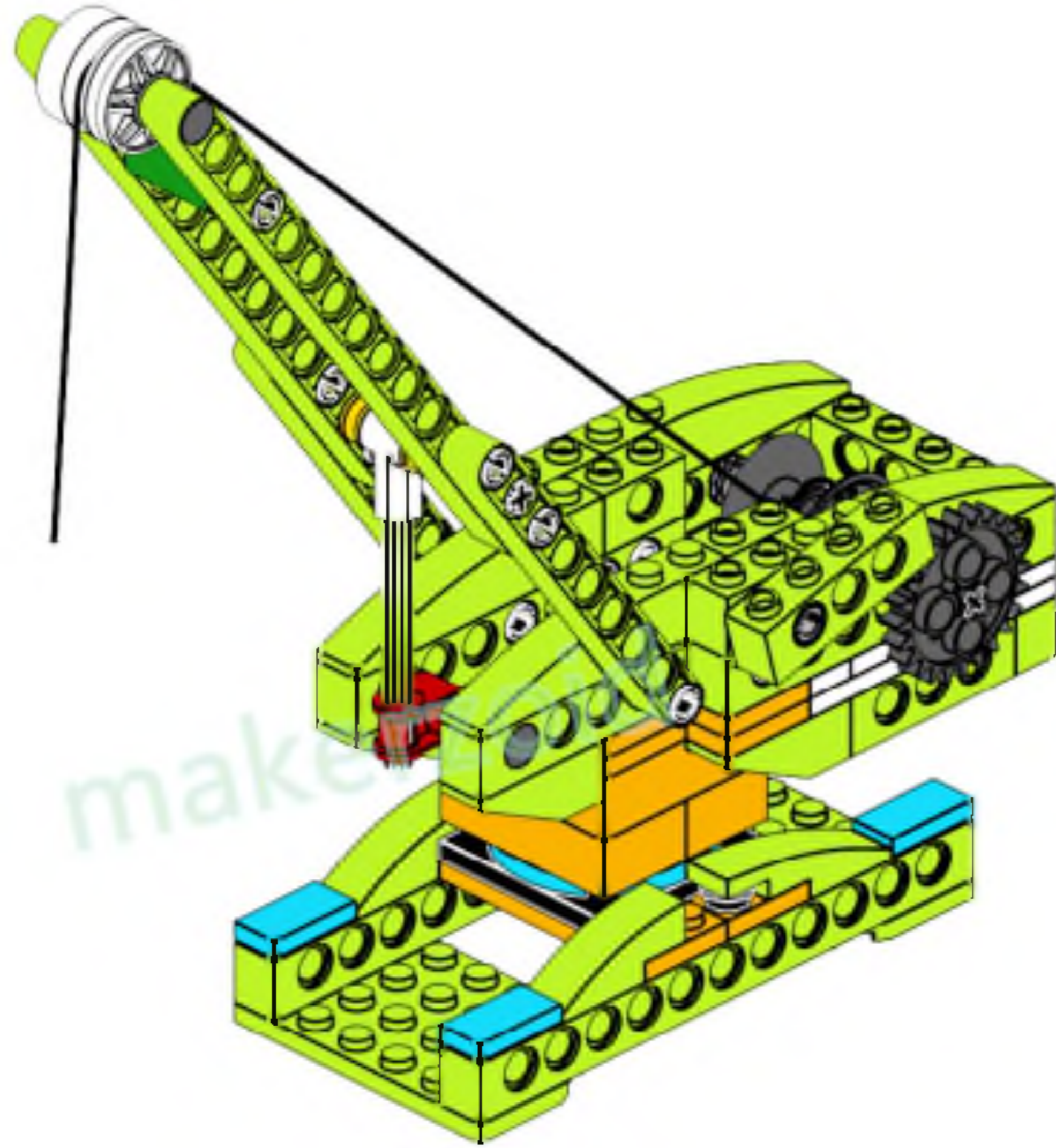


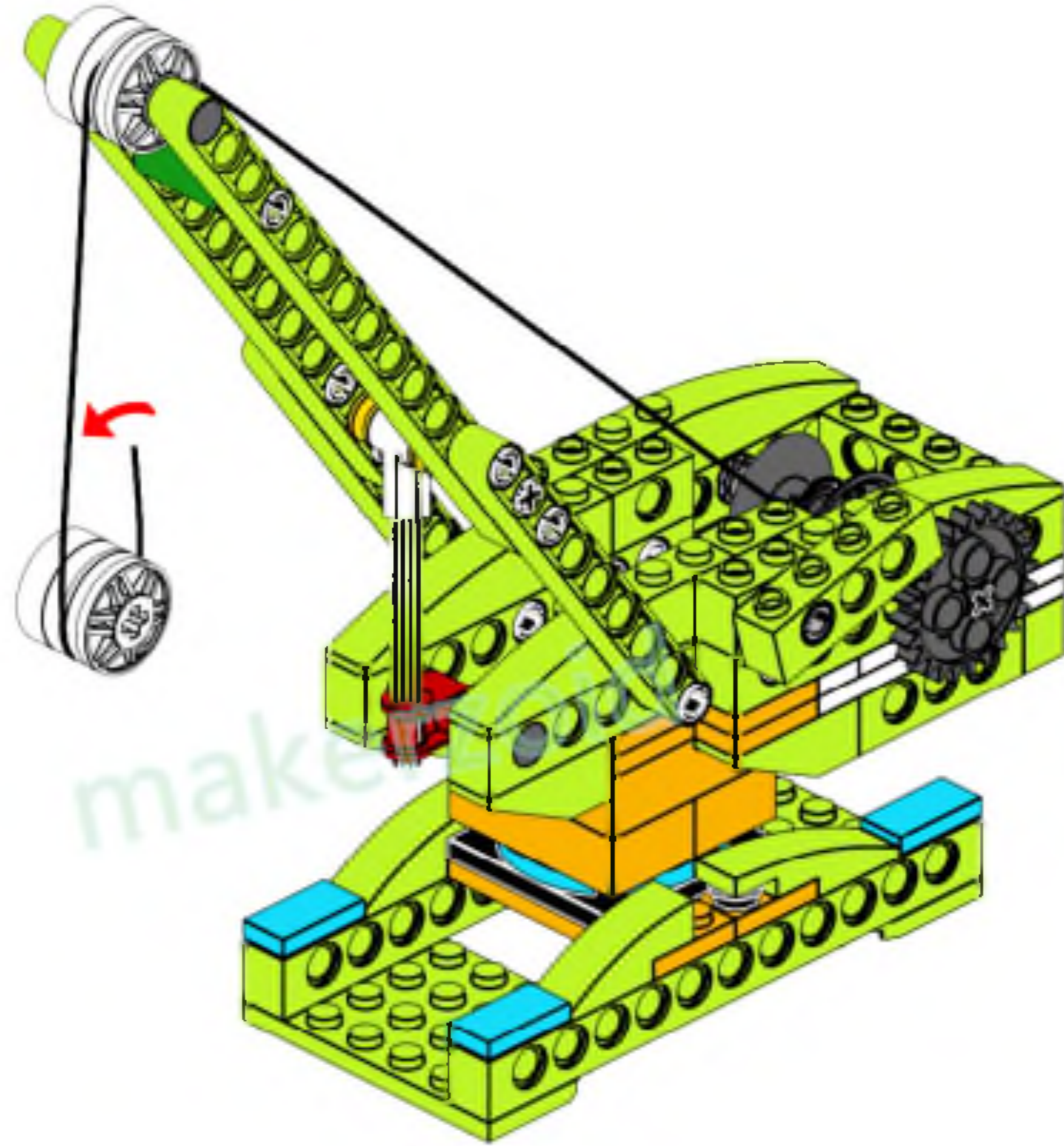




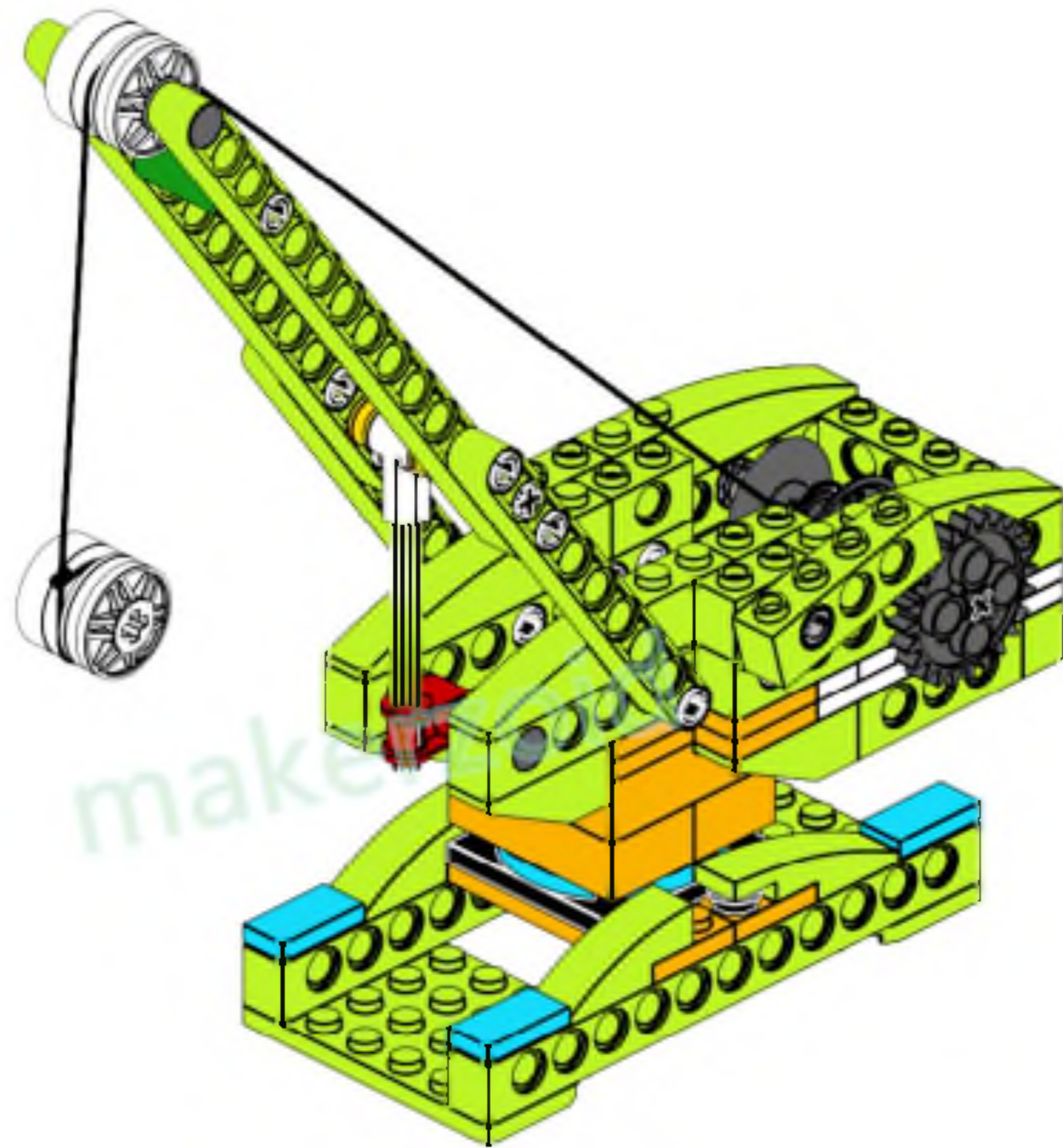


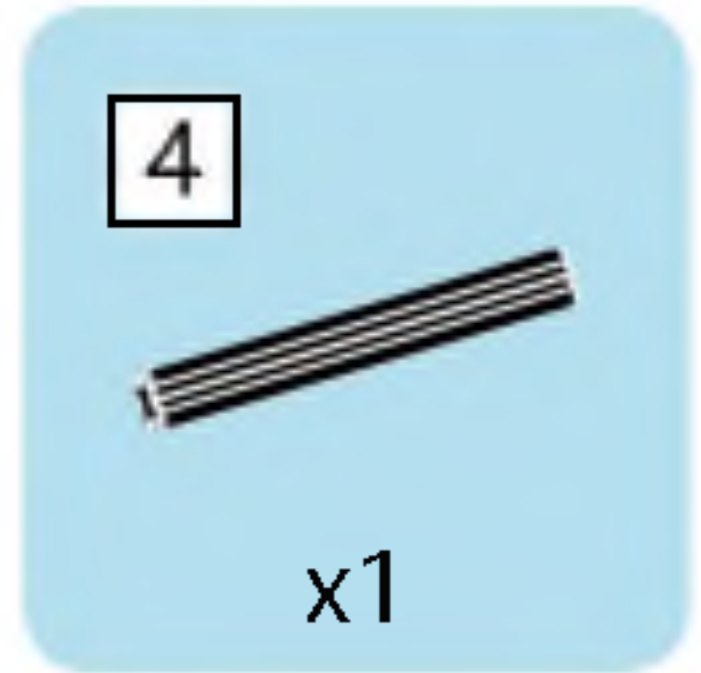
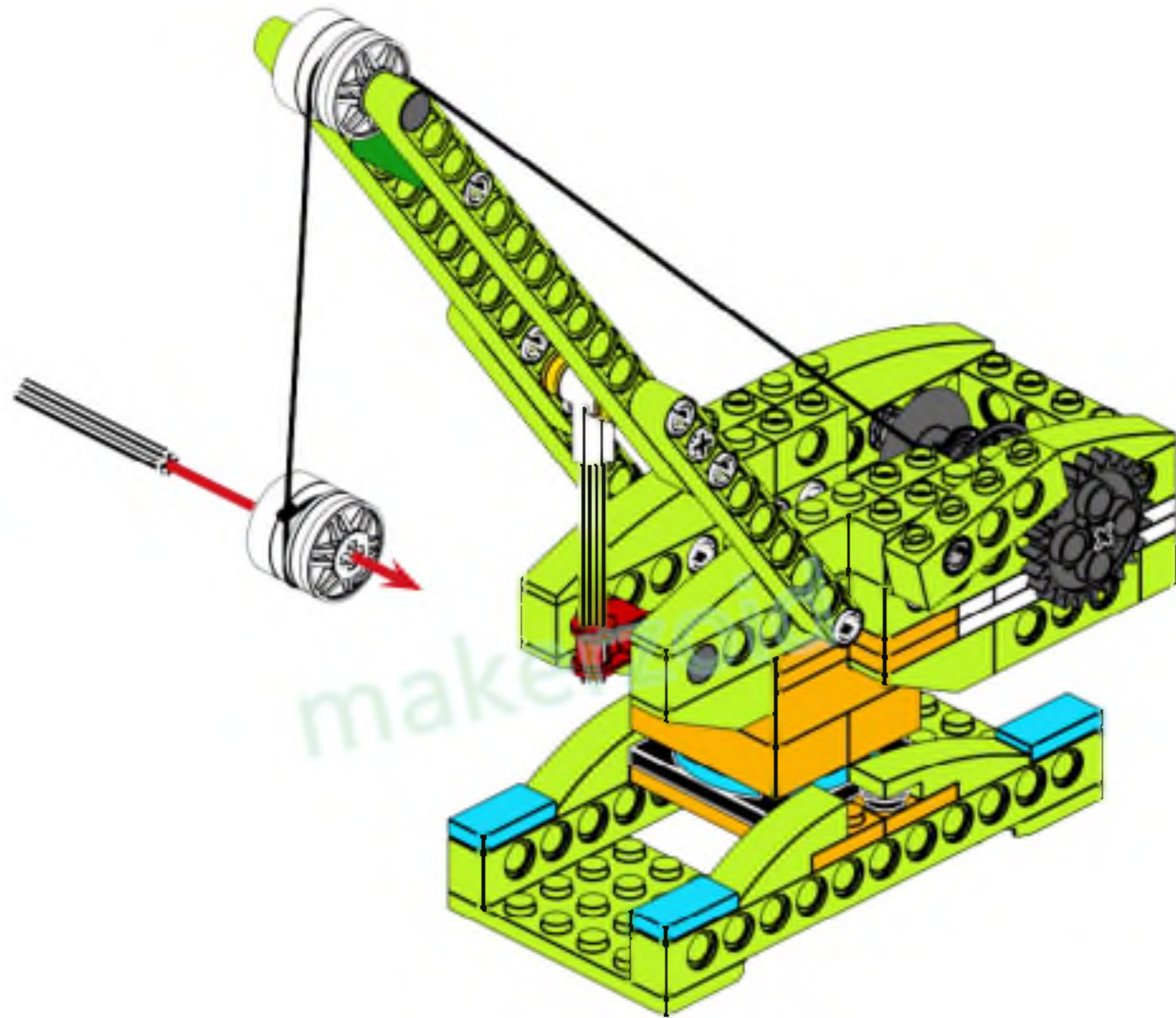




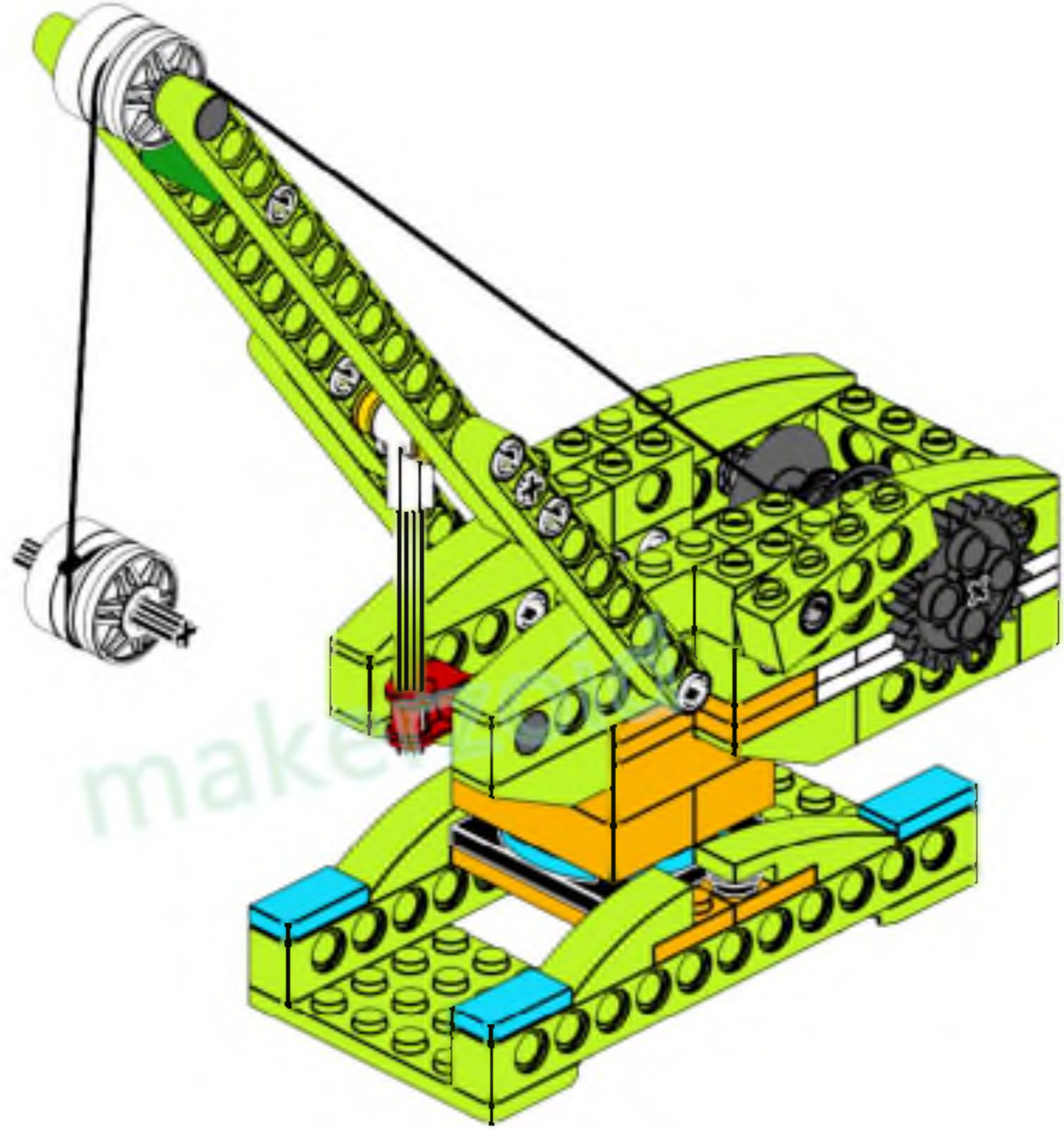


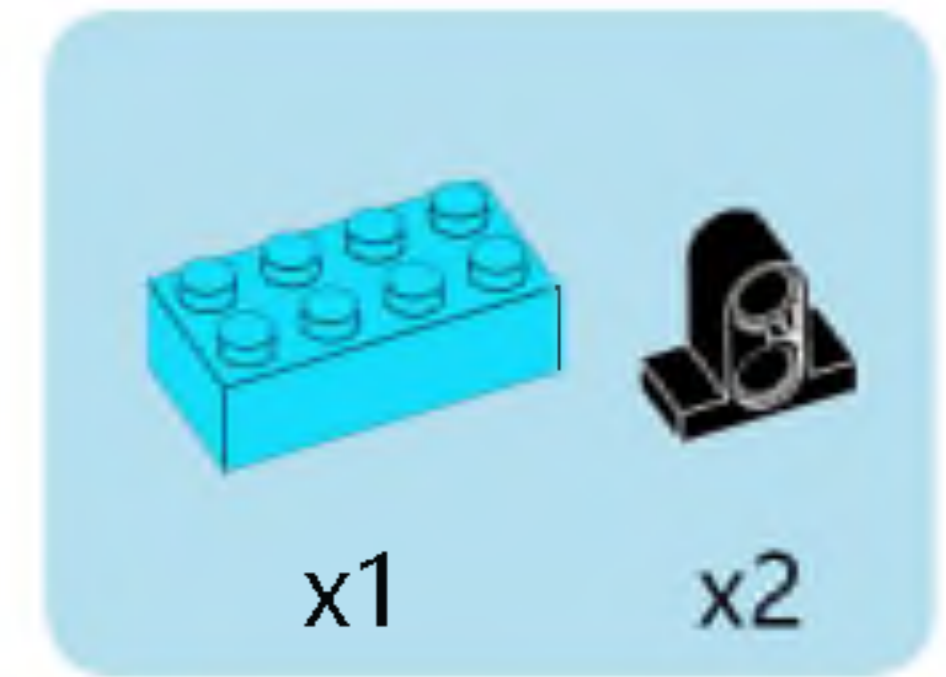
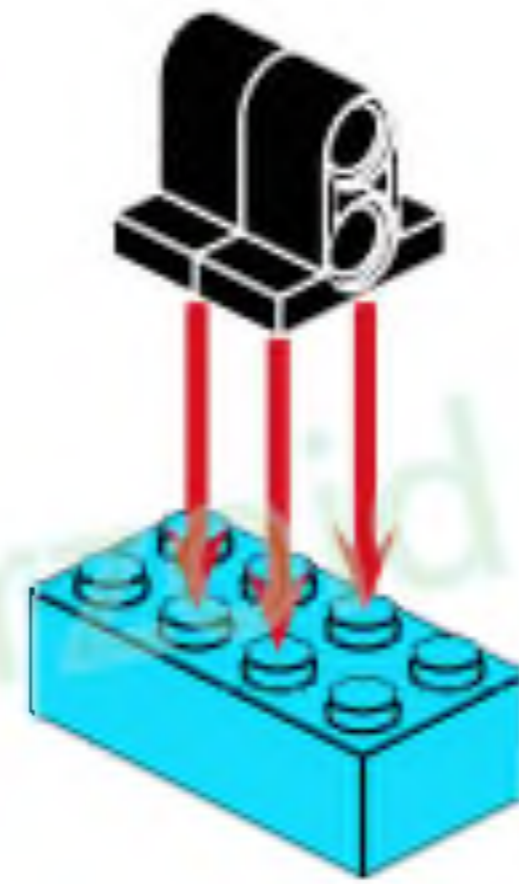
x1

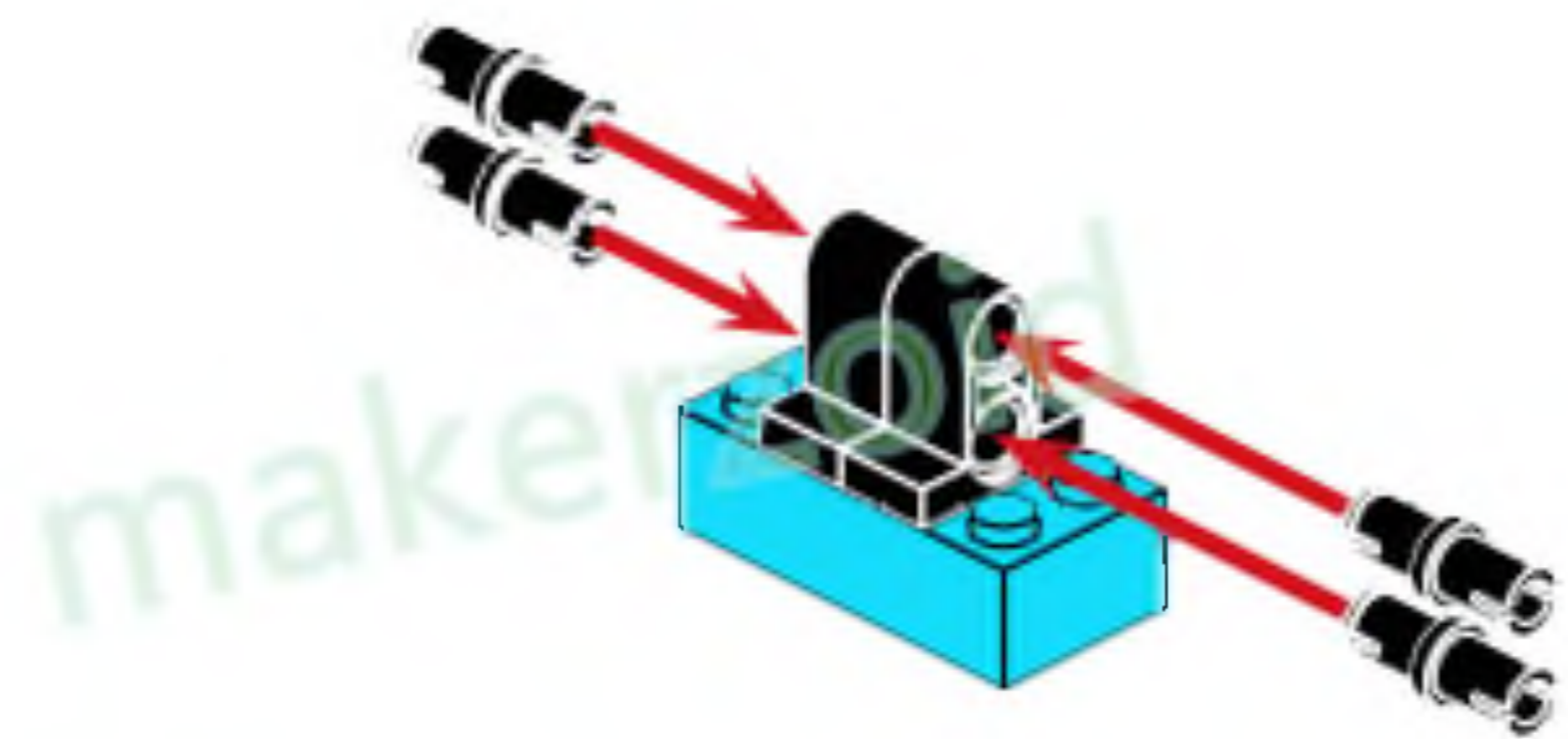


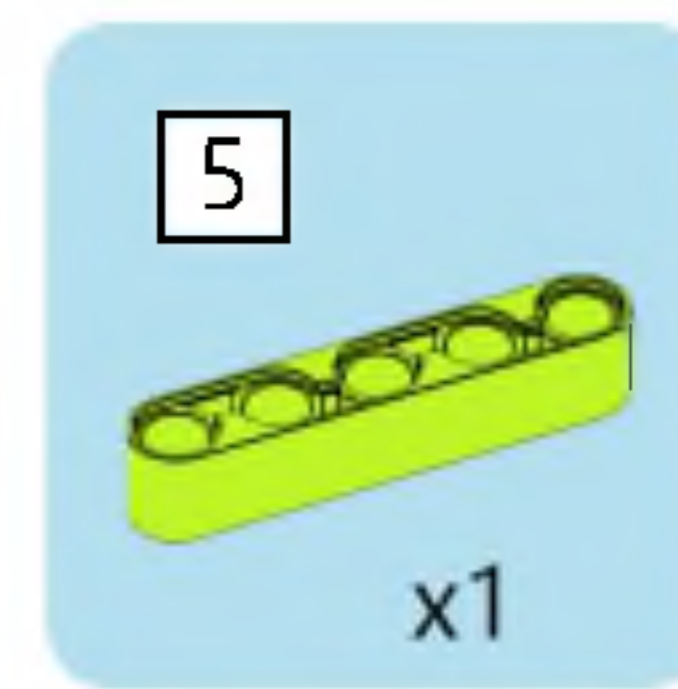
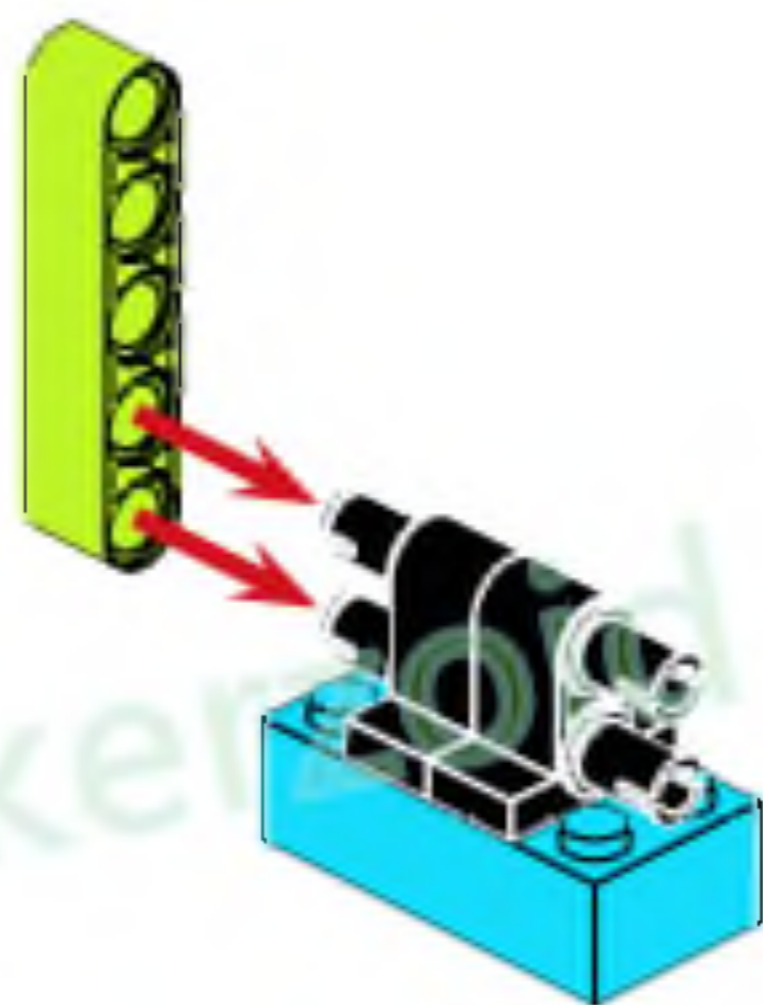














makerfood

