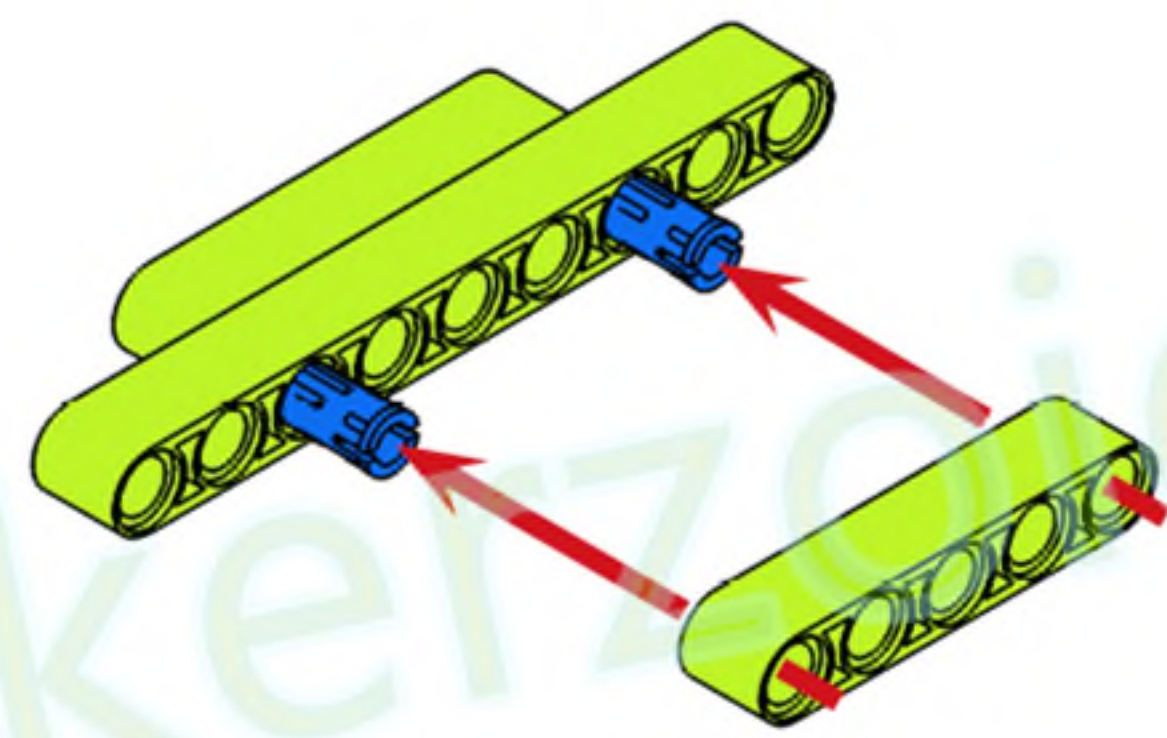
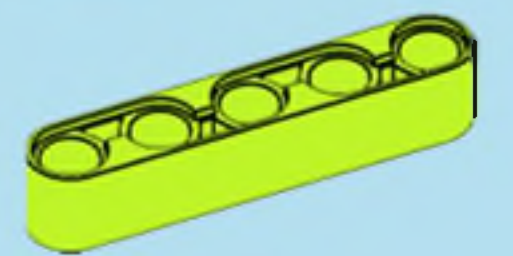


makeyworld

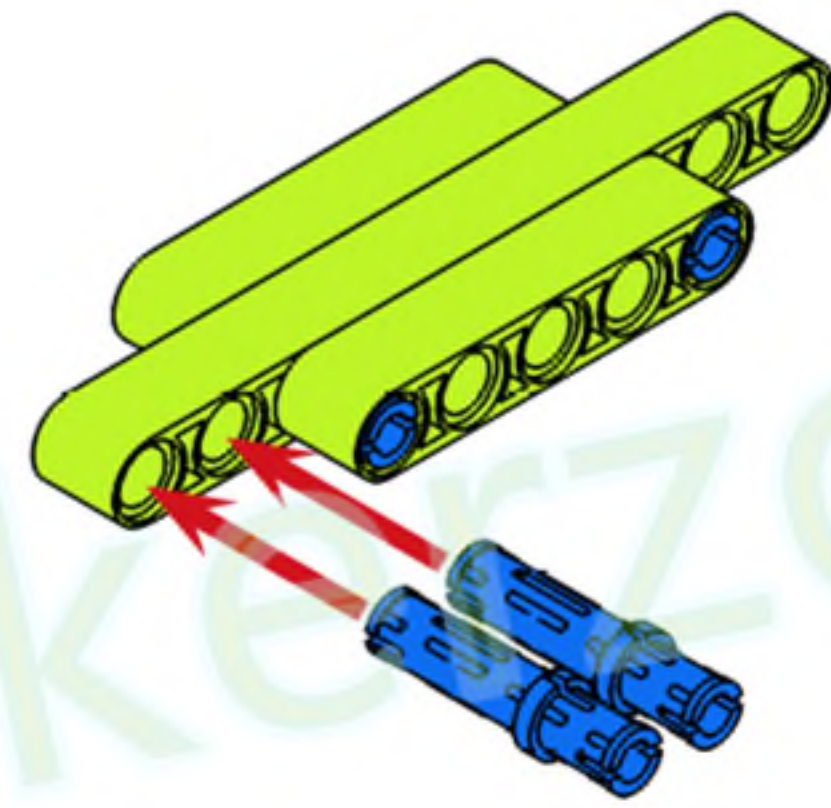
makerzoid



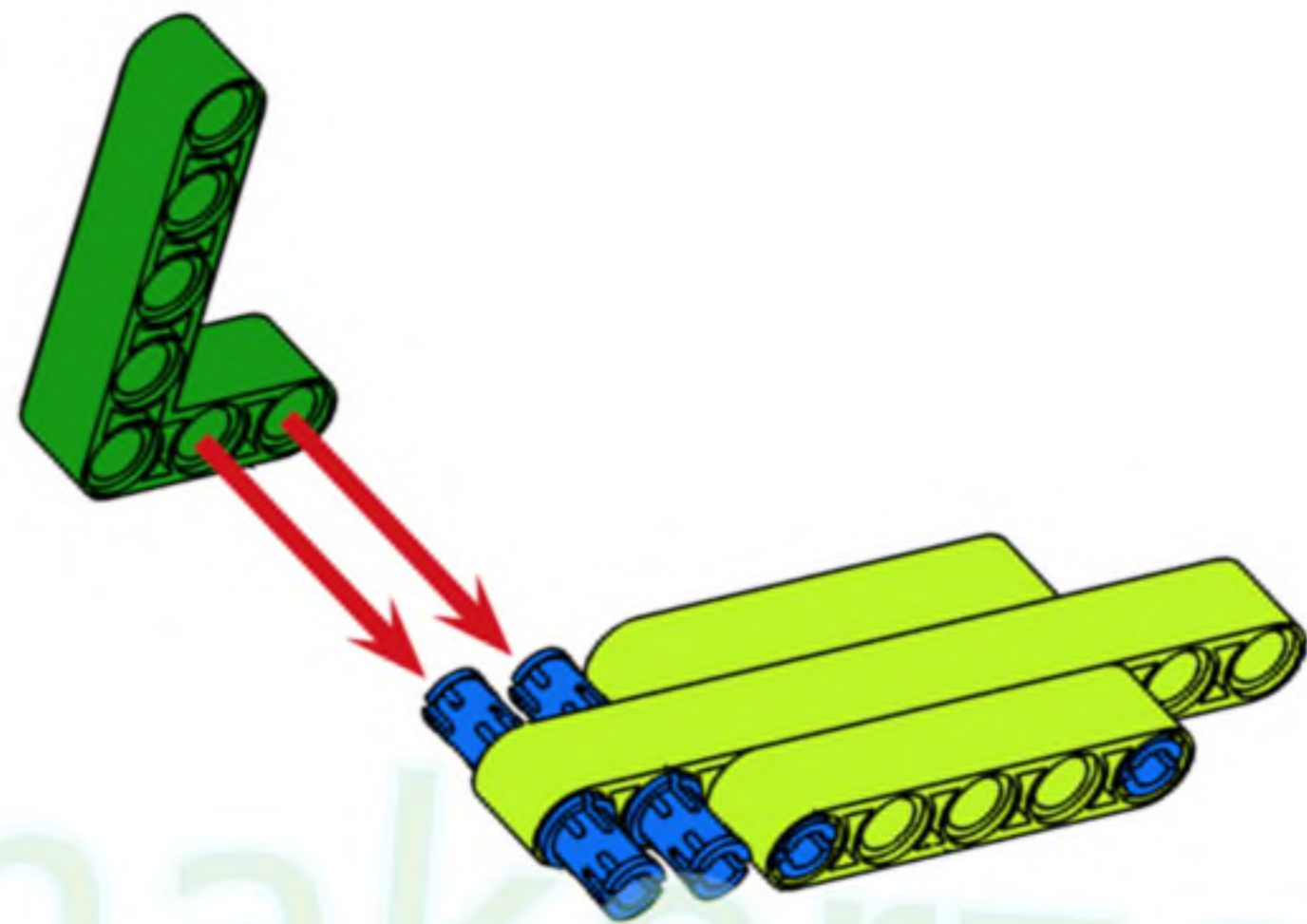
5



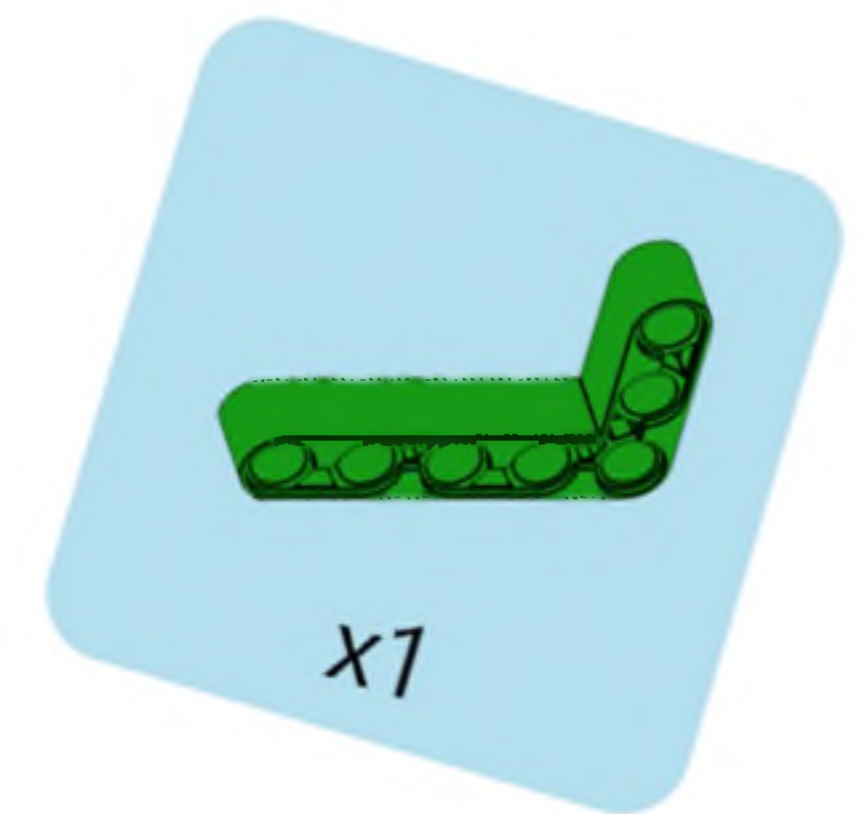
x1

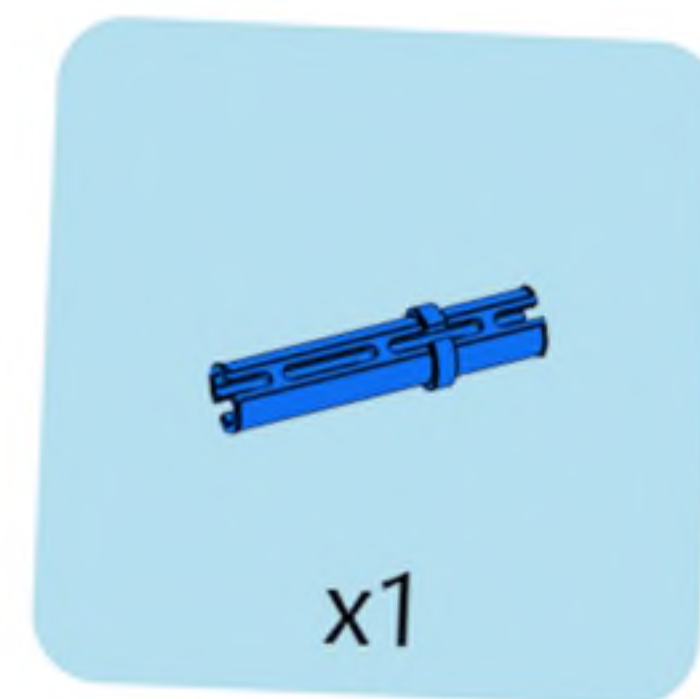
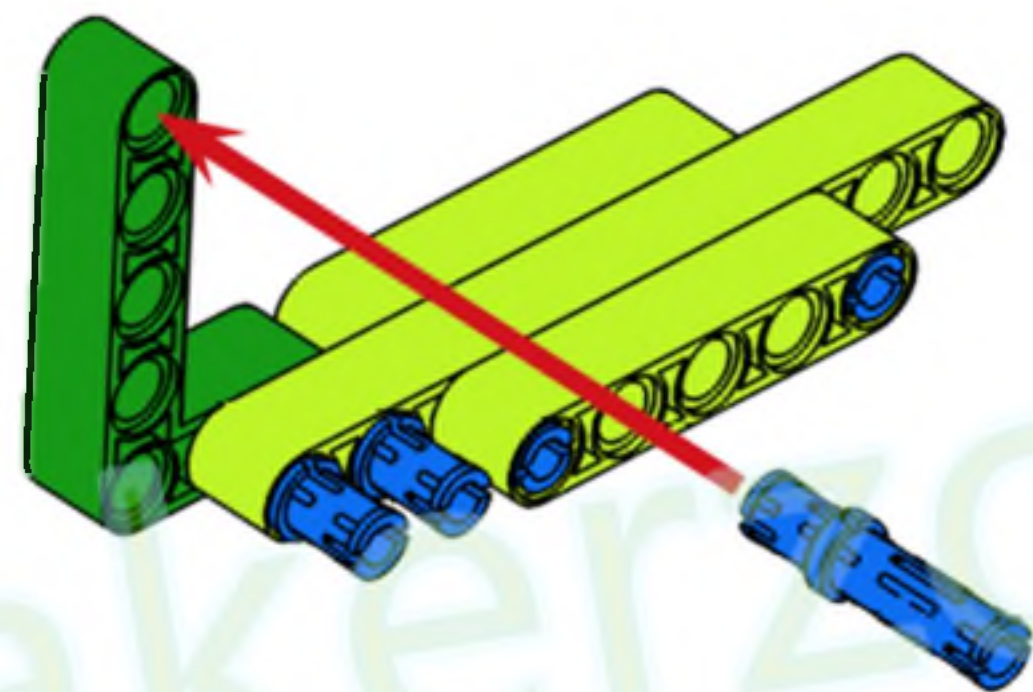


makerzoid



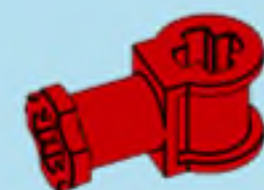
makerzoid







x1

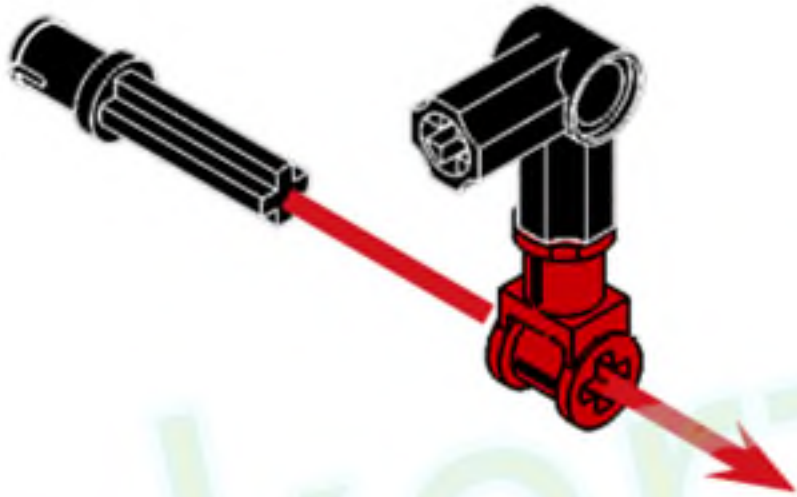
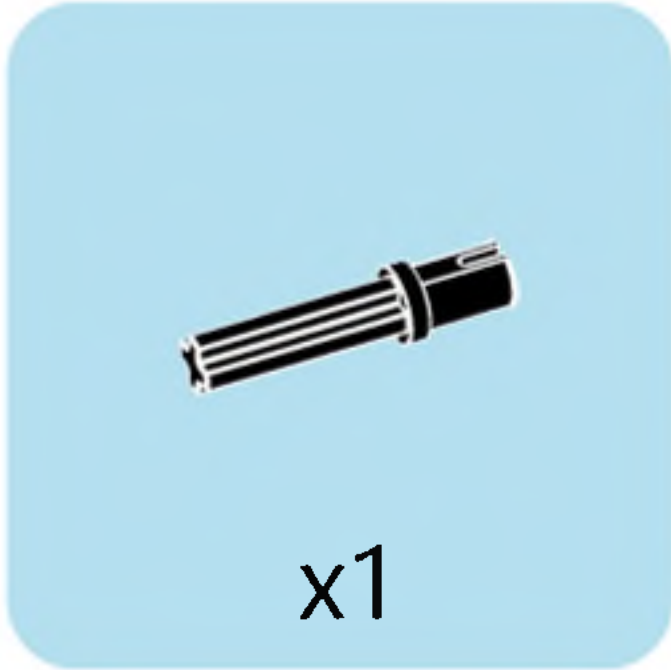


x1

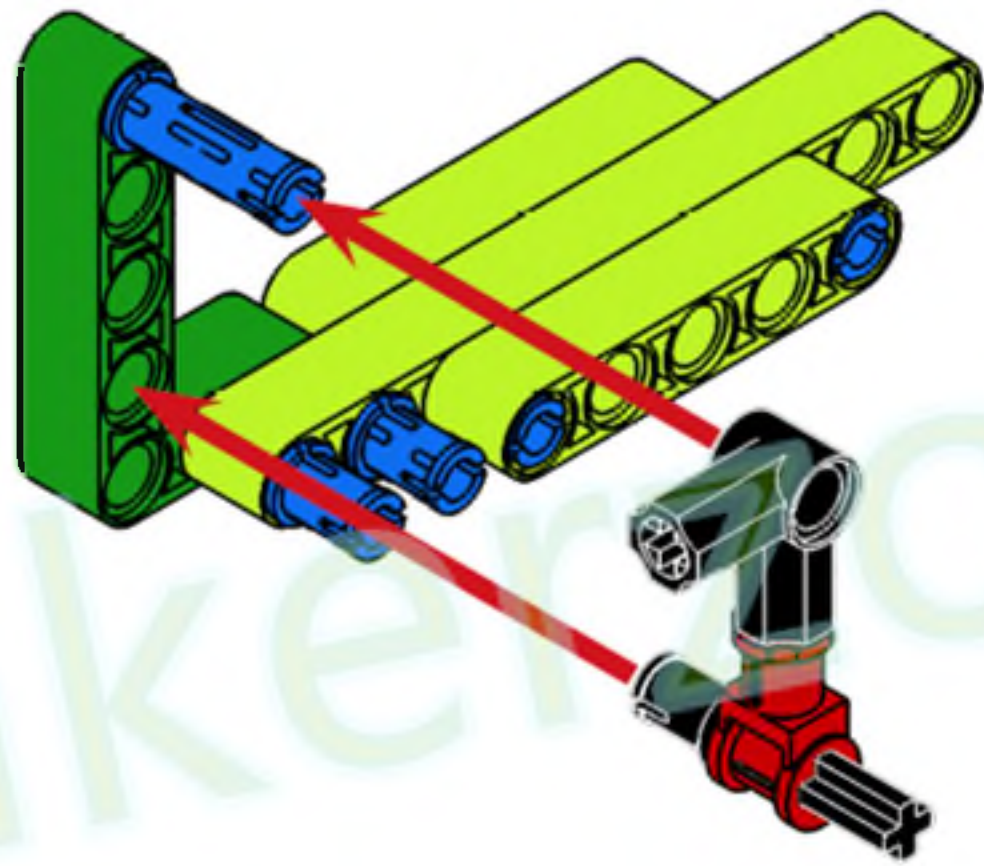


x1

makerzoid

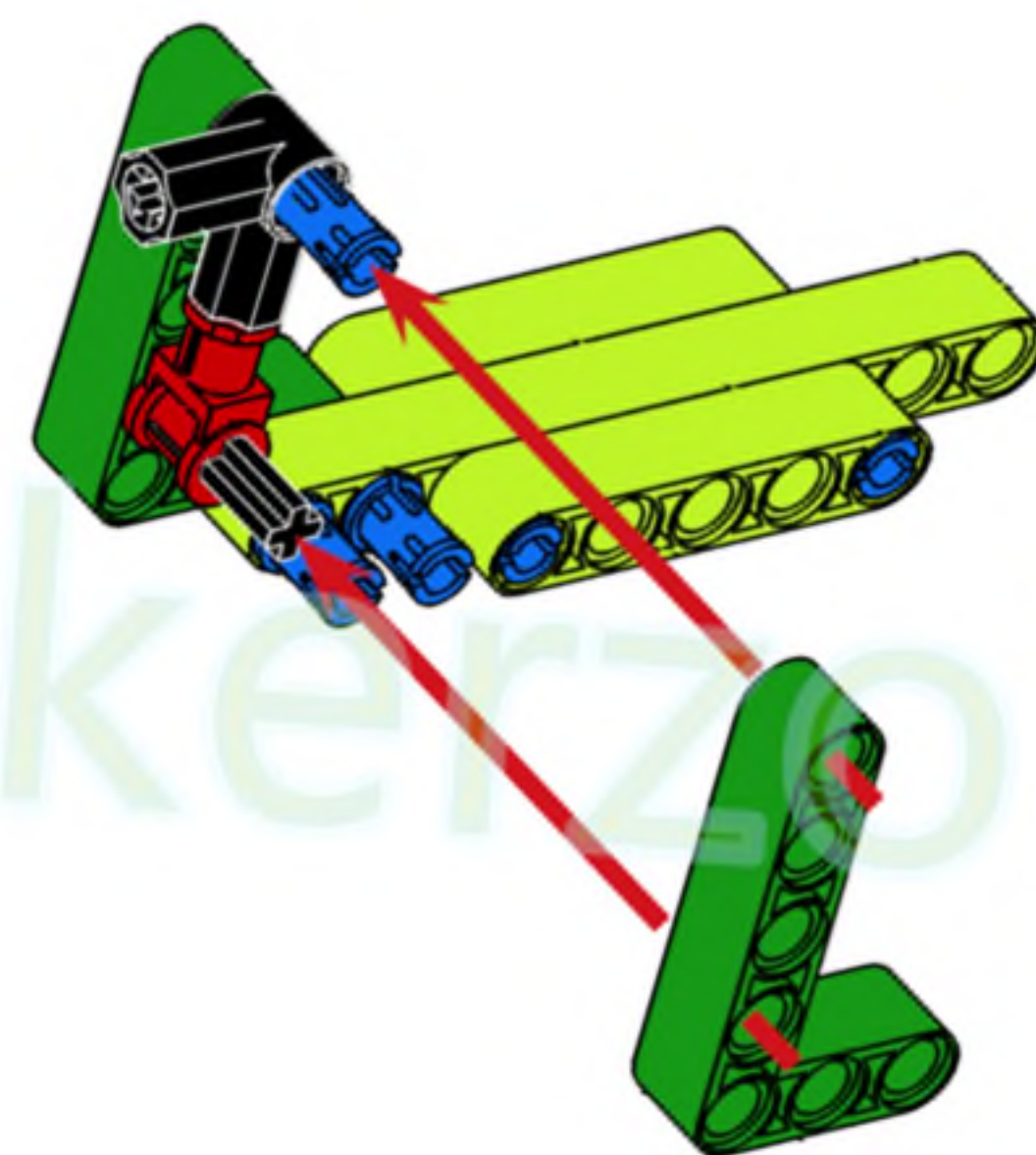


makerzoid

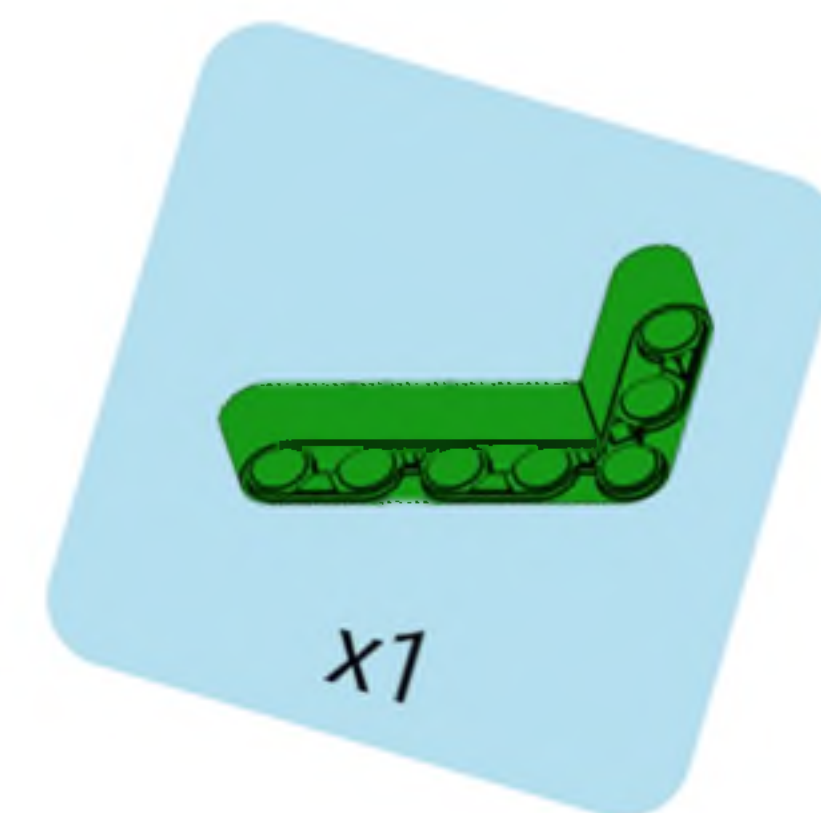


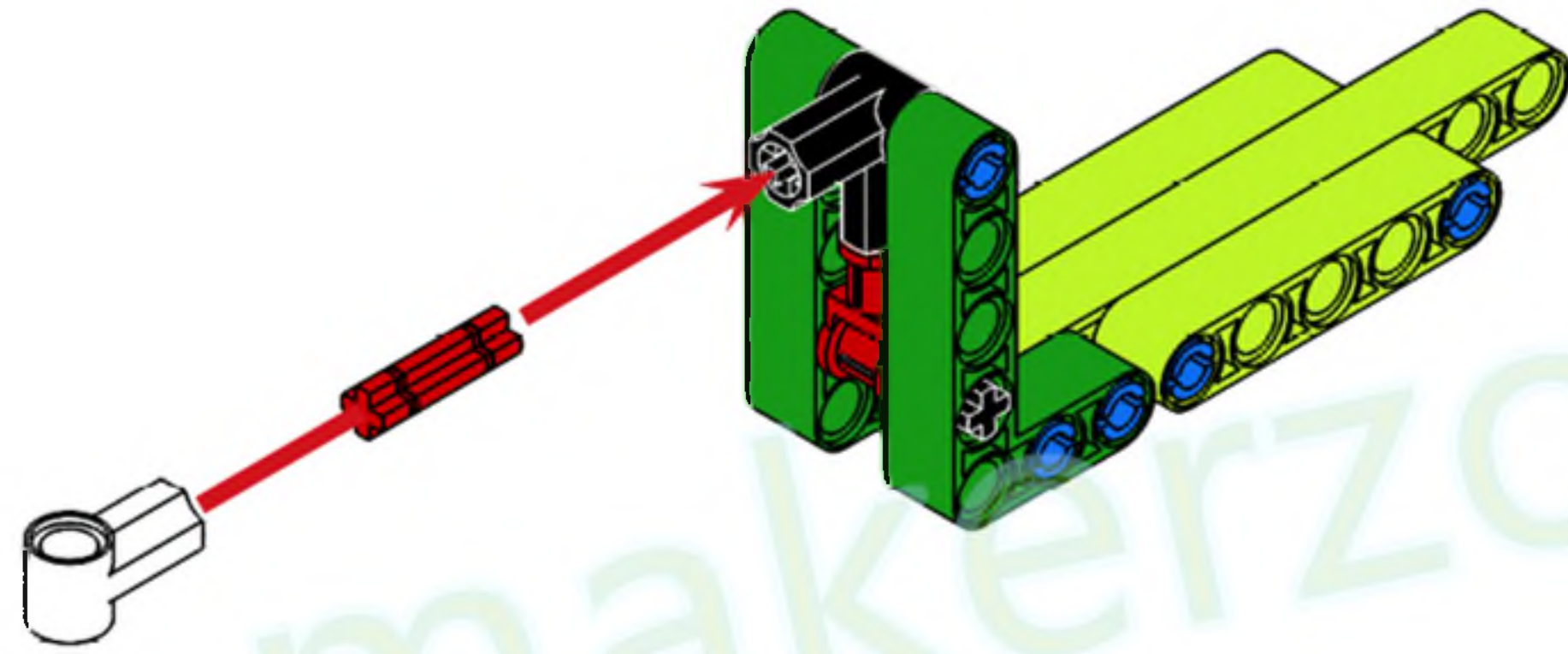
makeroid



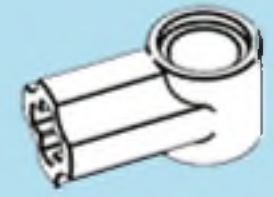


makerzoid

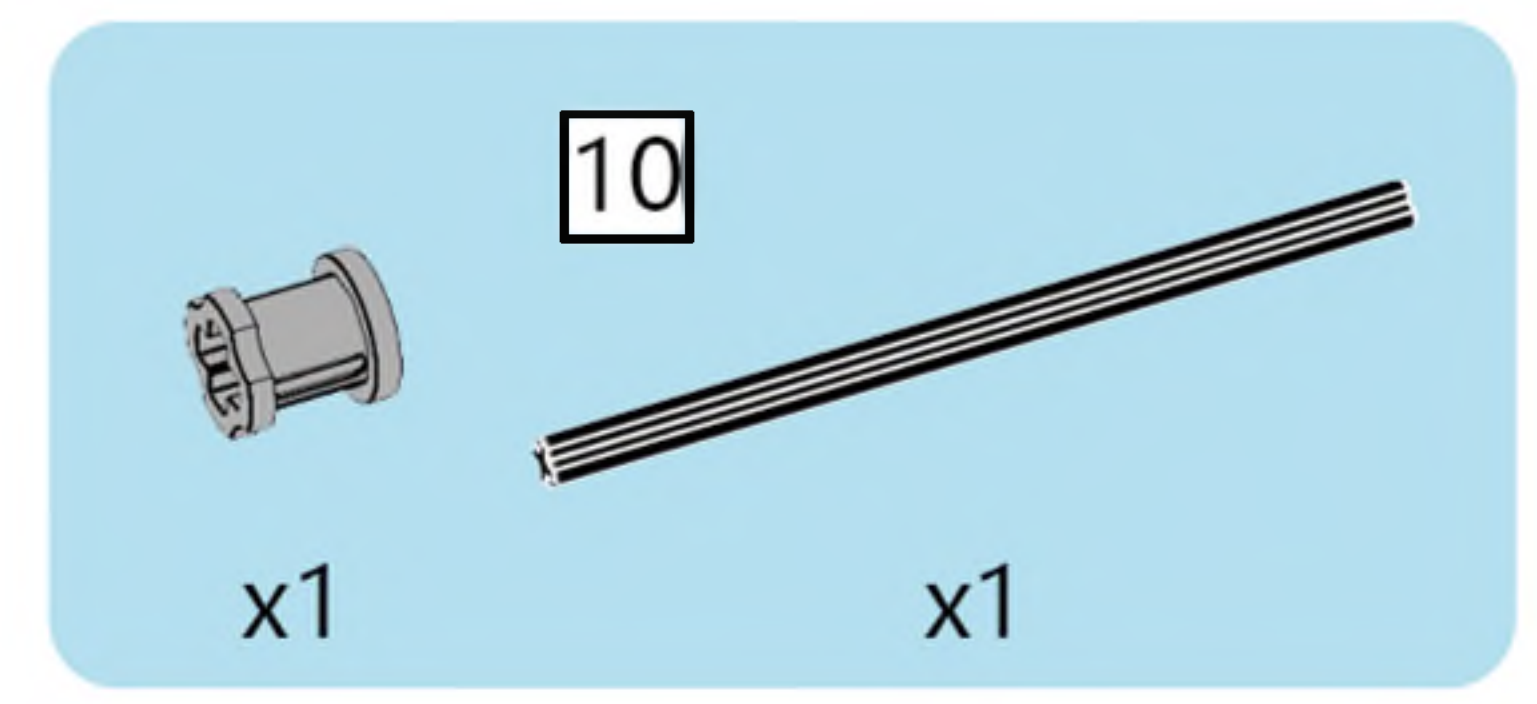
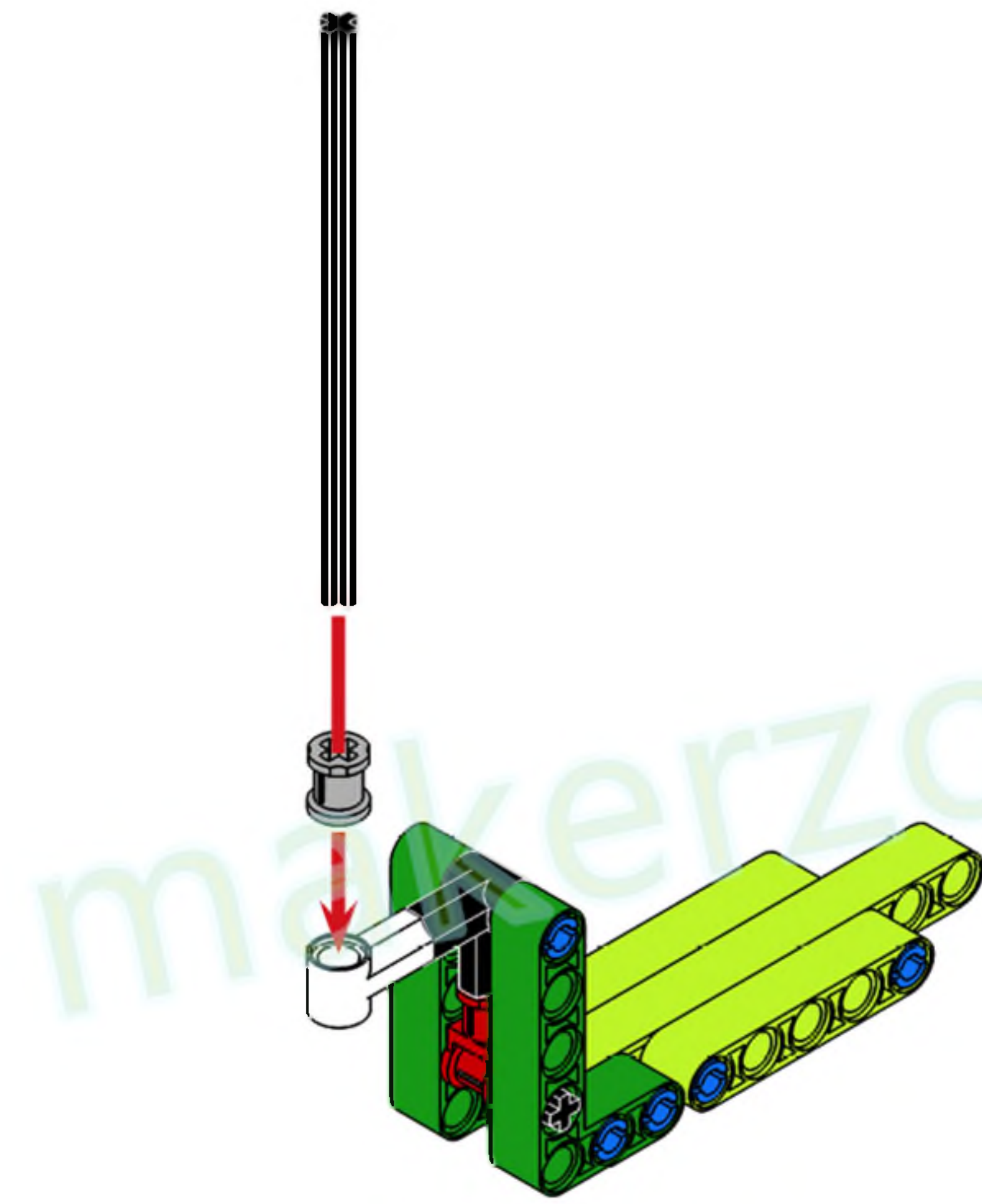




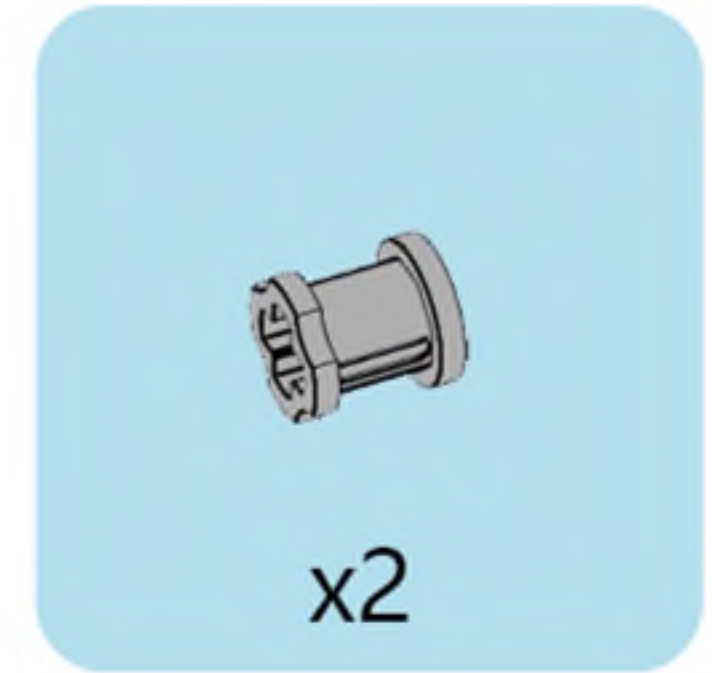
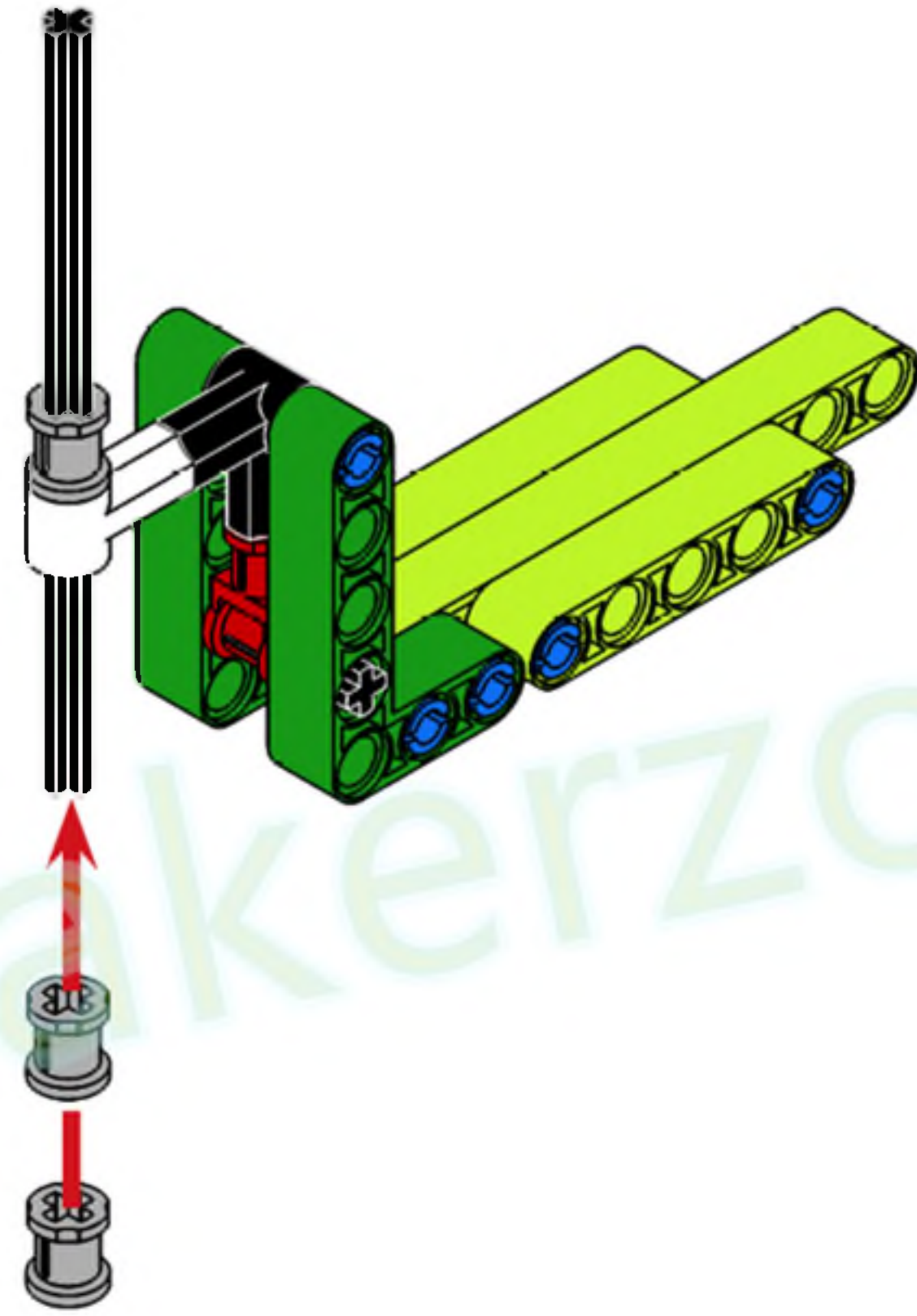
x1



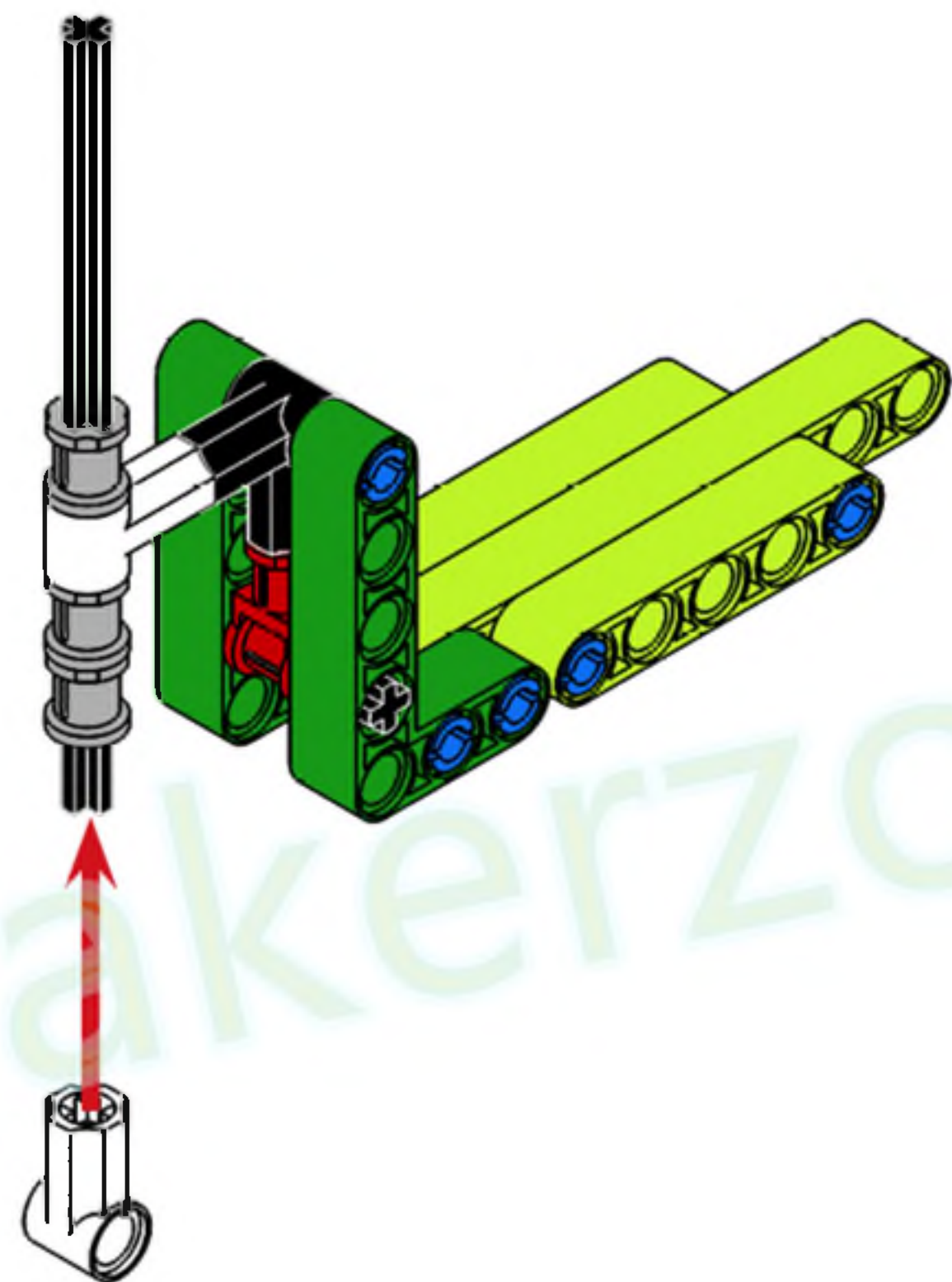
x1



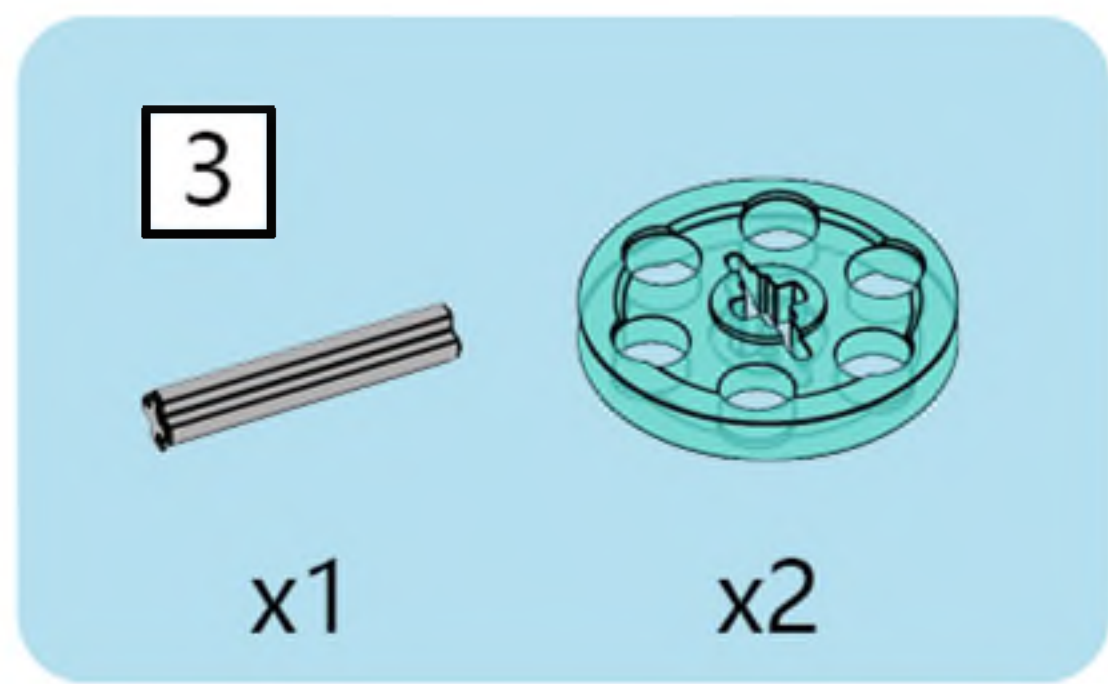
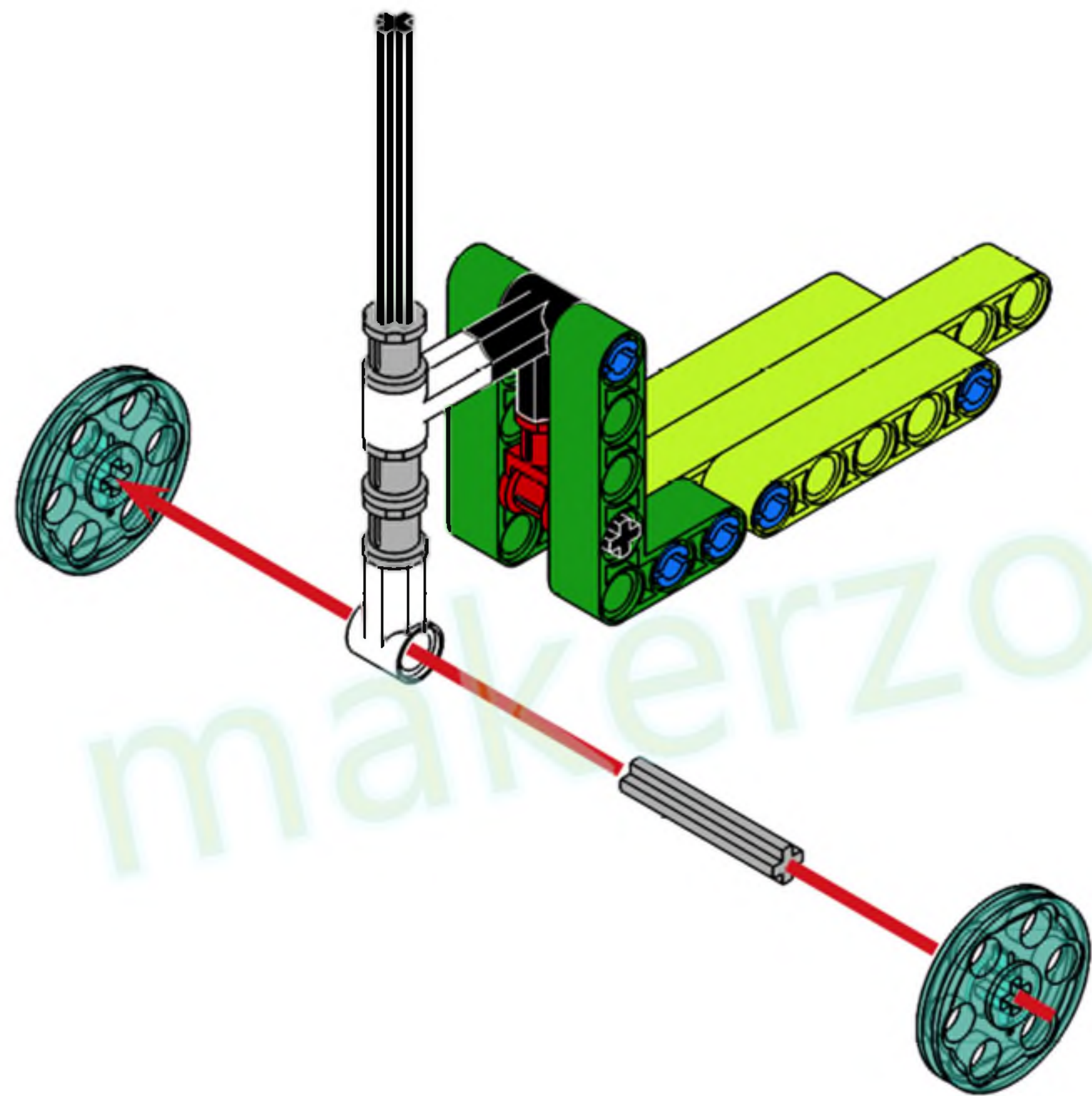
makerzoid

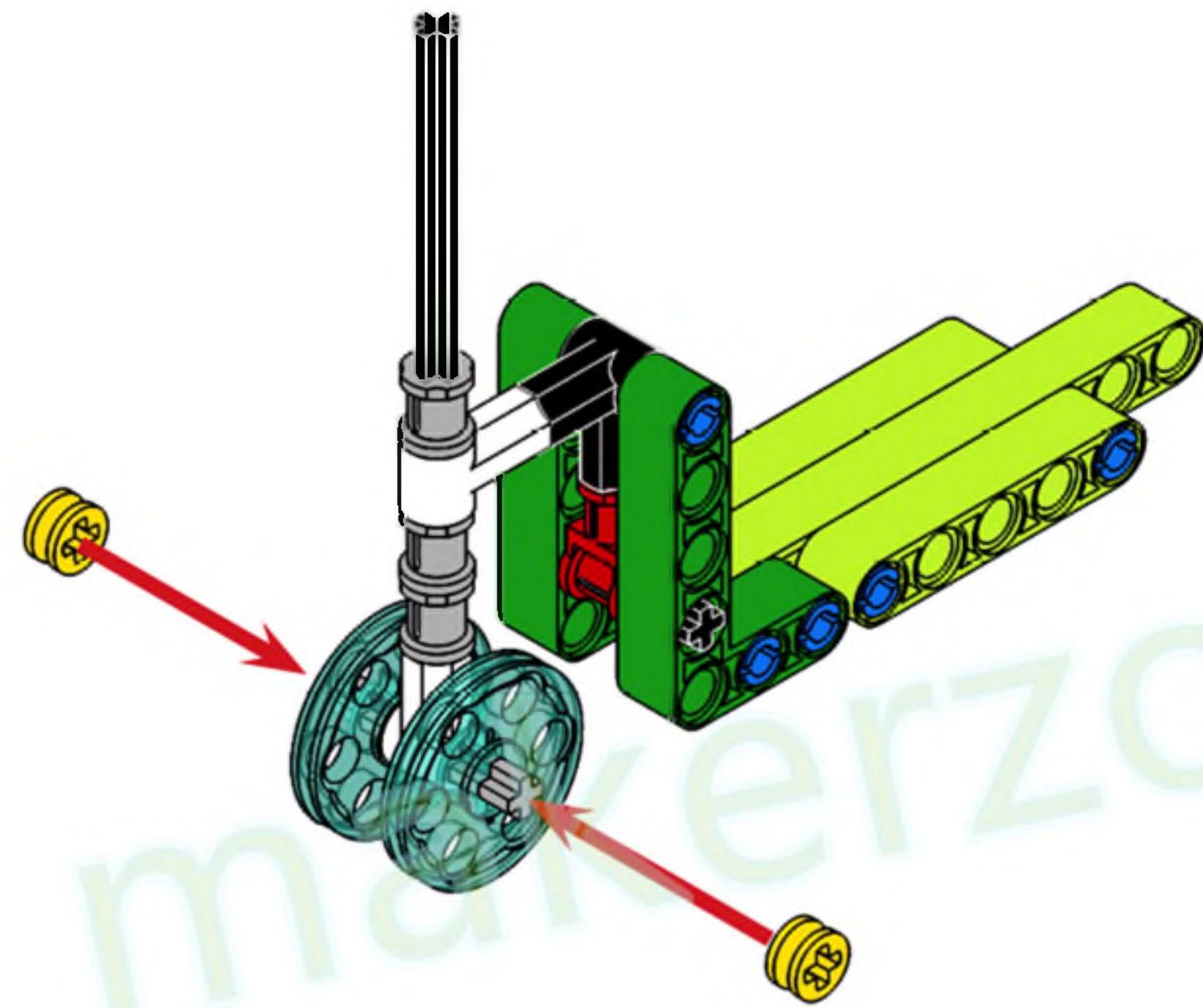


makerzoid



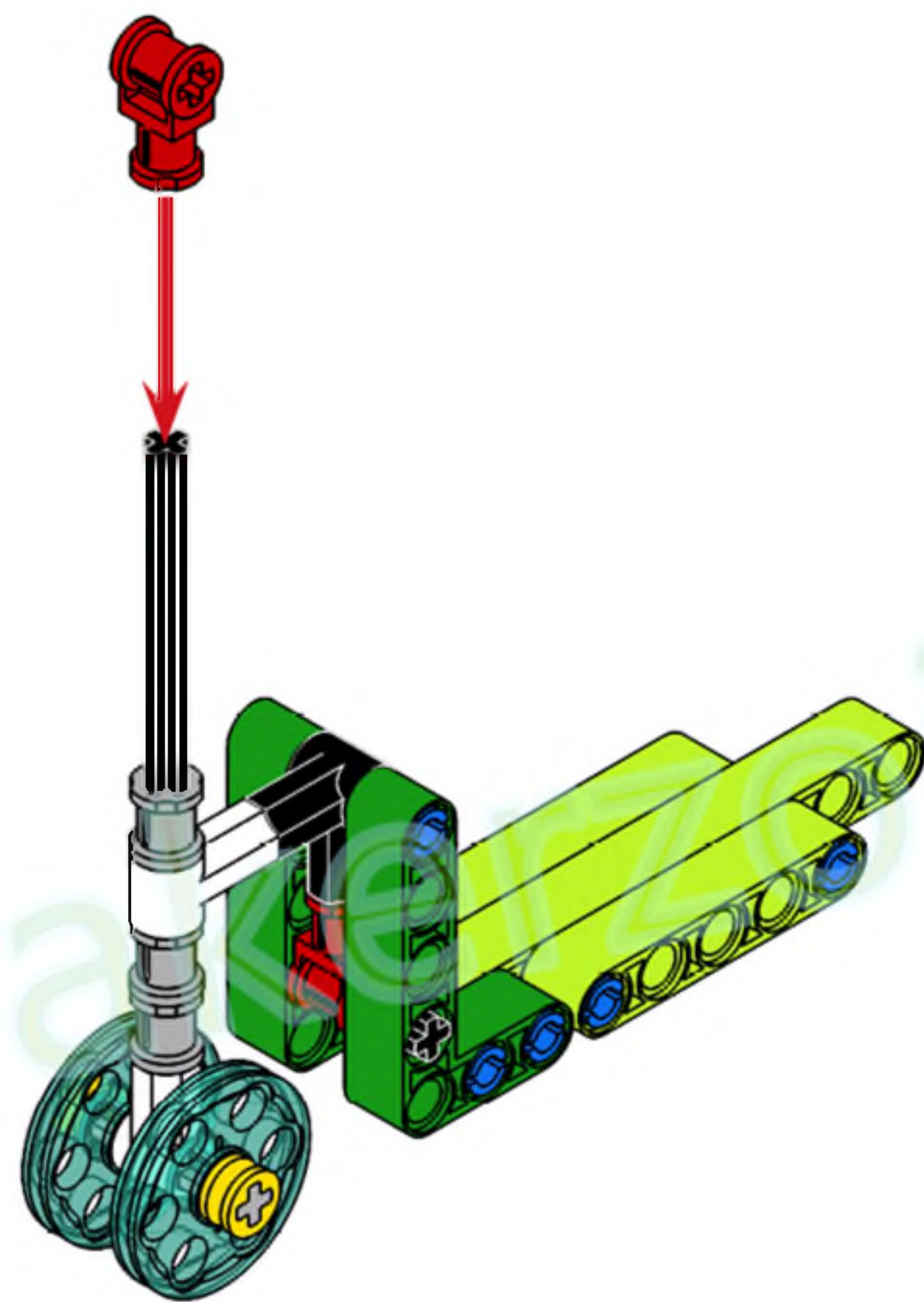
x1





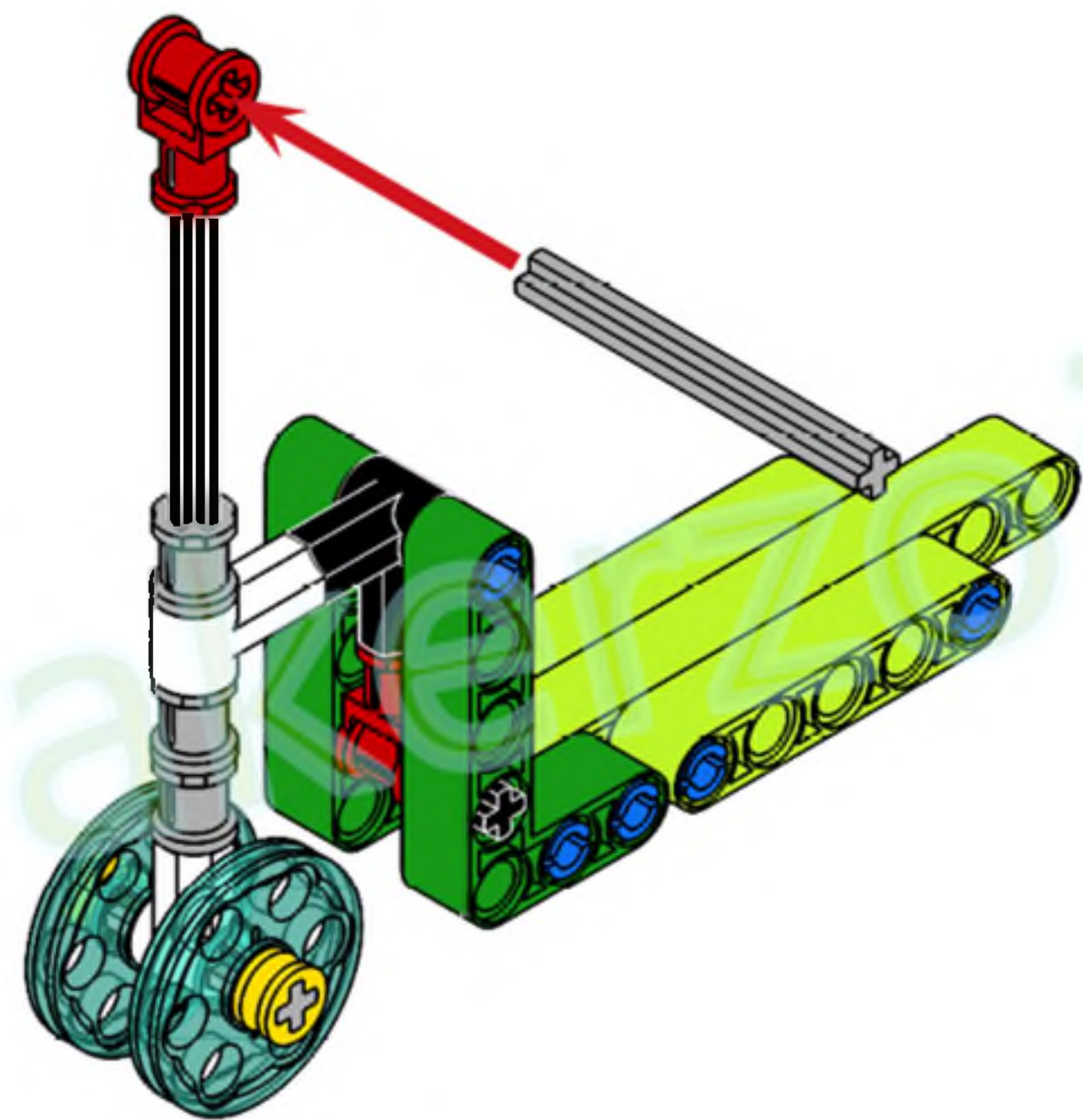
makerzoid





x1

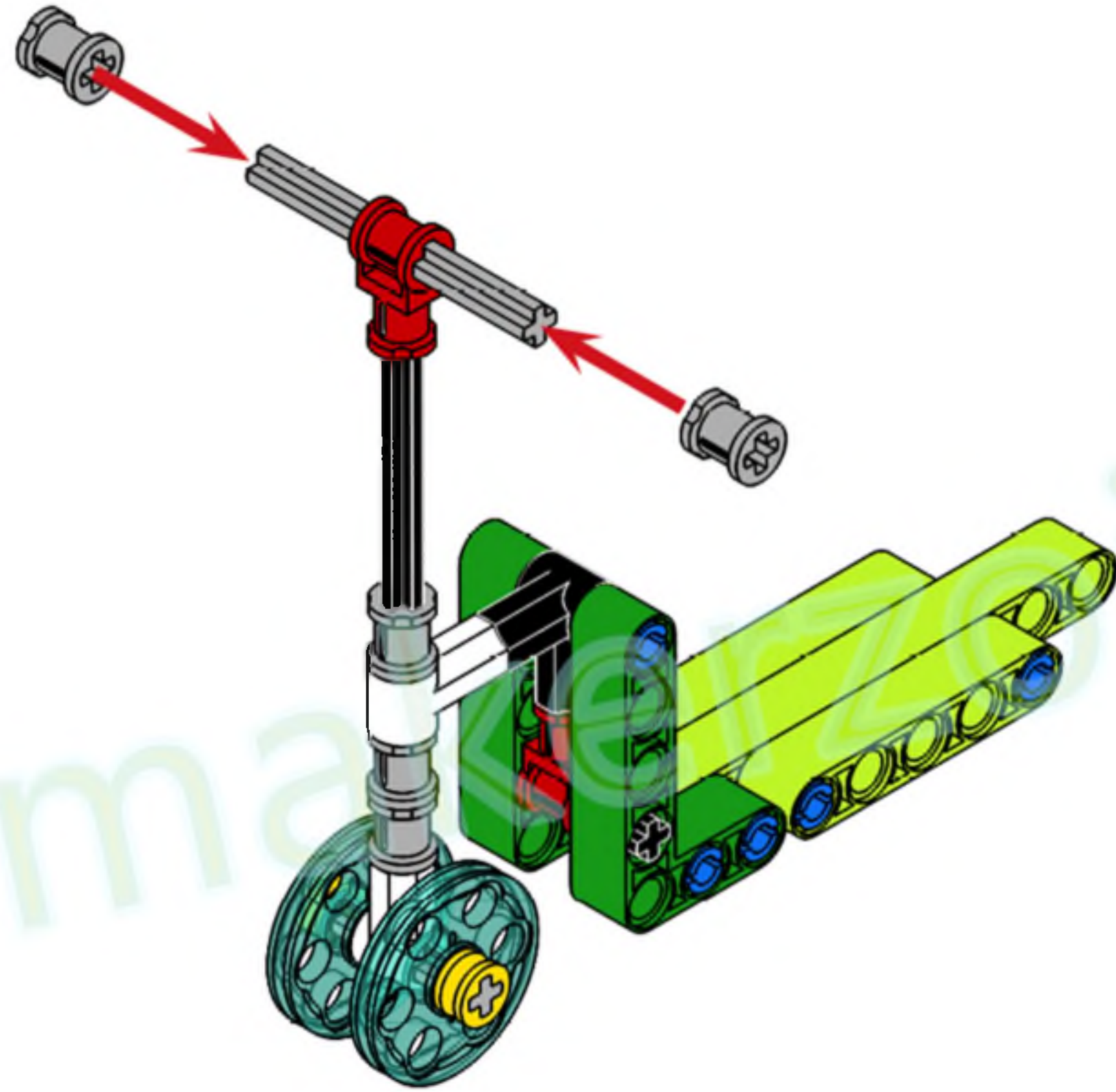




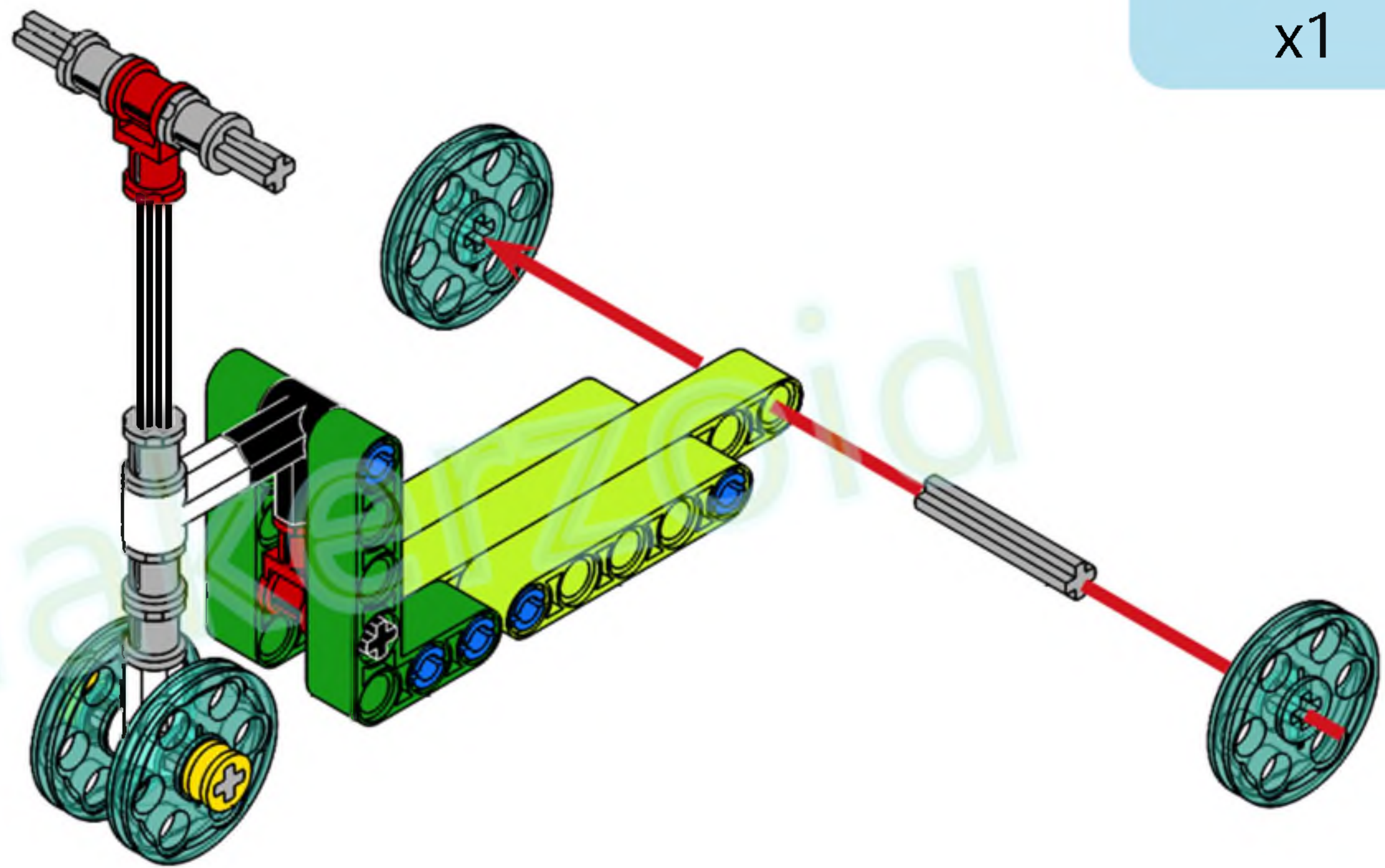
5



x1



x2

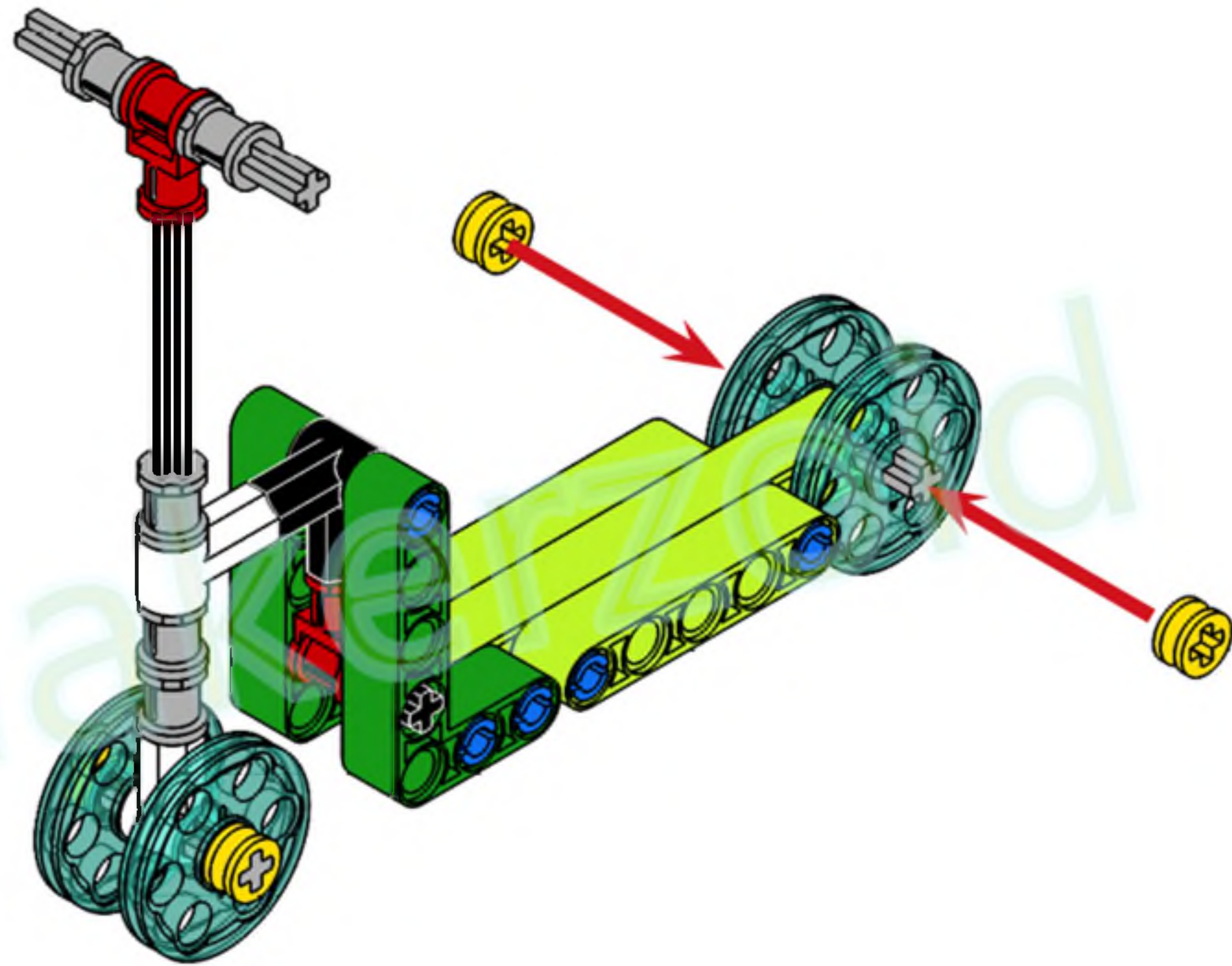


3

x1

x2

A light blue rounded rectangle containing a parts list for step 3. It shows a grey axle with the label "x1" below it, and two teal gears with the label "x2" below them. A small box with the number "3" is in the top left corner.



x2

