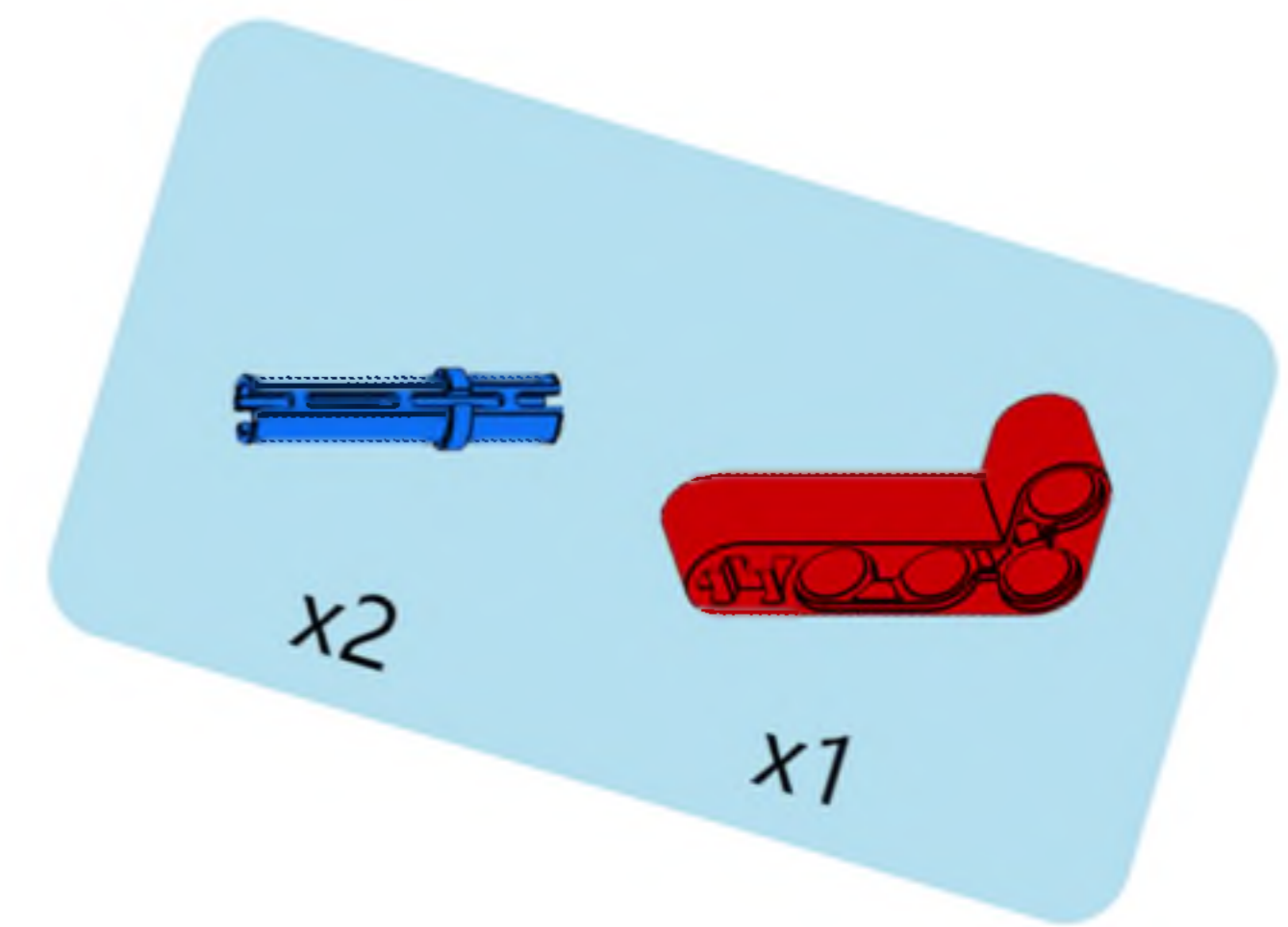
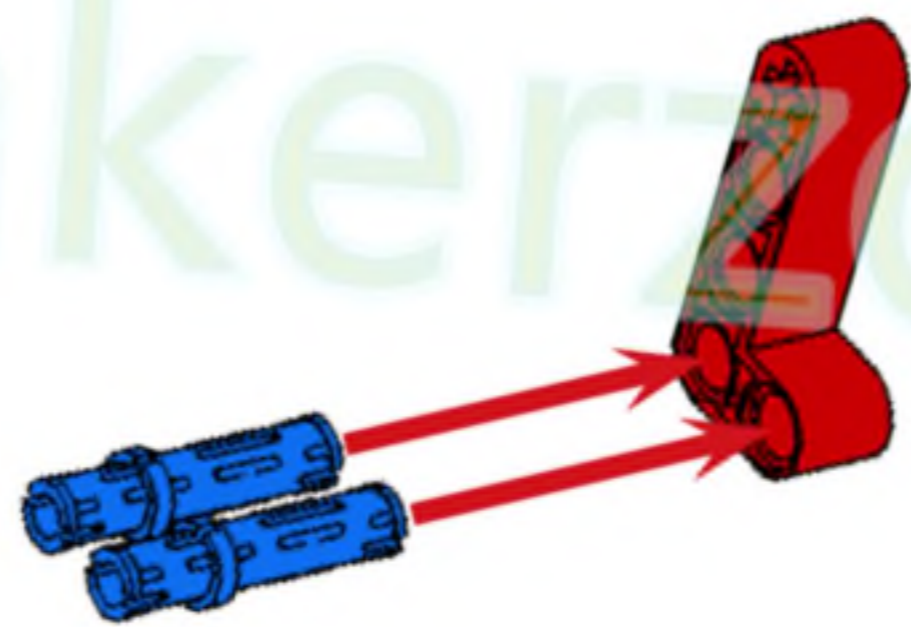
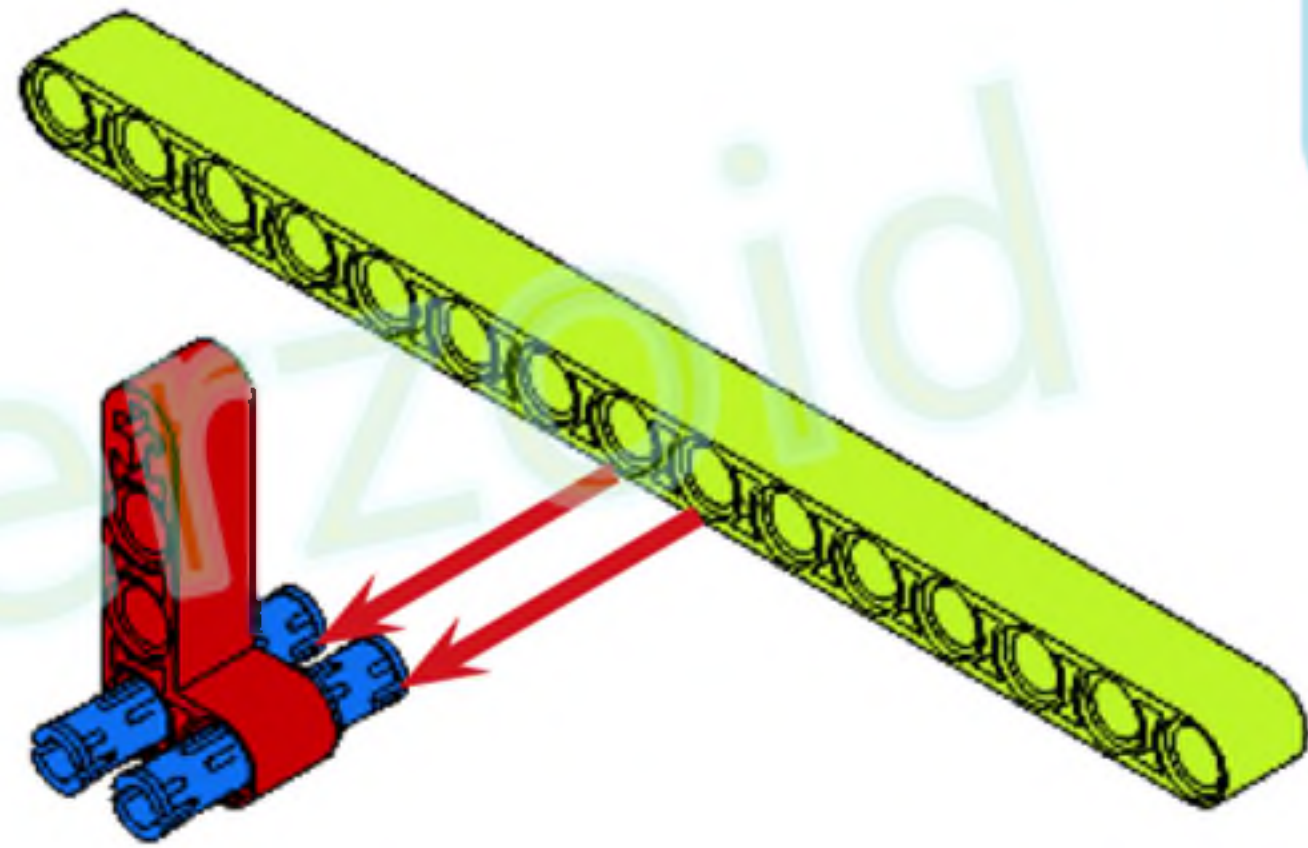


makertzoid



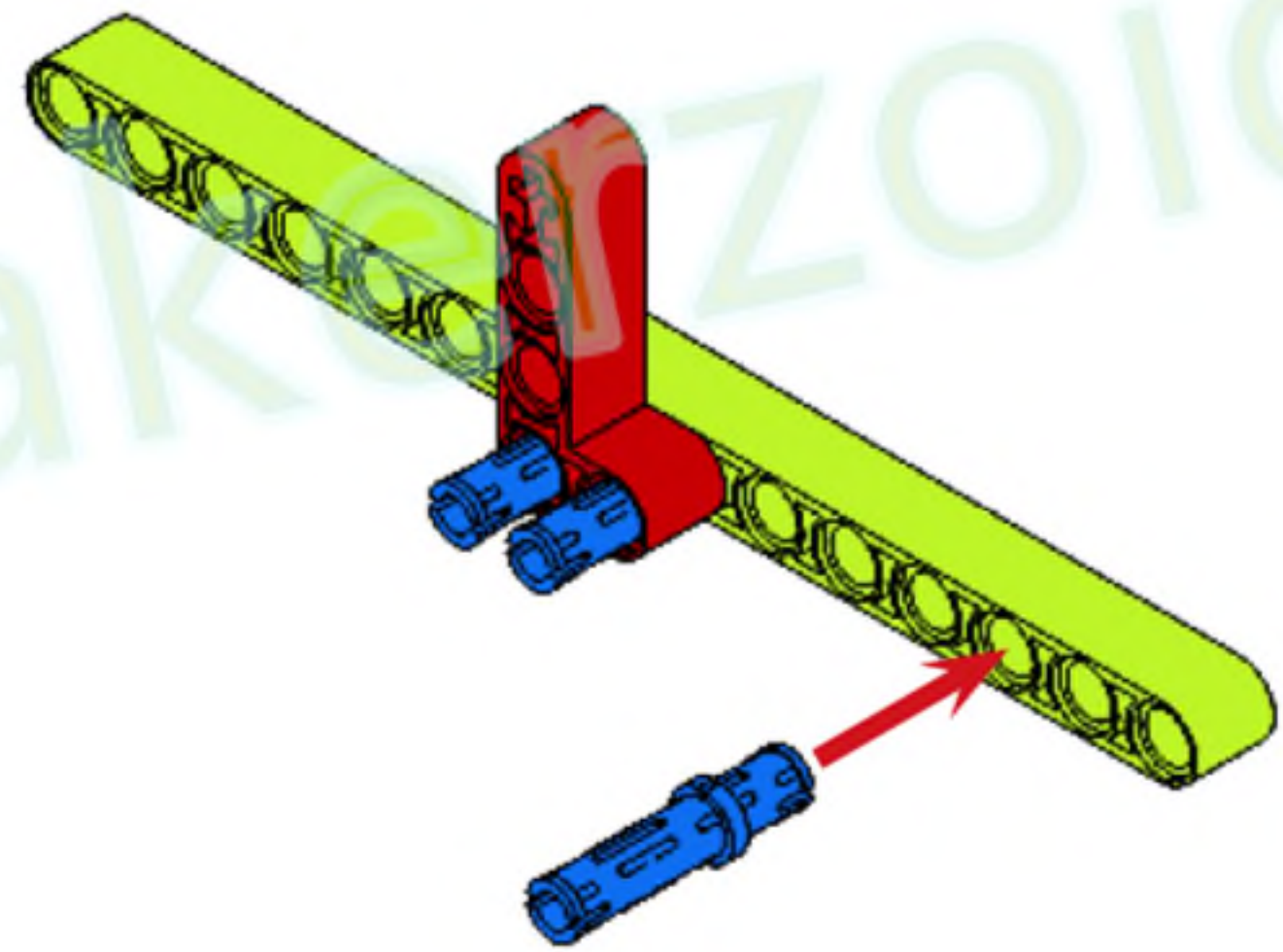
makezoid

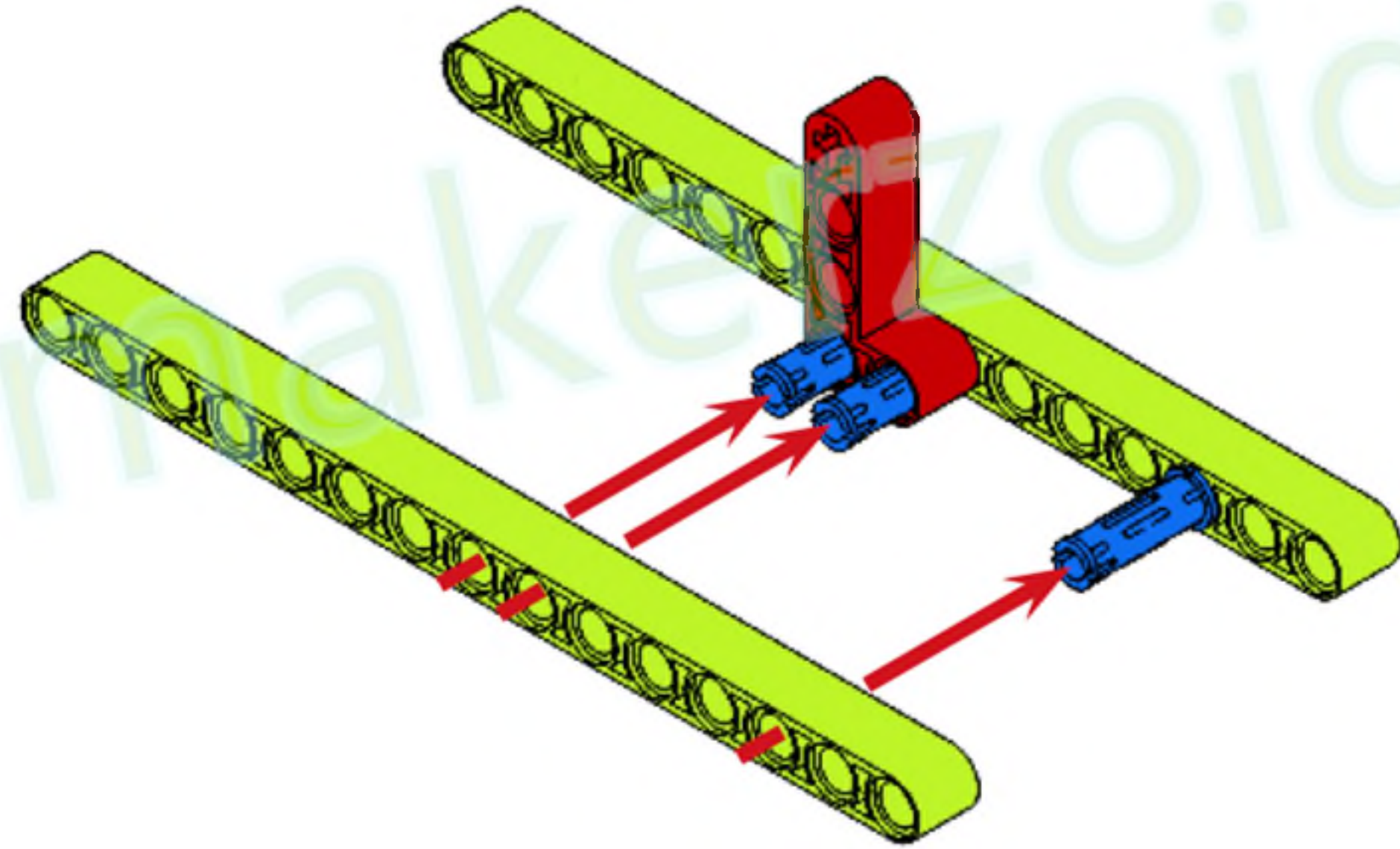


15

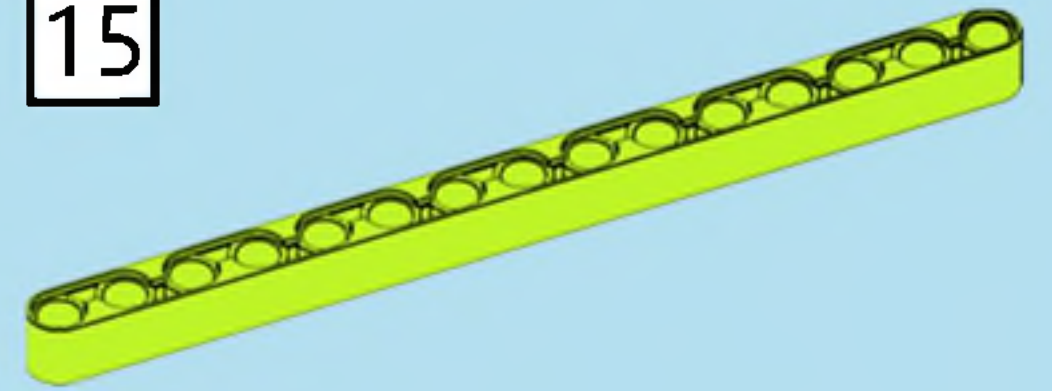
x1

makezoid

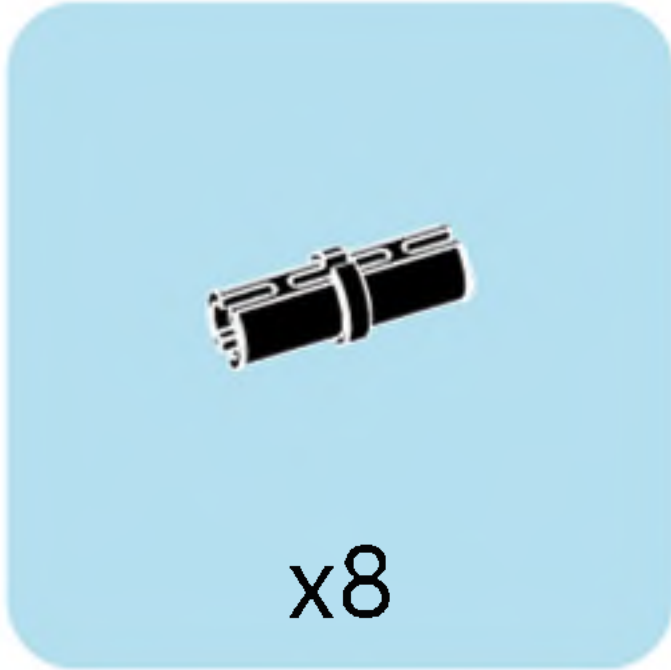
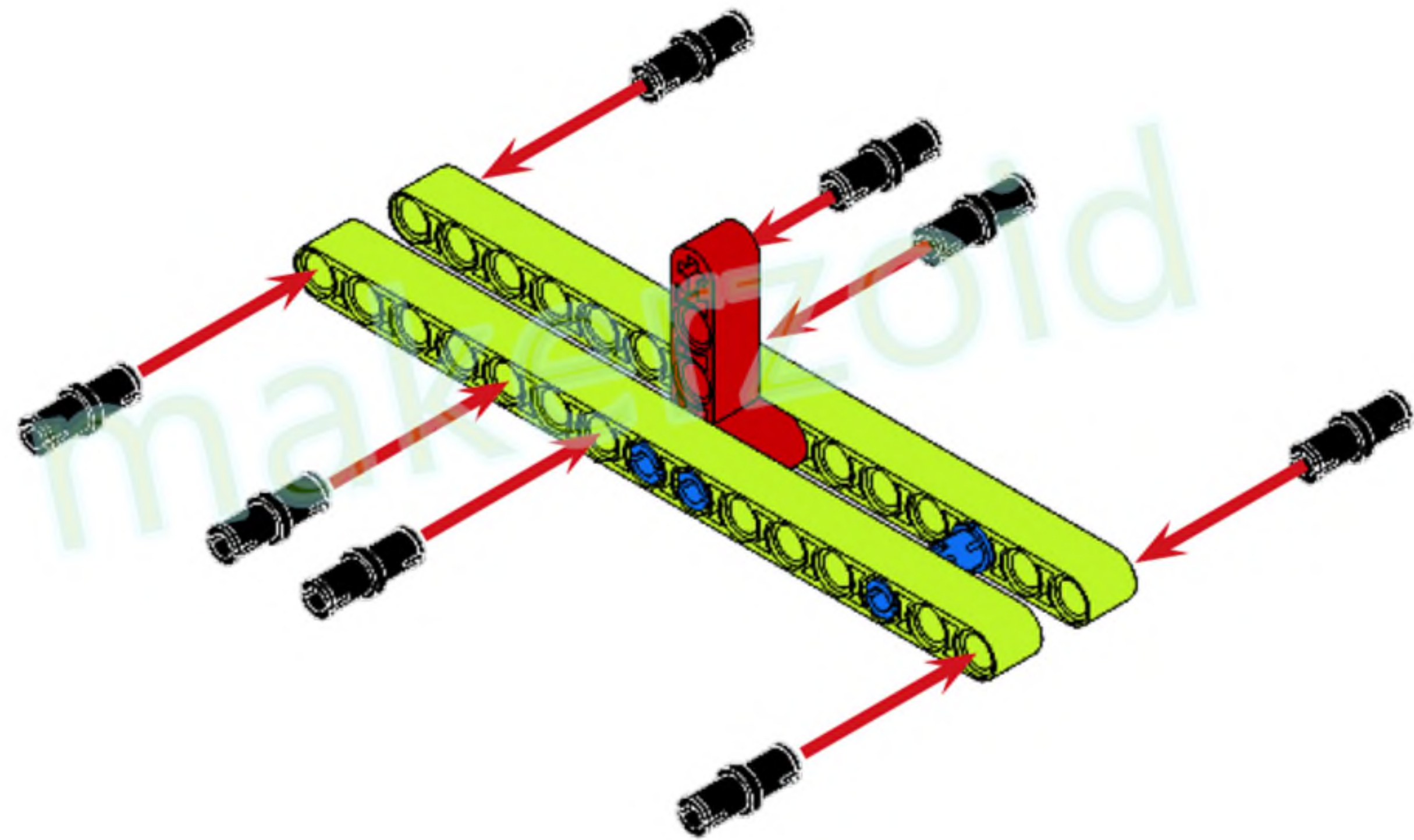


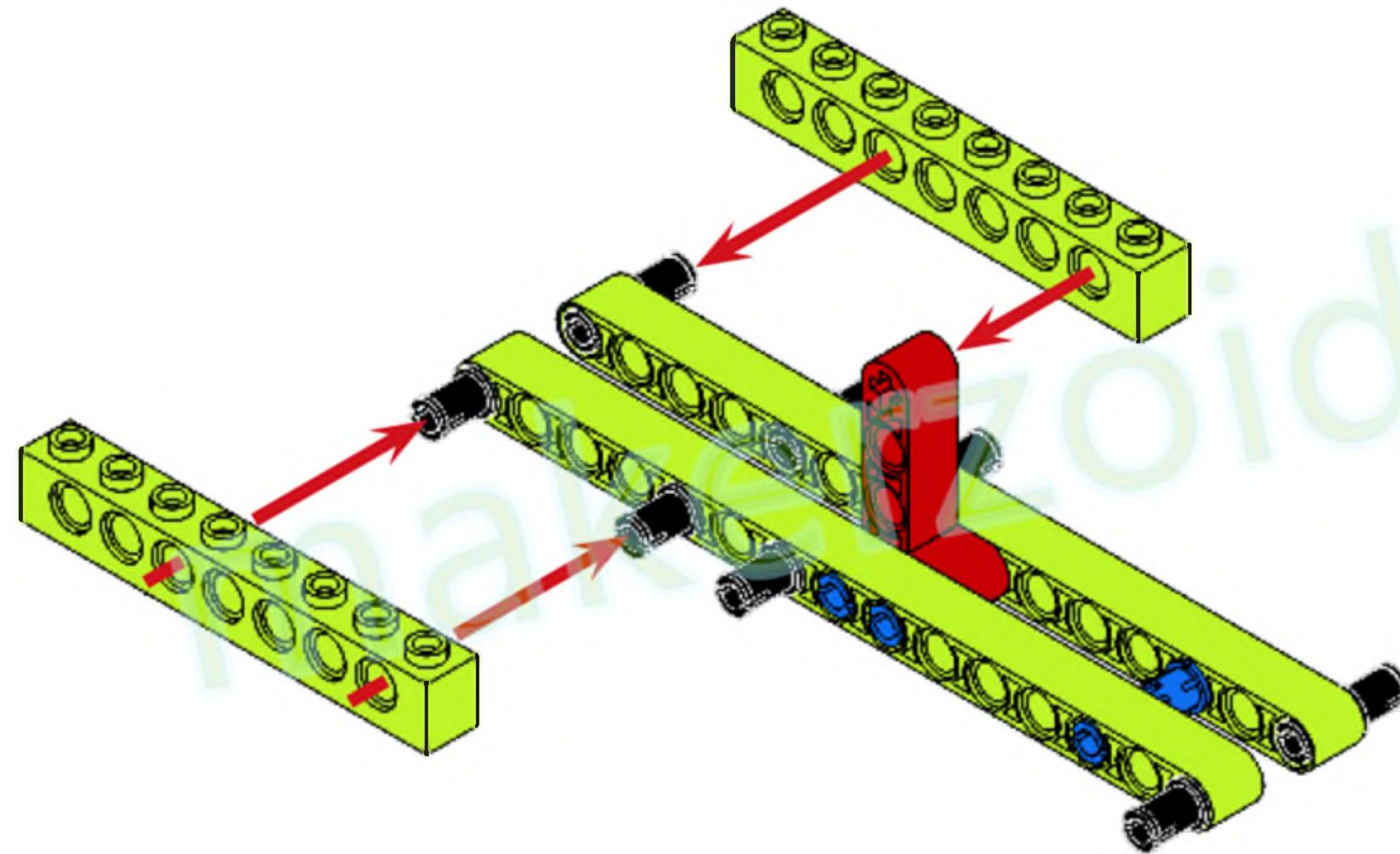


15

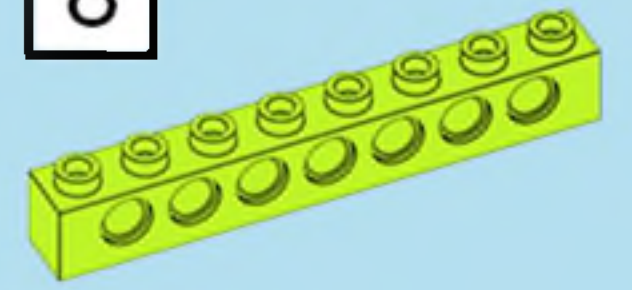


x1

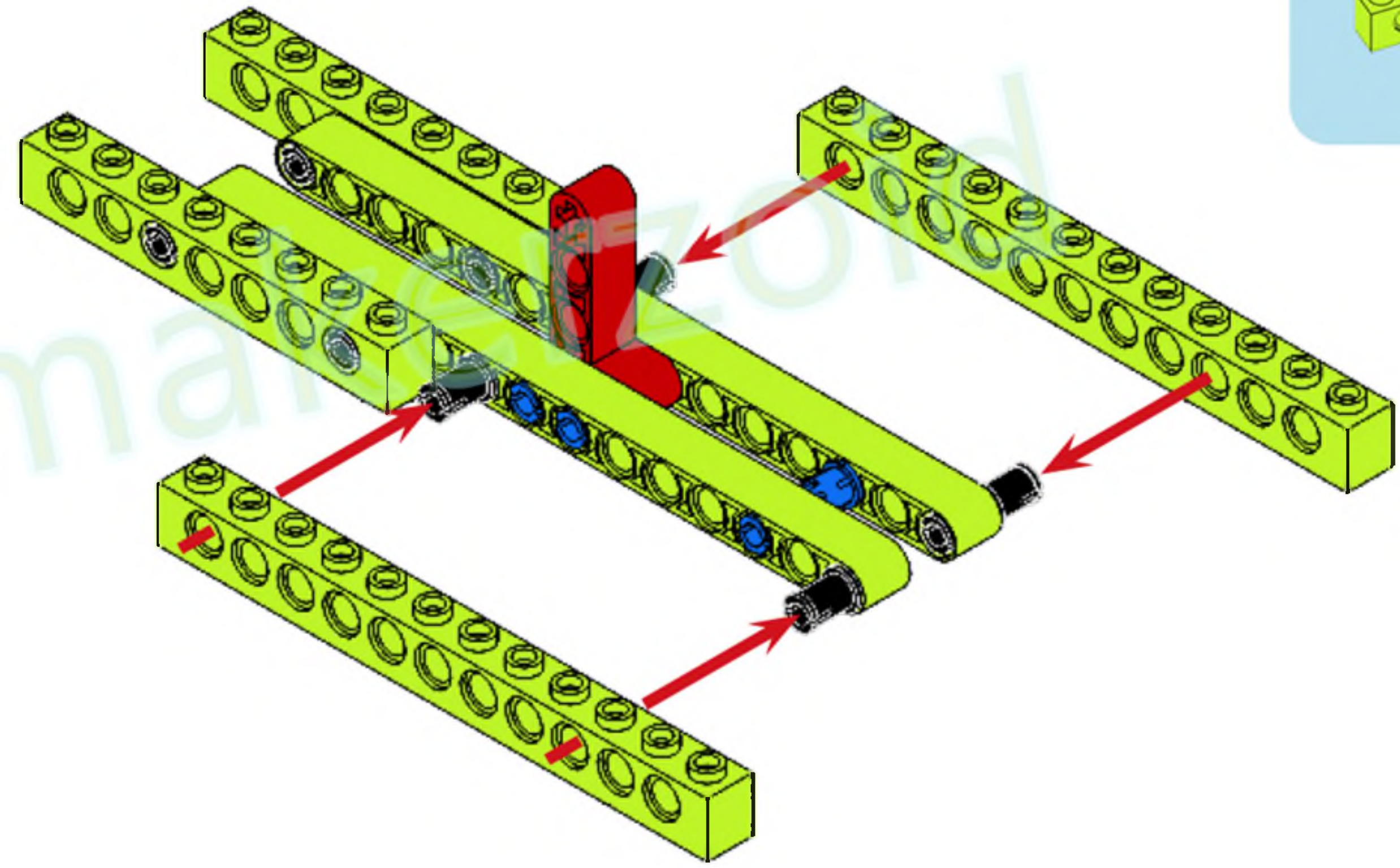




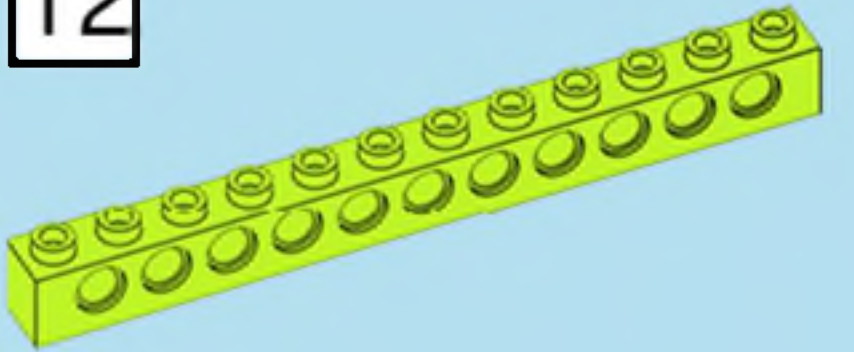
8



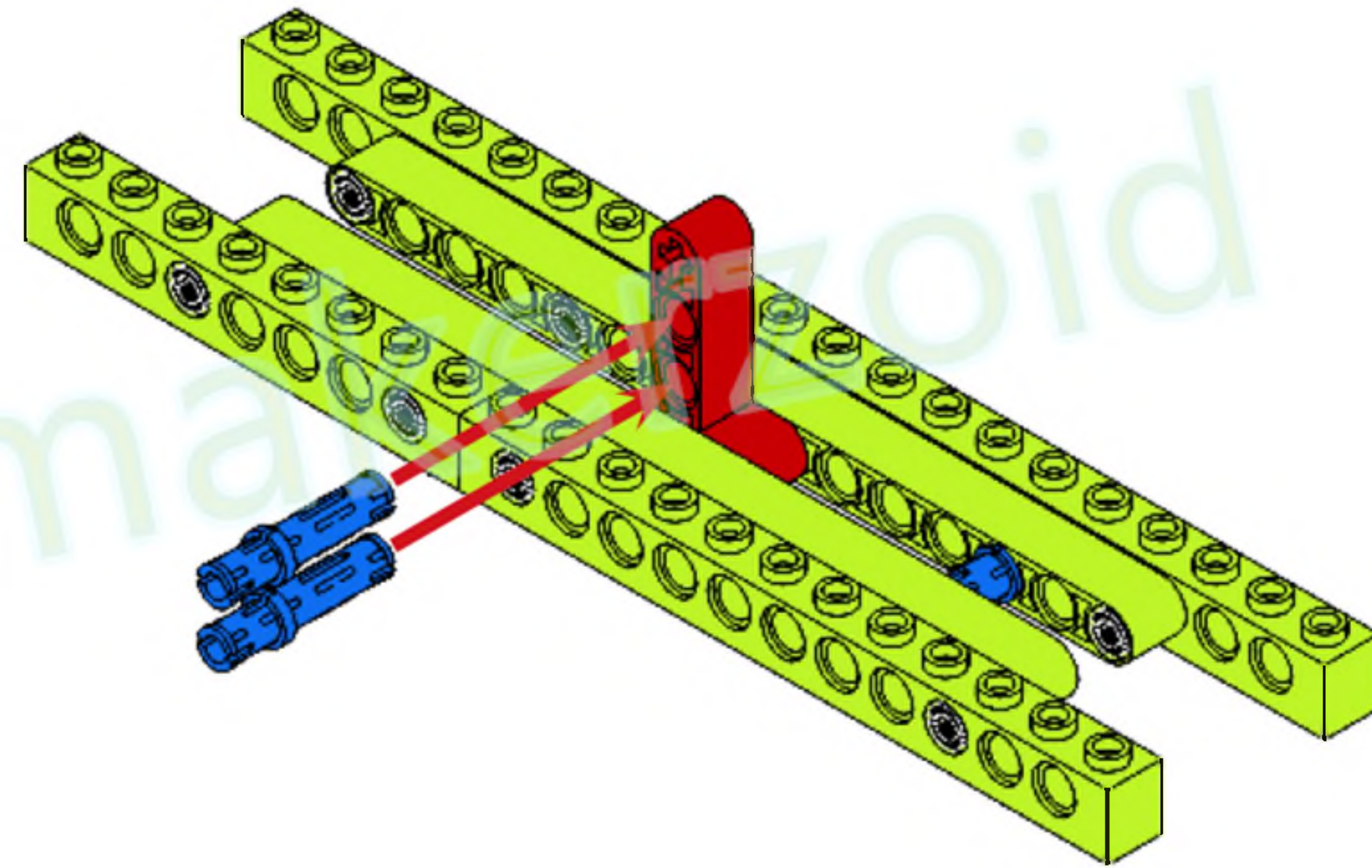
x2



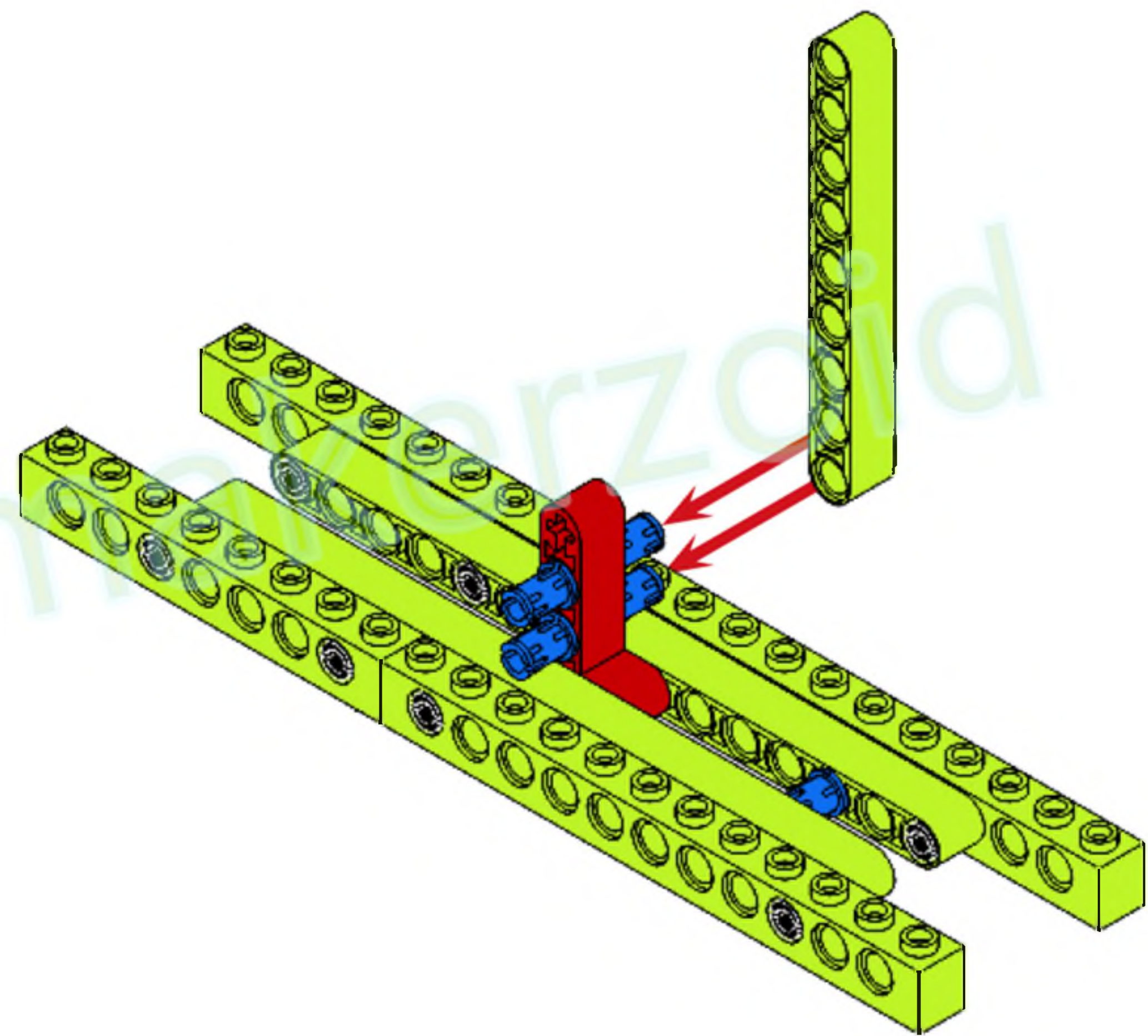
12



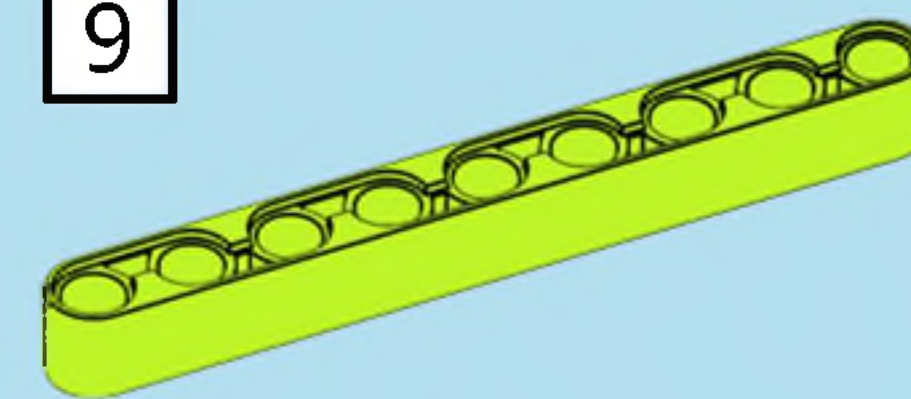
x2



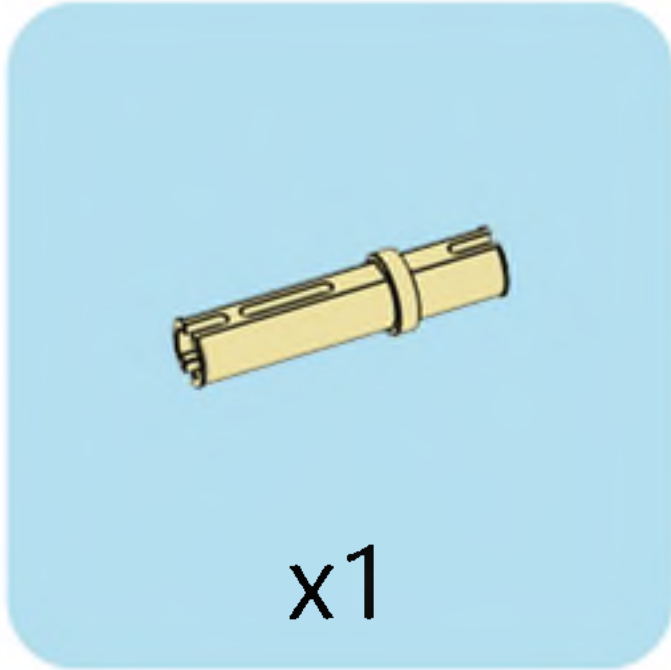
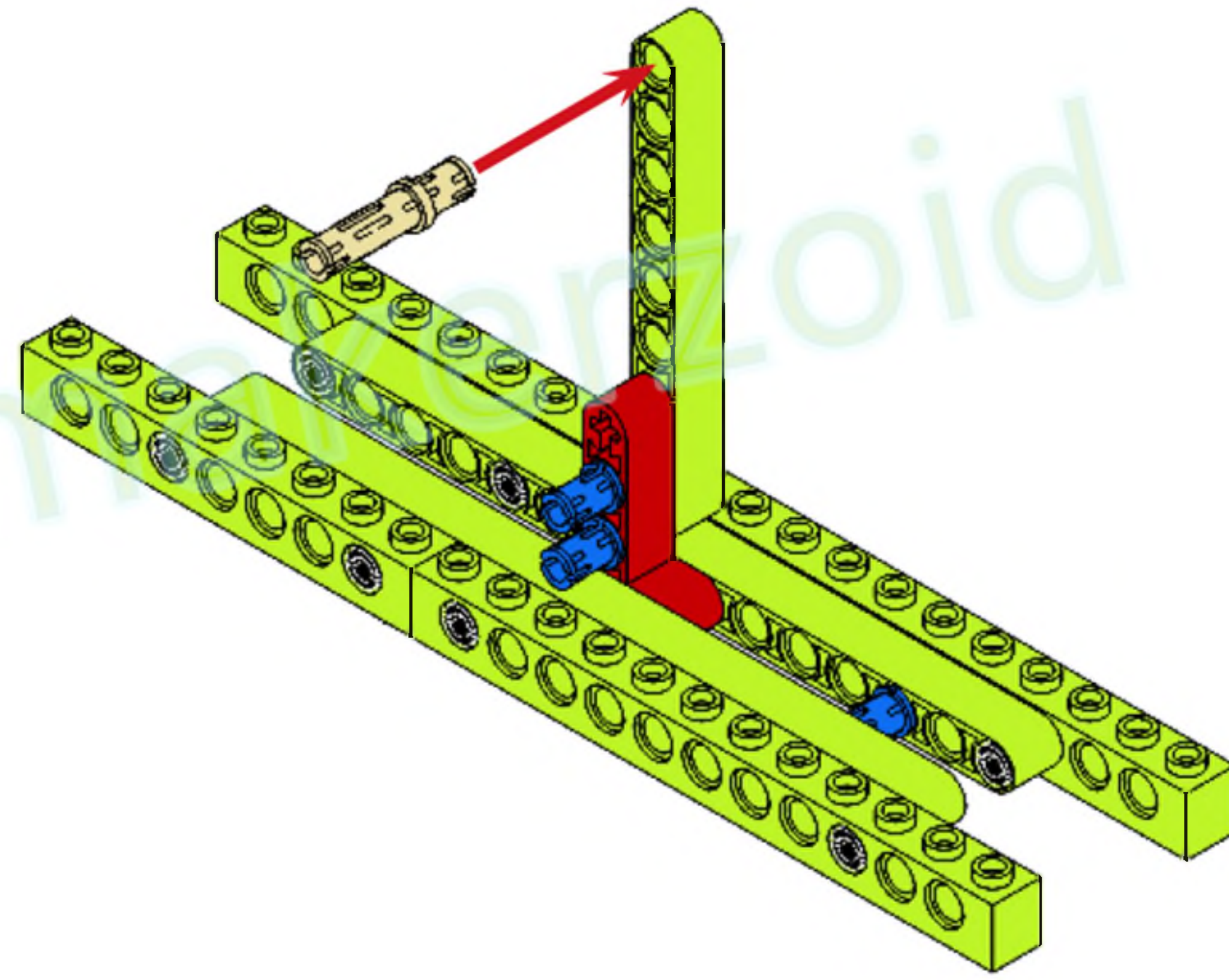


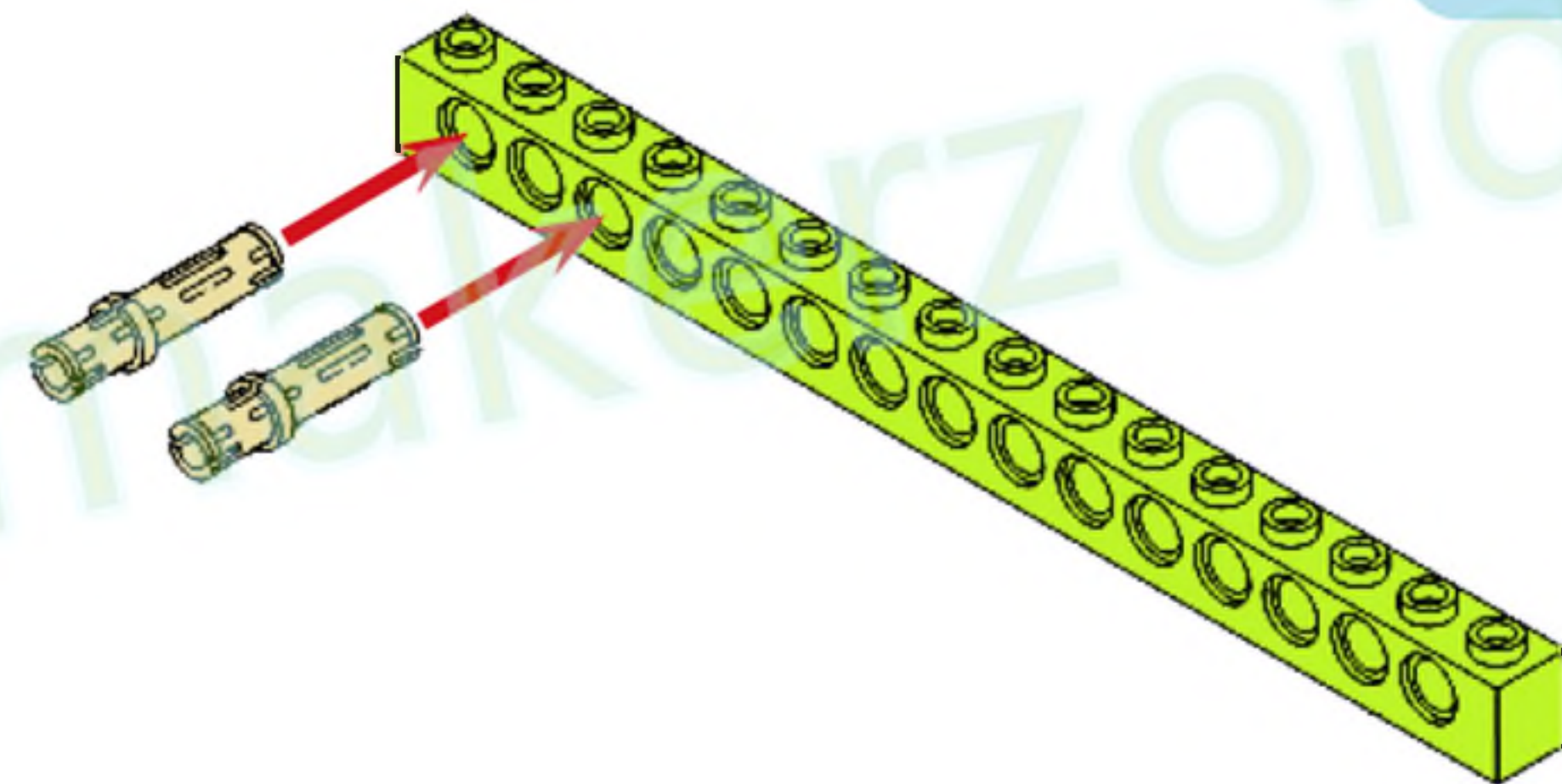


9



x1

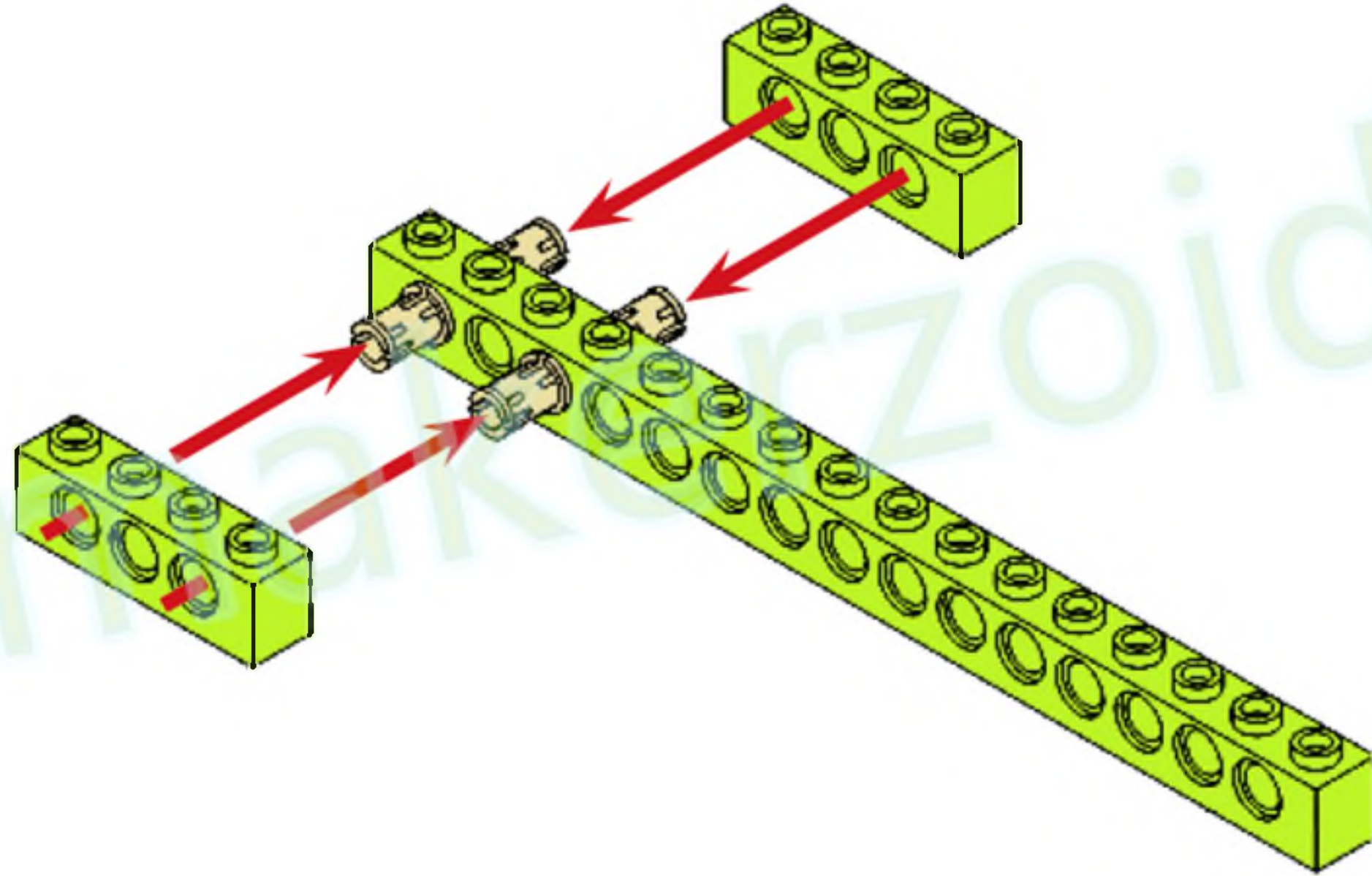




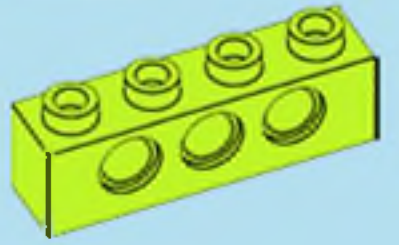
16

x2 x1

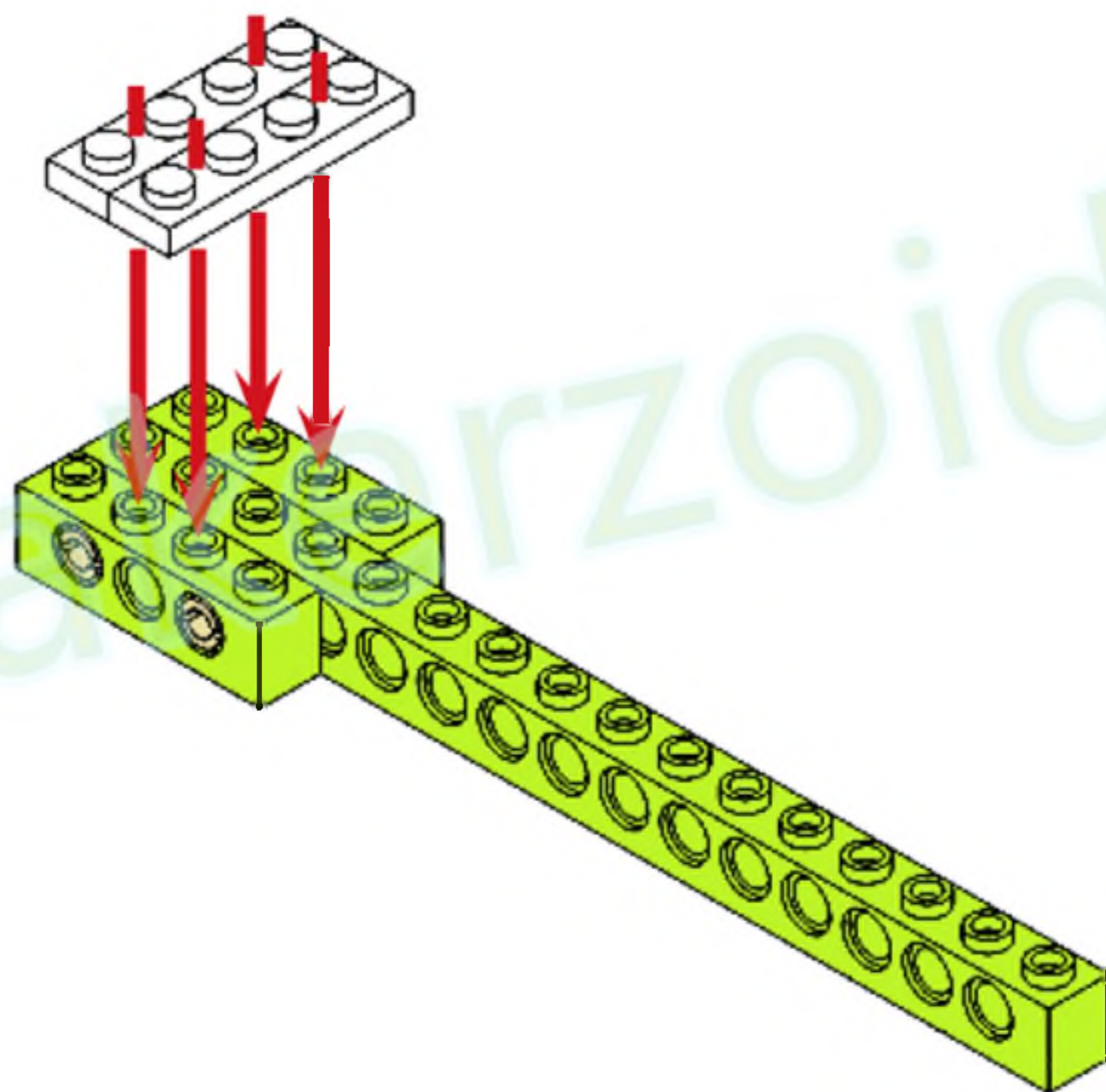
A light blue rounded rectangle containing a parts list. On the left is a tan pin with the quantity 'x2' below it. On the right is a yellow Technic beam with the quantity 'x1' below it. A small box containing the number '16' is positioned above the beam.



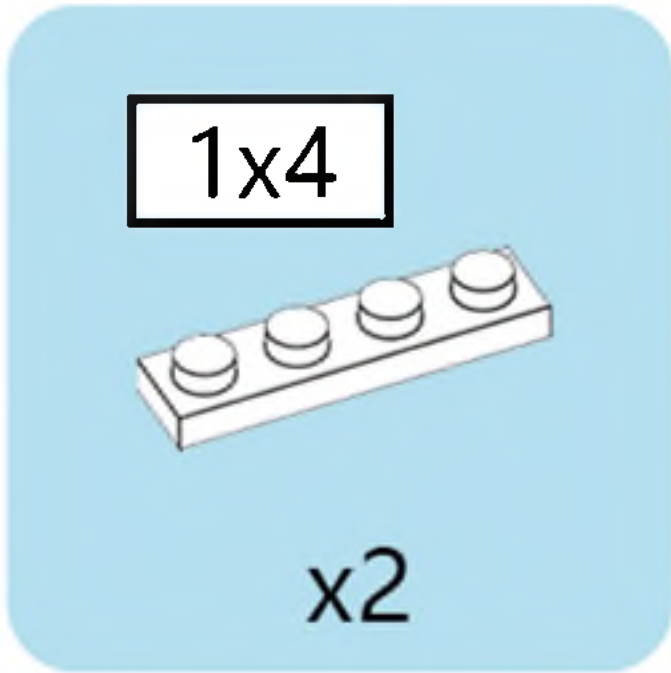
4

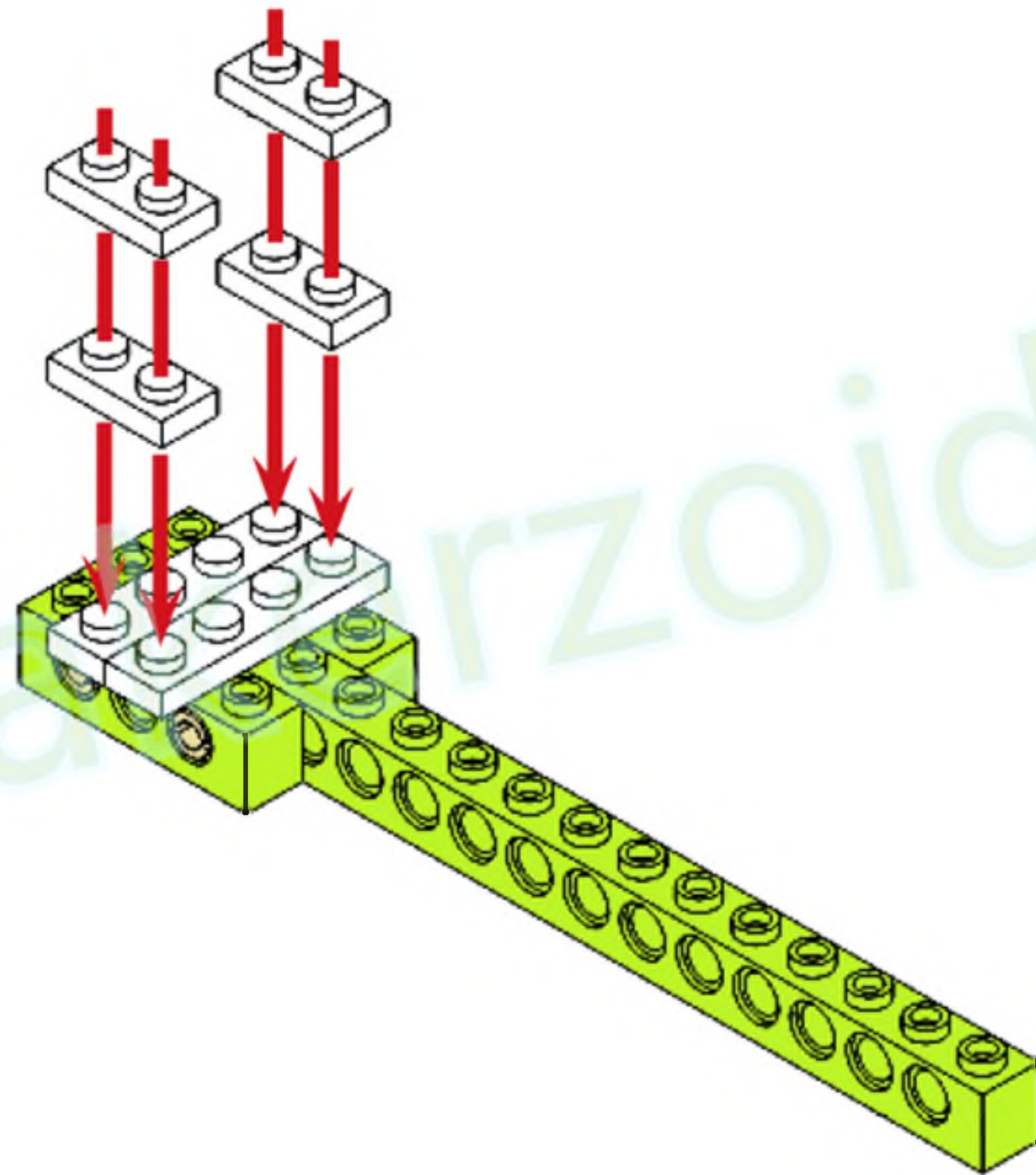


x2

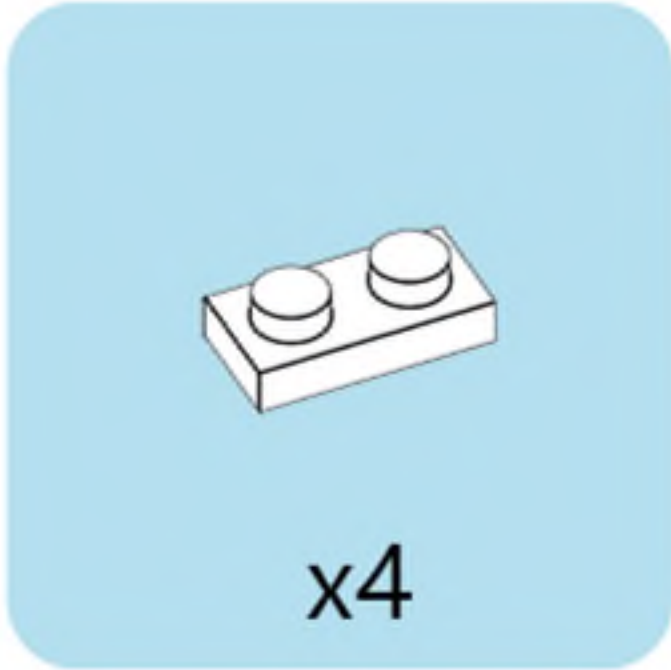


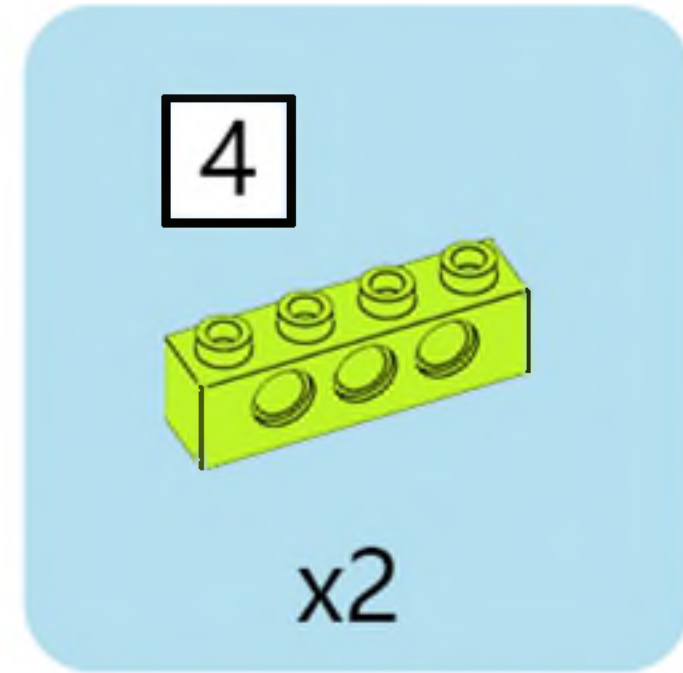
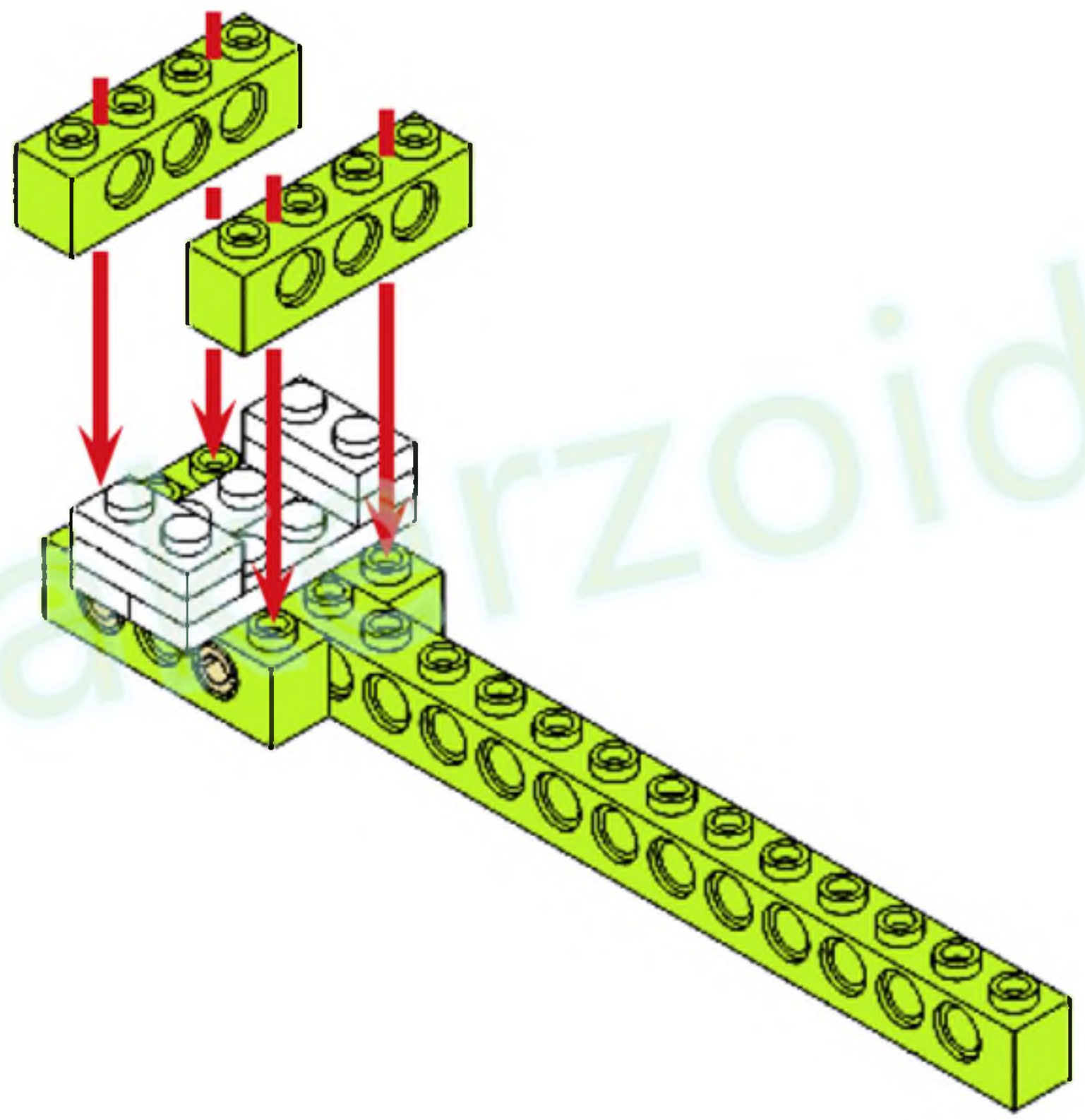
maerzoid

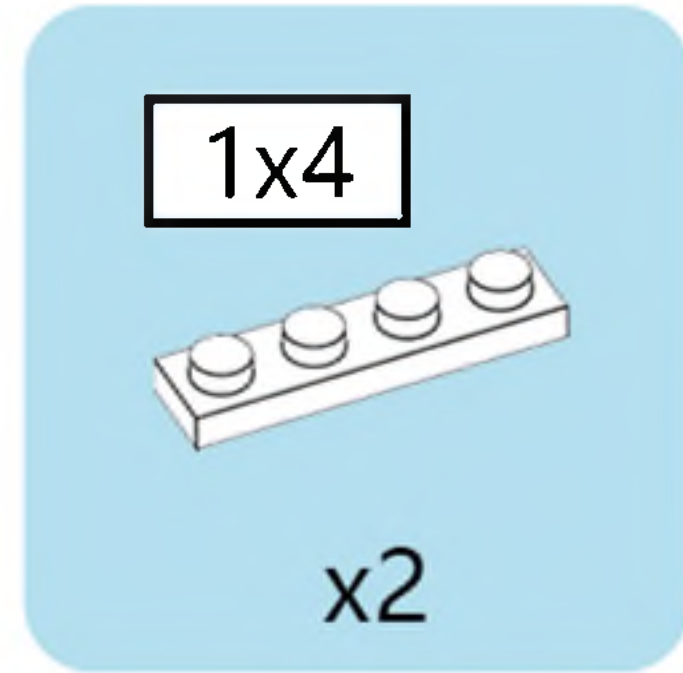
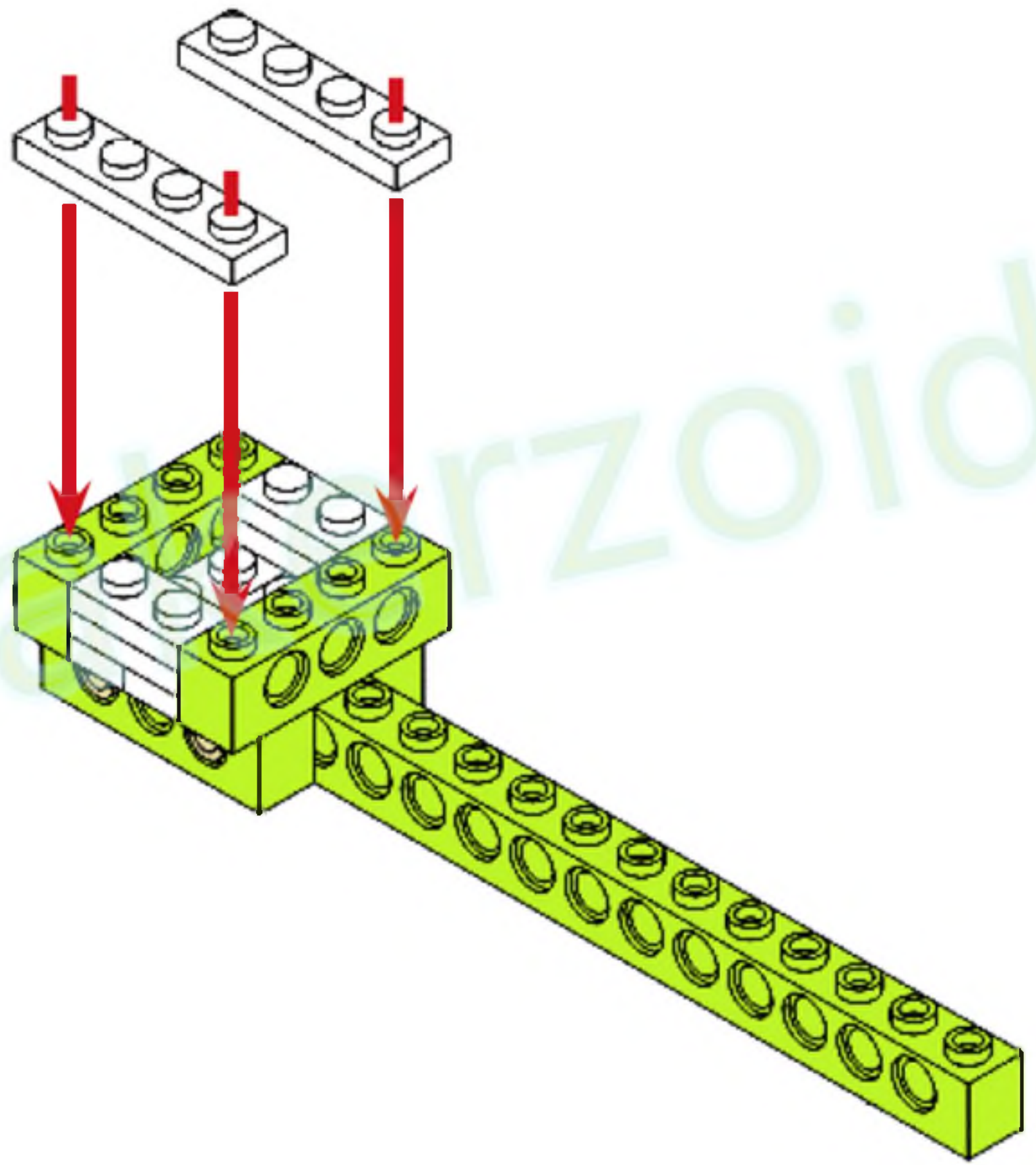




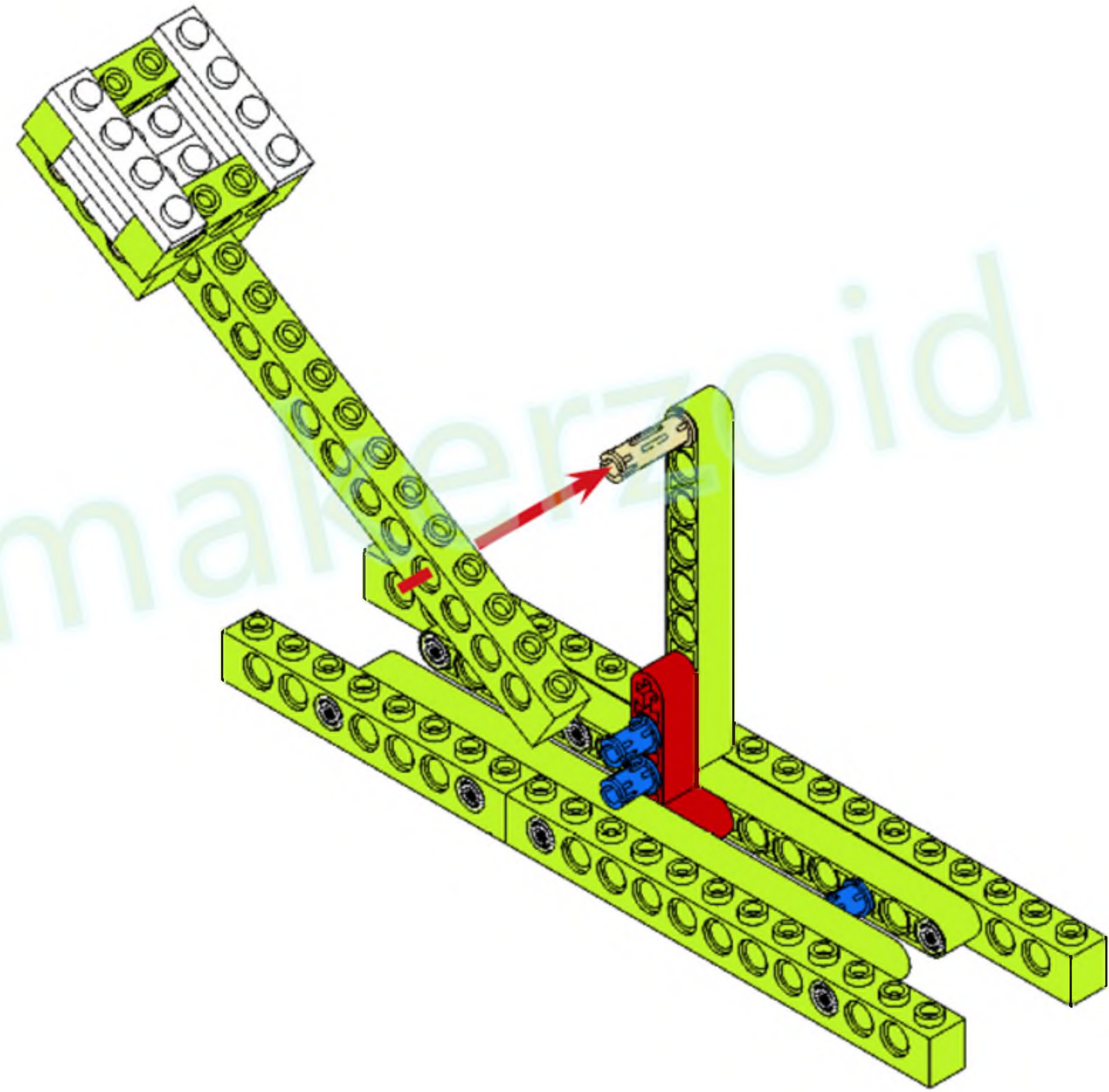
marzoid



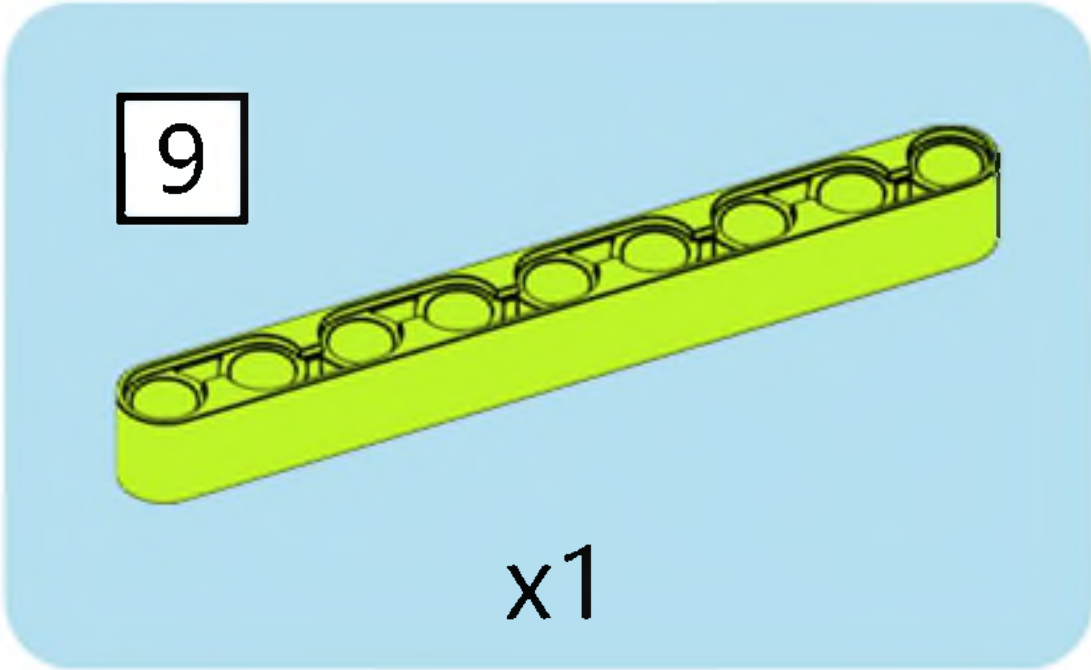
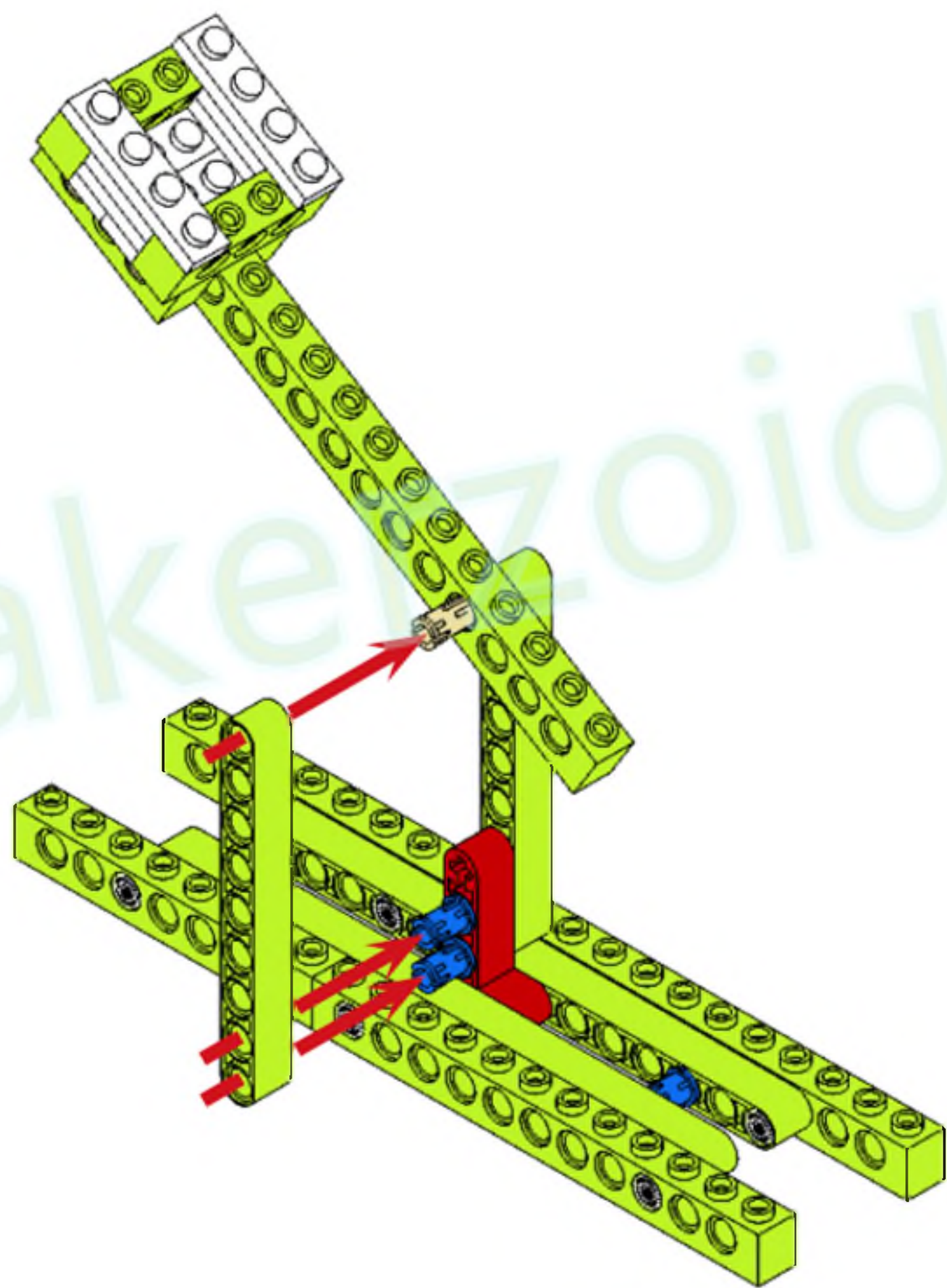




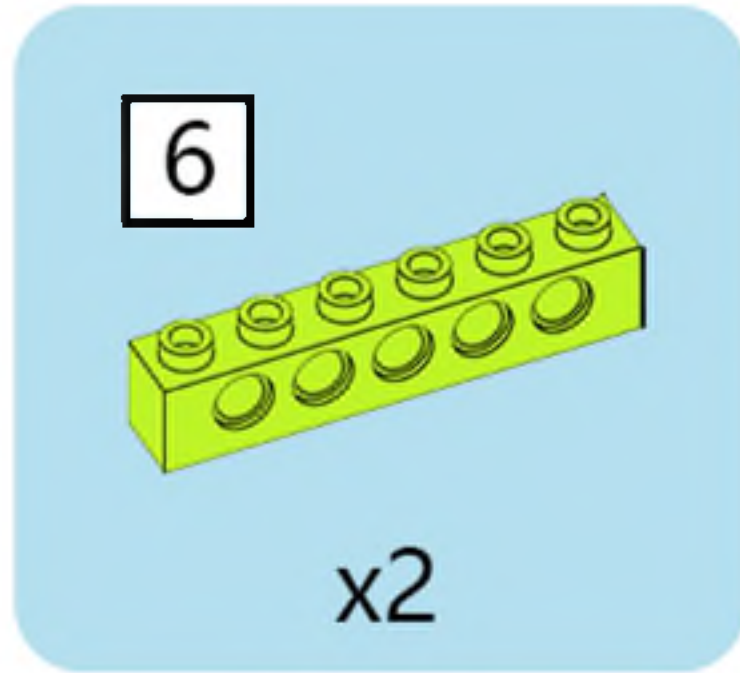
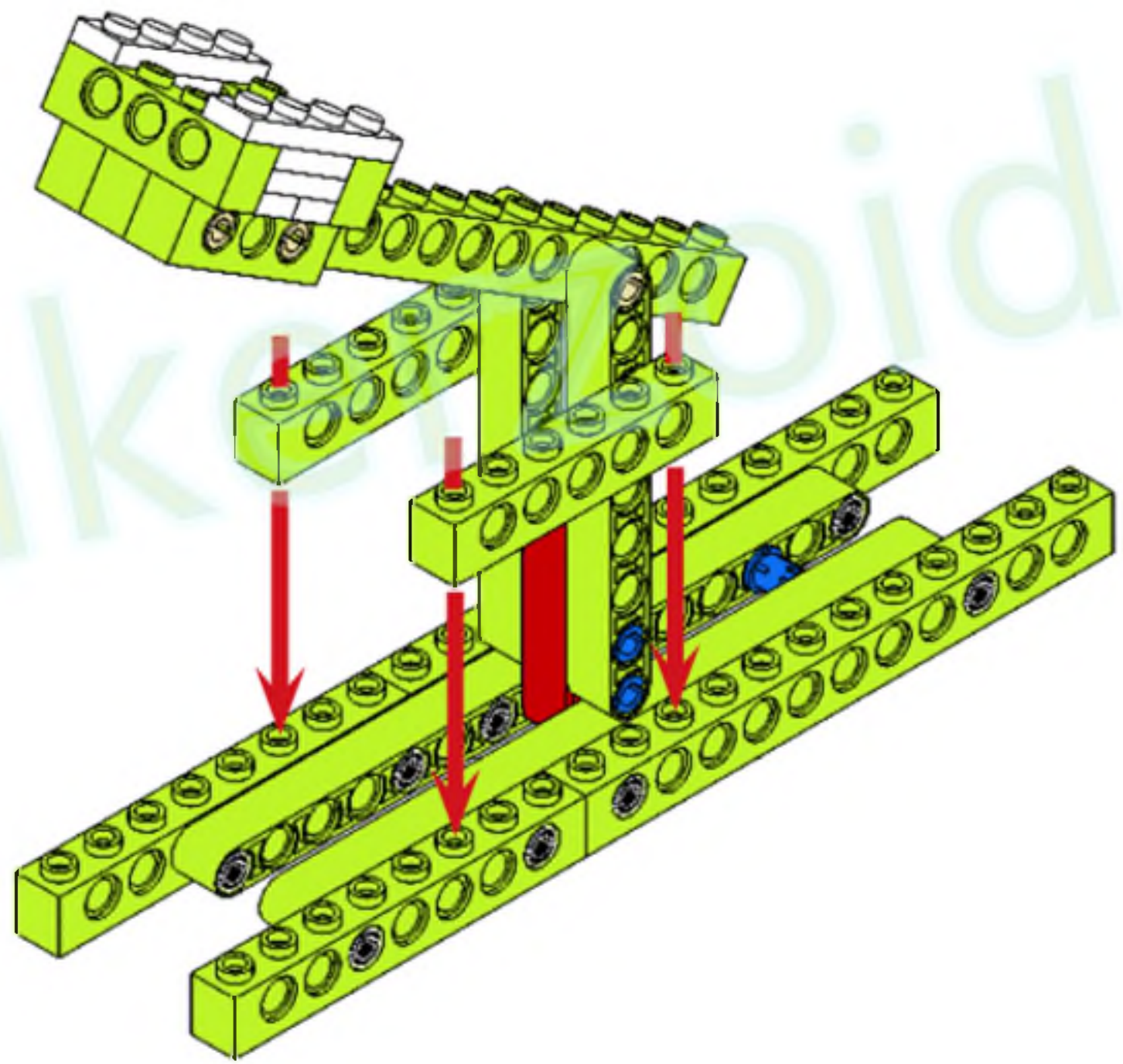


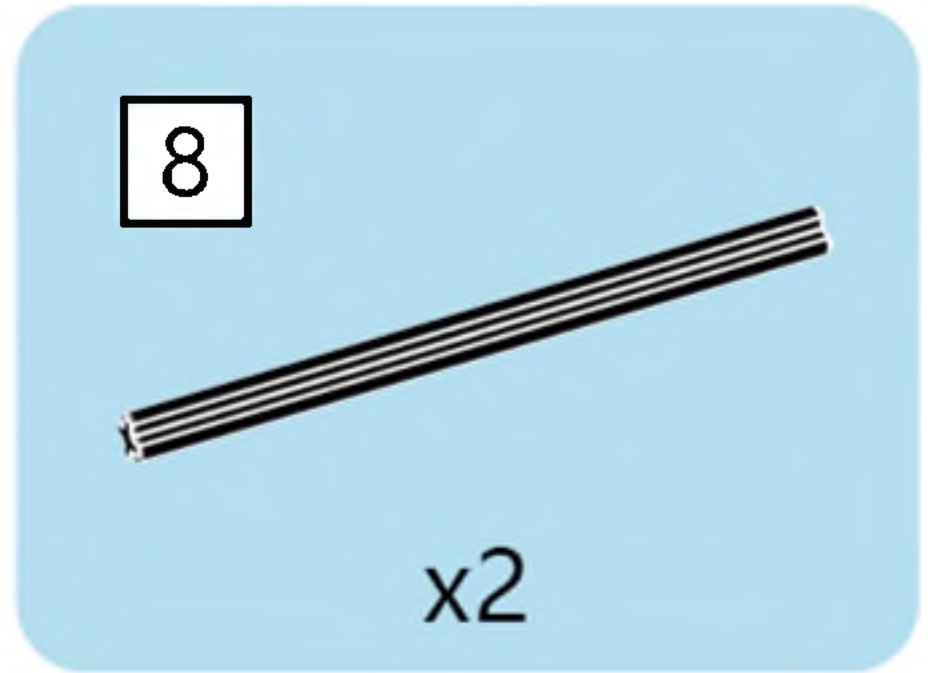
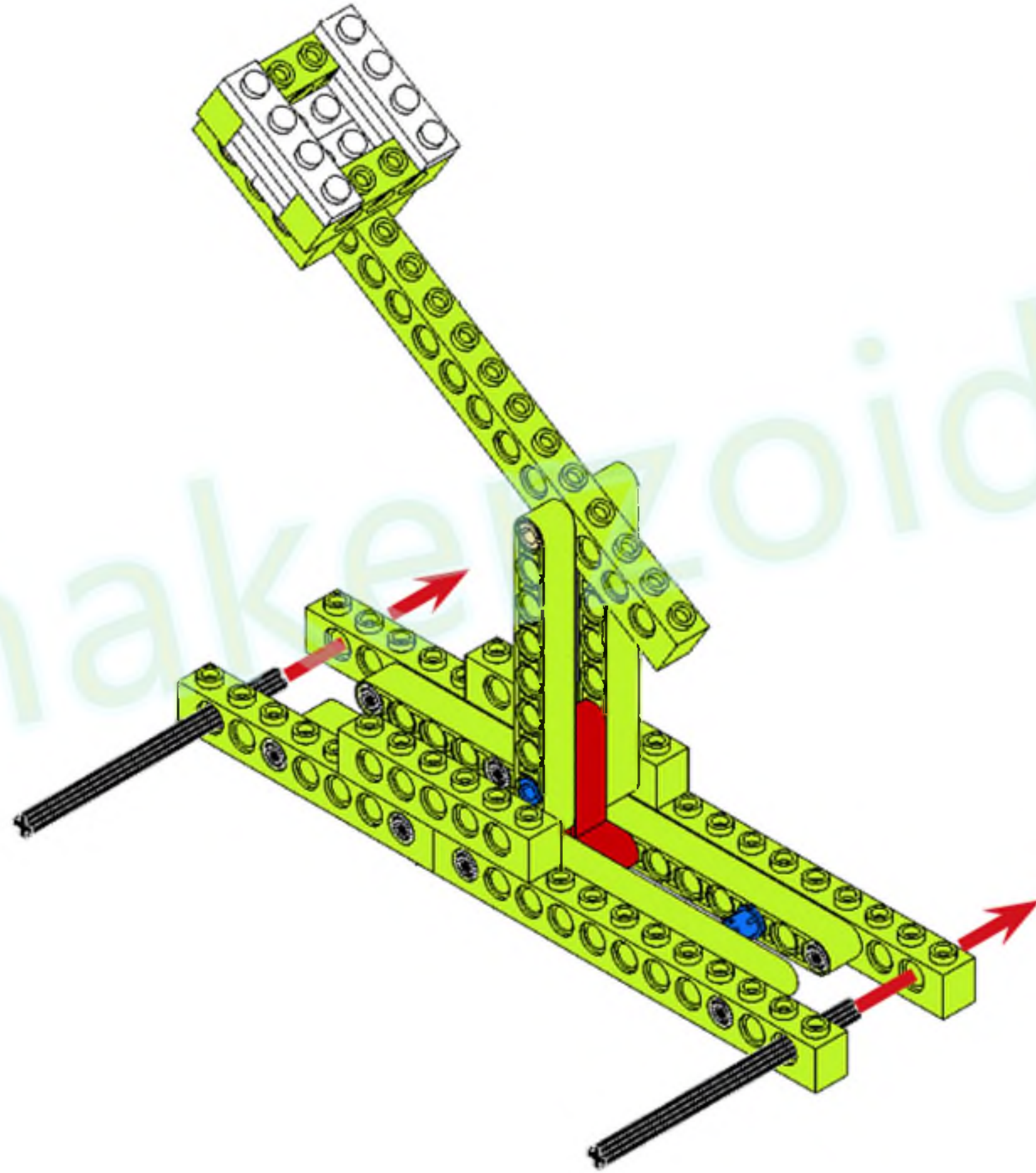


makezoid

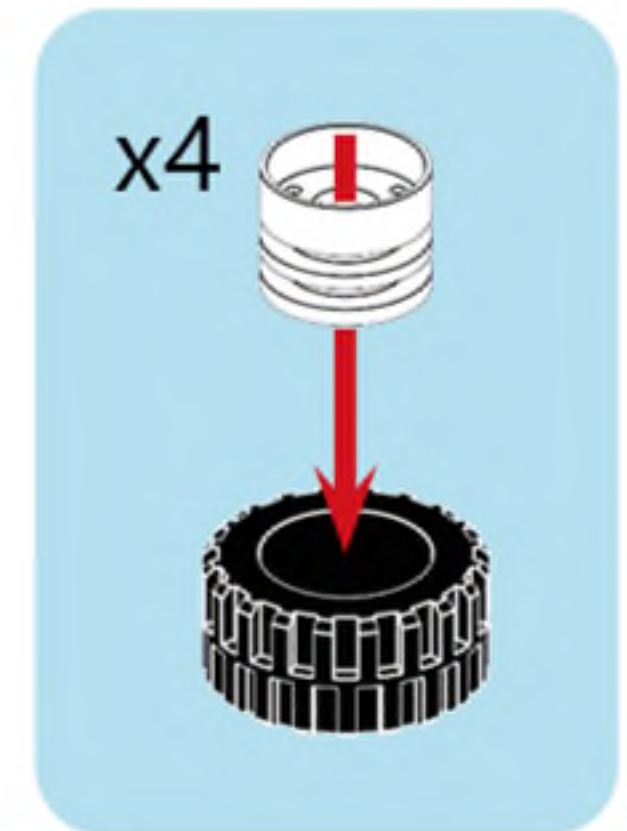
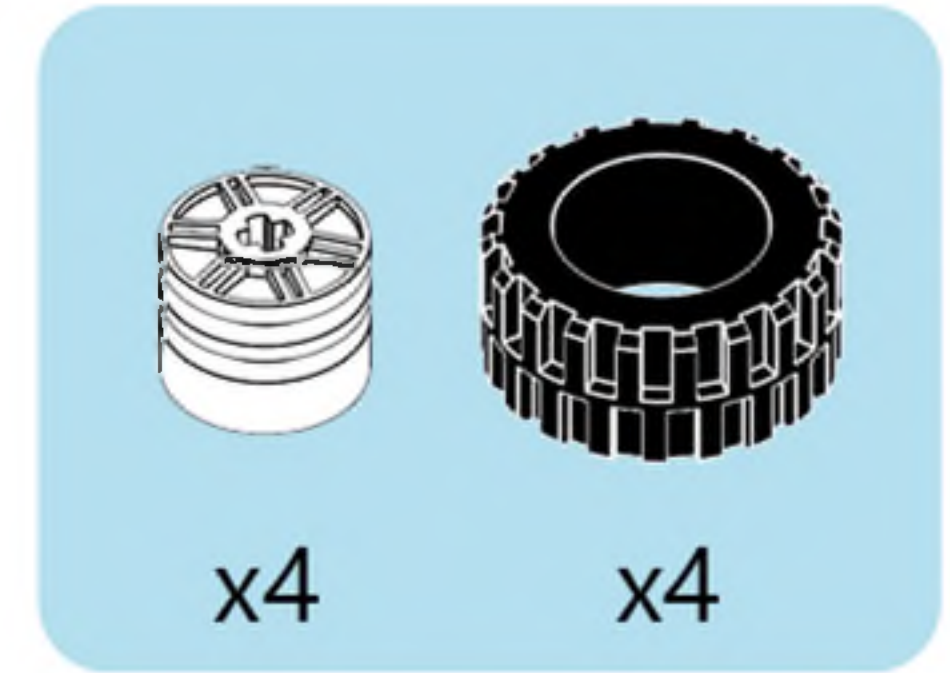


makeoid





makezoid





x1



x1

makezoid

makezoid

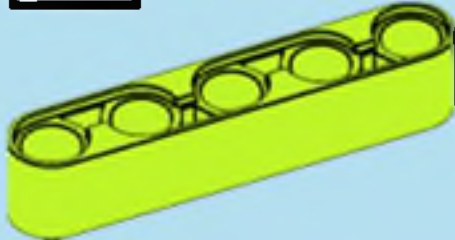


橡皮筋 X1

makezoid



5




x2



makezoid

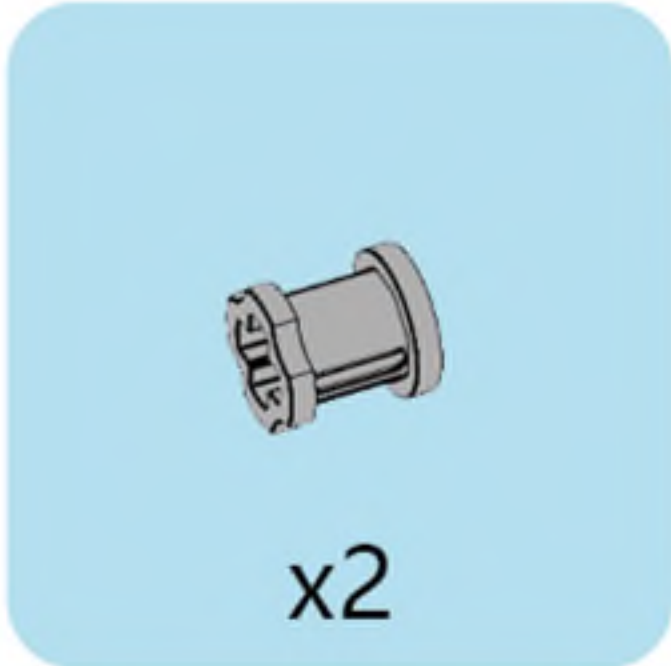
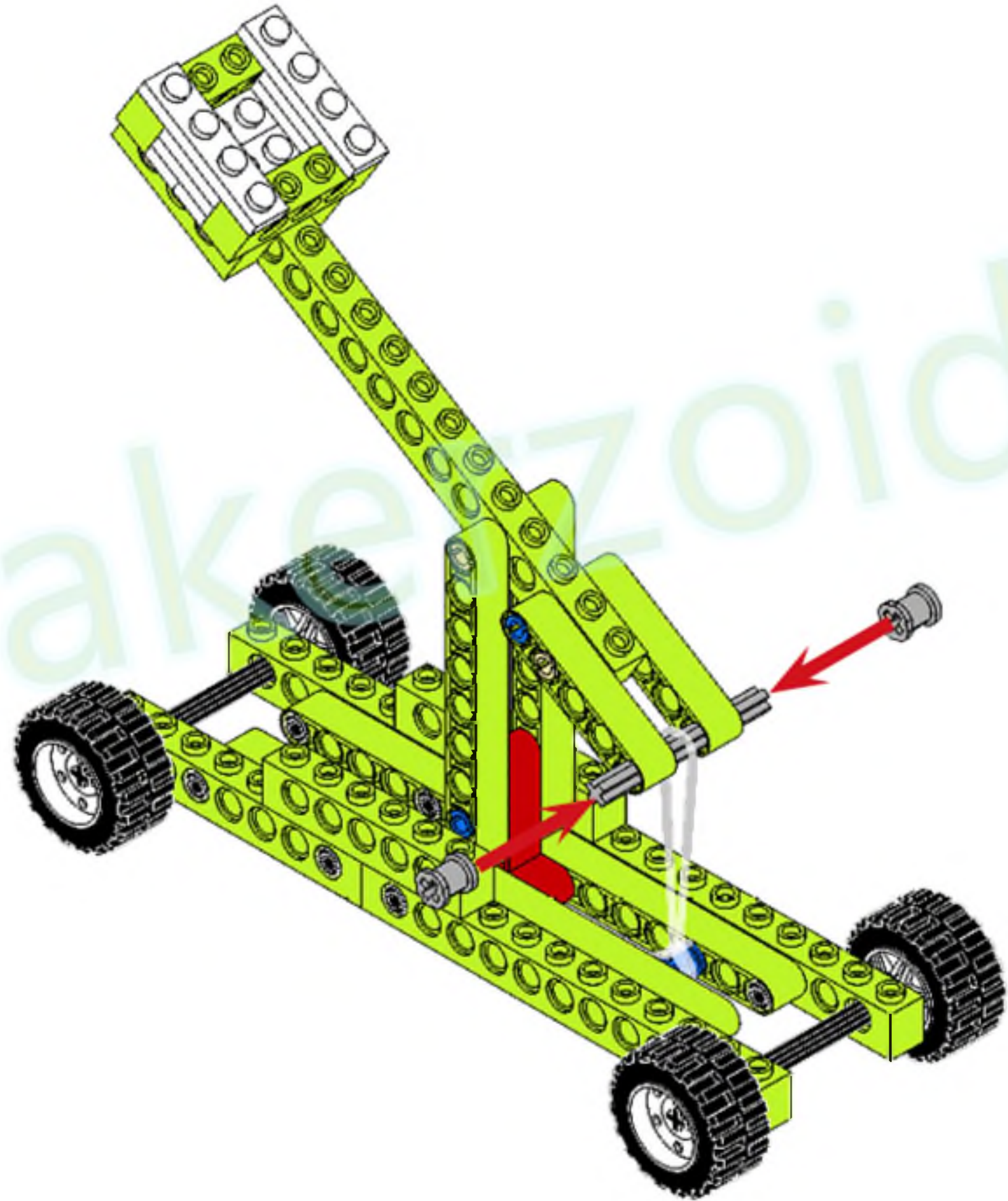


5



x1

makezoid





makezoid